

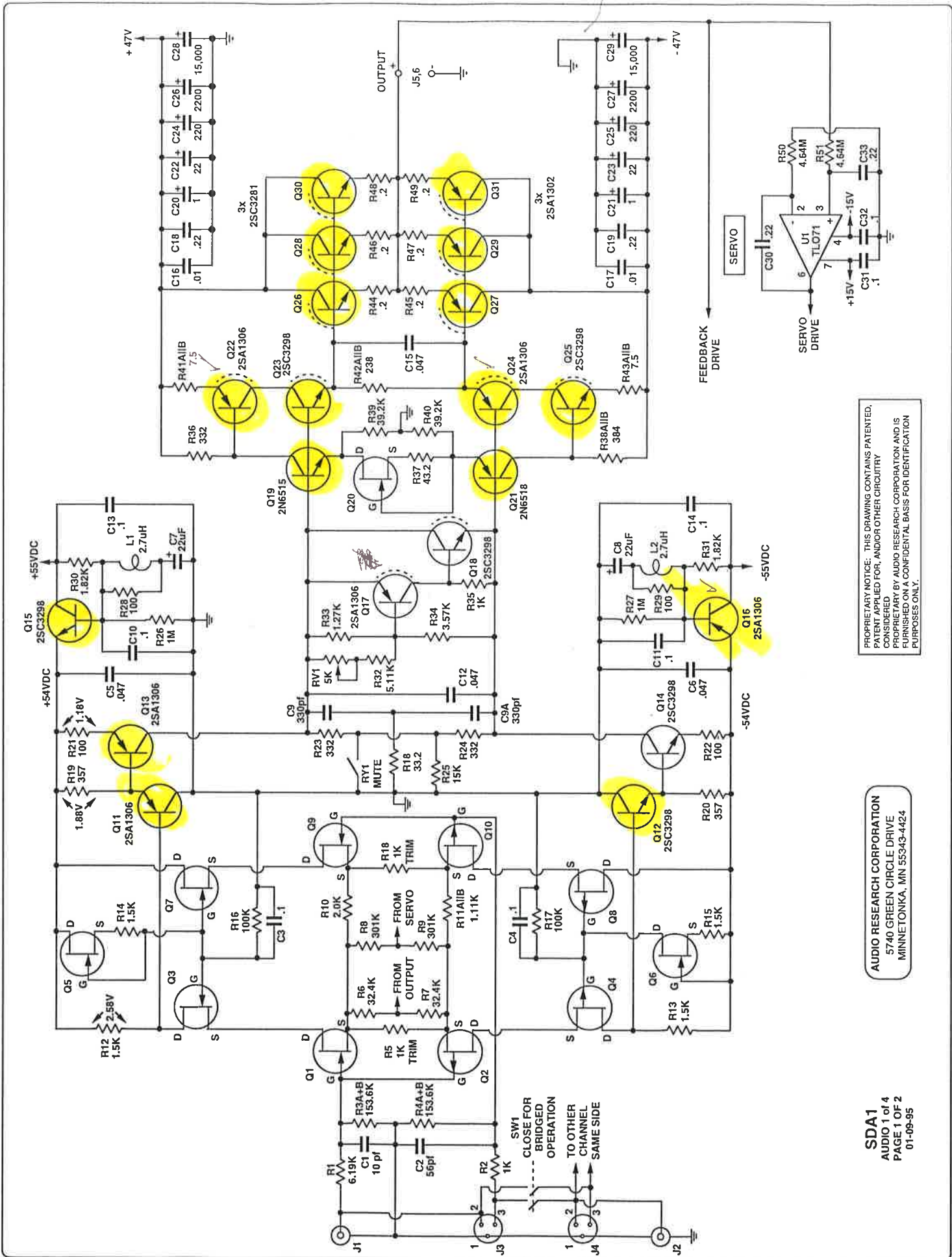
audio research

H I G H D E F I N I T I O N[®]

5740 GREEN CIRCLE DRIVE / MINNETONKA, MINNESOTA 55343-4424 / PHONE 612/939-0600 FAX 612/939-0604

SDA1 AMPLIFIER
SCHEMATIC
AND PARTS LIST

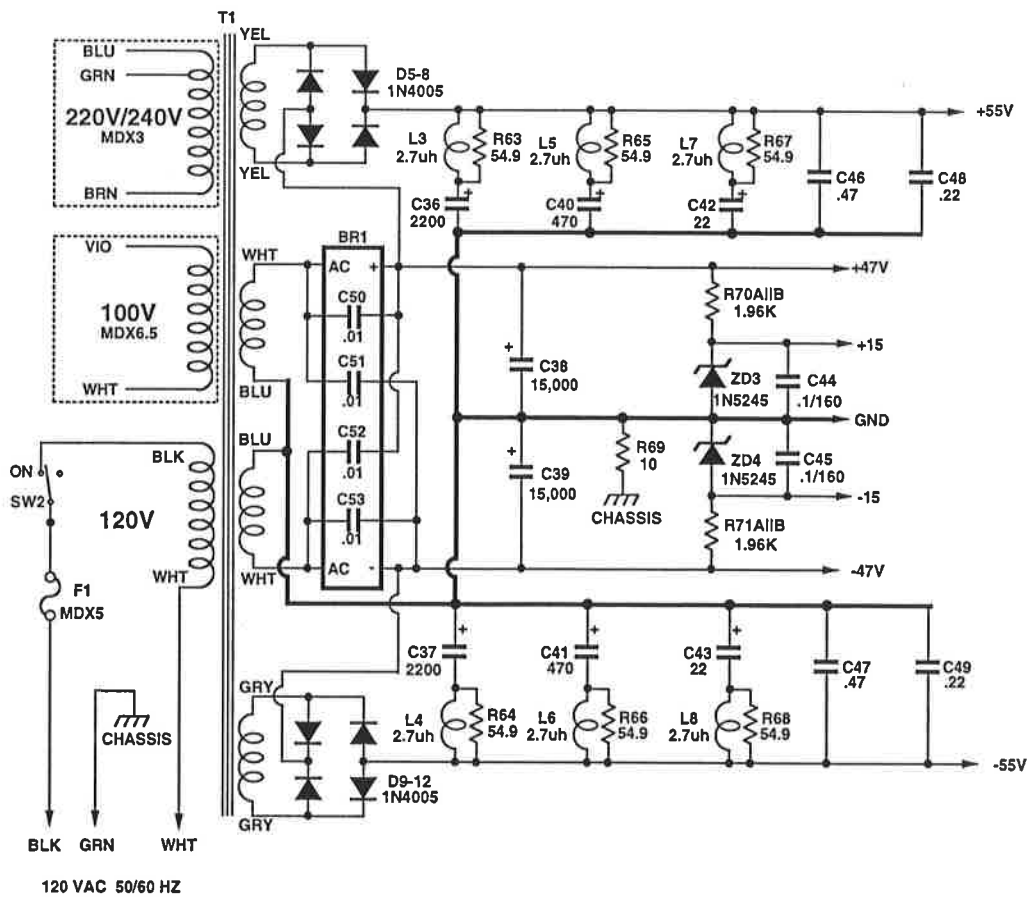
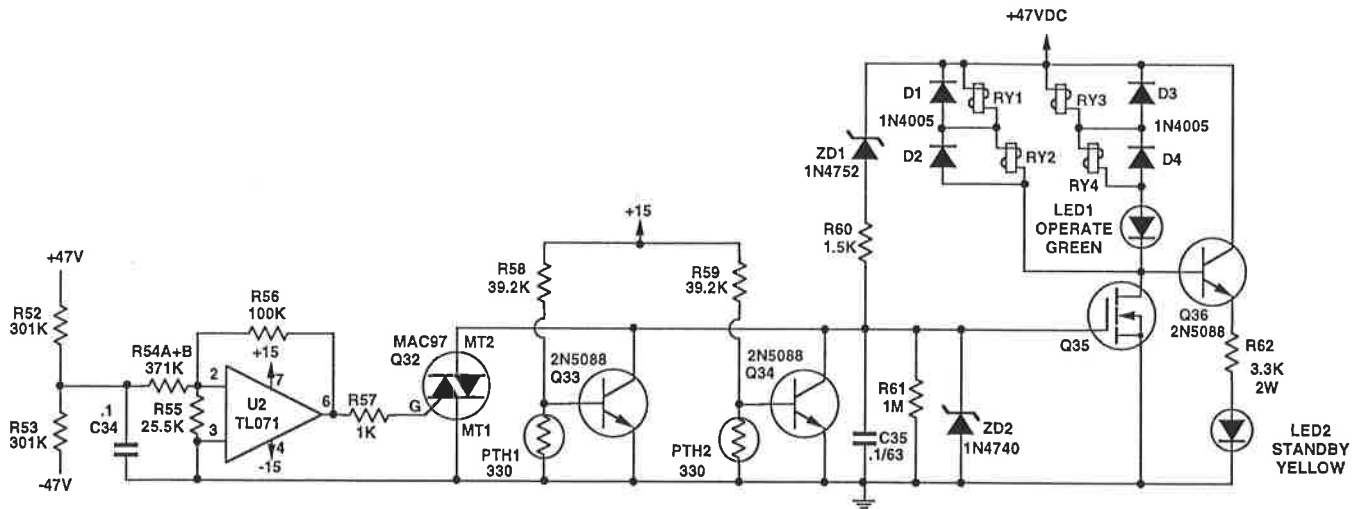
1-9-95



PROPRIETARY NOTICE: THIS DRAWING CONTAINS PATENTED, PATENT APPLIED FOR, AND/OR OTHER CIRCUITRY CONSIDERED PROPRIETARY BY AUDIO RESEARCH CORPORATION AND IS FURNISHED ON A CONFIDENTIAL BASIS FOR IDENTIFICATION PURPOSES ONLY.

AUDIO RESEARCH CORPORATION
5740 GREEN CIRCLE DRIVE
MINNETONKA, MN 55343-4424

SDA1
AUDIO 1 of 4
PAGE 1 OF 2
01-09-95



PARTS LIST

As of MAY 17 95

PRODUCT: SDA1

NOTES:

Schematic Symbol	Quantity	ARC Part #	Description
			BR BRIDGE RECTIFIER
BR1	1	30501930	BRIDGE RECTIFIER, 35MB20A
			C CAPACITORS
C1	4	53100101	CAP. 10 PF +/-1 PF 630V PPN
C2	4	53560103	CAP. 56 PF +/-2% 630V DPN
C3,4,10,11,13,14,31,32,34,44,45	35	53100506	CAP. .1 UF 160V
C5,6,12,15	16	53470402	CAP. 0.047 UF 160V 10%
C7,8,42,43	10	50220701	CAP. 22 UF 100V
C9,9A	8	53330201	CAP. 330 PF ±2.5% 630V PPN
C16,17	8	53100410	CAP. .01 UF 400V MKP10
C18,19,30,33,48,49	18	53220507	CAP. .22 UF 10% 160V
C20,21	8	50100601	CAP. 1UF 63V
C22,23	8	50220702	CAP. 22UF 50V
C24,25	8	50220801	CAP. 220UF 50V
C26,27,36,37	10	50220904	CAP. 2200 UF 63V.
C28,29,38,39	10	50151002	CAP. 15,000 μF 50V
C35	1	53100505	CAP. .1 UF 10% 63V
C40,41	2	50470803	CAP. 470 UF 100V.
C46,47	2	53470513	CAP. 0.47 UF 160V 10% MKP10
C50-53	4	53100407	CAP. .01 UF 250V 20% MPE MALL.
			D DIODES
D1-12	12	30500400	IN4005 GENERAL INSTRUMENT
			F FUSES
F1	1	34500505	FUSE, MDX5/MDQ5
			J CONNECTORS
J1	2	23201509	CHASSIS JACK,RED
J2	2	23201510	CHASSIS JACK,WHITE
J3,4	4	23201990	XLR FEMALE INPUT
J5,6	8	10036620	BINDING POST & KNOB
			L INDUCTORS
L1-8	14	61000160	CHOKE, 2.7 UH +/- 10%
			LE PANEL INDICATOR
LE1	1	34300300	L.E.D. GREEN,D240
LE2	1	34300400	L.E.D. YELLOW,D240

PARTS LIST

As of MAY 17 95

PRODUCT: SDA1

NOTES:

Schematic Symbol	Quantity	ARC Part #	Description
PTH POSISTERS			
PTH1,2	2	47000500	POSISTOR 330 OHM PTH
Q TRANSISTORS			
Q1,9	8	30006535	FET, WHITE ORANGE GREEN
Q2,10	8	30006428	FET, GRAY,GRAY
Q3,7	8	30006526	FET, WHITE RED BLUE
Q4,8	8	30006424	FET, GRAY YELLOW
Q5,6,20	12	30006624	FET, VIOLET RED YELLOW
Q11,13)	8	30010003	2SA1306B, TESTED (ORANGE)
Q12,14)	8	30010103	2SC3298B, TESTED (ORANGE)
Q15)	4	30010101	2SC3298B, TESTED (BROWN)
Q16)	4	30010001	2SA1306B, TESTED (BROWN)
Q17,22,24	12	30010000	2SA1306B
Q18,23,25	12	30010100	2SC3298B
Q19	4	30003400	TRANSISTOR,2N6515
Q21	4	30003500	TRANSISTOR,2N6518
Q26,28,30	12	30010300	2SC3281
Q27,29,31	12	30010200	2SA1302
Q32	1	30007400	TRIAC MOTOROLA MAC 97-6
Q33,34,36	3	30003100	TRANSIST.,2N5088,2N5209,2N5210
Q35	1	30006727	FET, ORANGE RED VIOLET
R RESISTORS			
R1	4	42619314	RES. 6.19K 1% MK-5 50PPM
R2	4	42100314	RES. 1K 1% MK-5 50PPM
R3A,3B,4A,4B	16	42768403	RES. 76.8K 1%MK-3 50PPM
R5,18,35,57	13	42100303	RES. 1K 1% MK-3 50PPM
R6,7	8	42324403	RES. 32.4K 1% MK-3 50PPM
R 8,9	8	42301502	RES. 301K 1% MK-2 50PPM
R10,38A	8	42200303	RES. 2K MK-3 1% 50PPM
R11A	4	42287303	RES. 2.87K 1% MK-3 50PPM
R11B,30,31	12	42182303	RES. 1.82K 1% MK-3 50PPM
R12,13	8	42150312	RES. 1.5K MK-2 .1%
R14,15,60	9	42150303	RES. 1.50K 1% MK-3 50PPM
R16,17,56	9	42100503	RES. 100K+/-1% MK-3 50PPM
R18	4	42332103	RES. 33.2 OHM 1% MK-3 50PPM
R19,20	8	42357203	RES. 357 OHM 1% MK-3 50PPM
R21,22	8	42100212	RES. 100 OHM MK-2 .1%
R23,24,36	12	42332203	RES. 332 OHM 1% MK-3 50PPM
R25	4	42150414	RES. 15K 1% MK-5 50PPM
R26,27,61	9	42100603	RES. 1 MEG 1% MK-3 50PPM
R28,29	8	42100203	RES. 100 OHM 1% MK-3 50PPM
R32	4	42511303	RES. 5.11K 1% MK-3 50PPM
R33	4	42127303	RES. 1.27K 1% MK-3 50PPM
R34	4	42357303	RES. 3.57K MK3 1% 50PPM
R37	4	42432103	RES. 43.2 OHM 1% MK-3 50PPM
R38,42A,42B	12	42475203	RES. 475 OHM 1% MK-3 50PPM
R39,40,58,59	10	42392403	RES. 39.2K 1% MK-3 50PPM
R41A,41B,43A,43B	16	42150103	RES. 15 OHM 1% MK-3 50PPM
R44-49	24	43200004	RES. 0.2 OHM 5% 5W
R50,51	8	42464603	RES. 4.64 MEG. 1% MK-3 50PPM

PARTS LIST

As of MAY 17 95

PRODUCT: SDA1

NOTES:

Schematic Symbol	Quantity	ARC Part #	Description
R52,53	2	42301503	RES. 301K 1% MK-3 50PPM
R54A	1	42150503	RES. 150K 1% MK-3 50PPM
R54B	1	42221503	RES. 221K 1% MK-3 50PPM
R55	1	42255403	RES. 25.5K 1% MK-3 50PPM
R62	1	43330301	RES. 3.3K 2-3W. 10%
R63-68	6	42549103	RES. 54.9 OHM 1% MK-3 50PPM
R69	1	42100103	RES. 10 OHM 1% MK-3 50PPM
R70A,70B,71A,71B	4	42392303	RES. 3.92K 1% MK-3 50PPM
		RV	CONTROLS
RV1	4	45500301	TRIM POT, 5K 10% 15 TURN
		RY	RELAYS
RY1-4	4	64101300	RELAY, 24V 10A PC MNT.
SL1-4	4	23202710	SHORTING LINK -, SDA1
		SW	SWITCHES
SW1	1	24102200	ROCKER SWITCH
SW2,3	2	24102500	SWITCH, SDA1
		T	TRANSFORMERS
T1	1	60010200	XFR. D200 120V.
		V	VACUUM TUBES
V1,2	5	31001900	J FET INPUT OP-AMP
		ZD	ZENER DIODES
ZD1	1	30503000	IN4752A
ZD2	1	30500300	IN4740A
ZD3,4	2	30501800	IN5245B