

PRIORITY NOTICE

THESE PRINTS CONTAIN PATENTED AND/OR OTHER INFORMATION CONSIDERED PROPRIETARY BY AUDIO RESEARCH CORPORATION, AND ARE FURNISHED ON A CONFIDENTIAL BASIS FOR IDENTIFICATION PURPOSES ONLY

audio research corporation

6801 SHINGLE CREEK PARKWAY
MINNEAPOLIS, MINNESOTA 55430

SP-10
"MAG" PADO
INPUT SECTION
PAGE 3 OF 5 SHEETS
PRELIMINARY

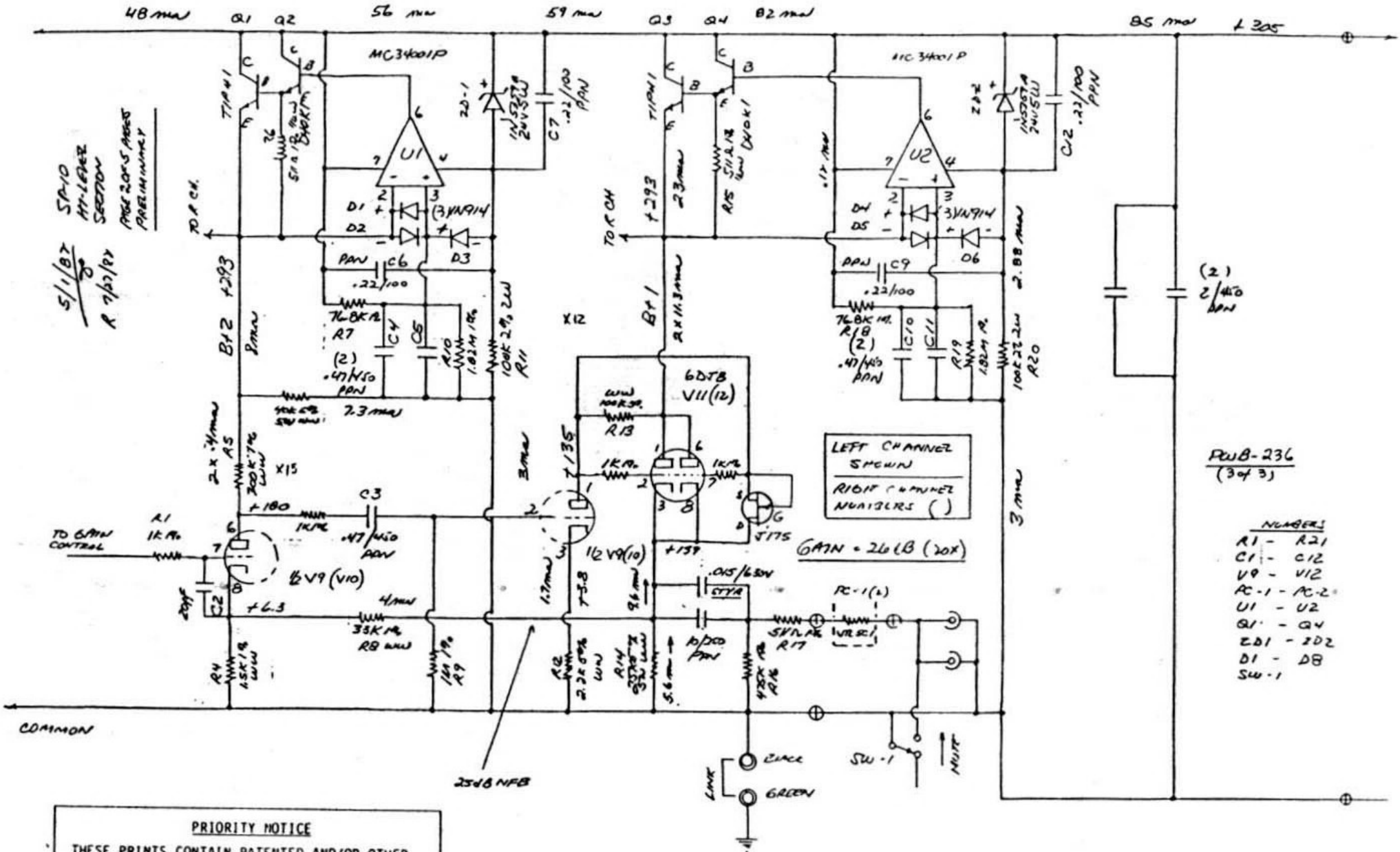
5/2/82
R 7/27/82

LEFT CHANNEL SHOWN
RIGHT CHANNEL
NUMBERS IN ()

- NUMBERS**
- R40 - R80
 - C30 - C45
 - V1 - V8
 - U4 - U6
 - 2D13 - 2D17
 - D24 - D31
 - Q5 - Q12
 - SW 4 - SW 5

CIRCUITRY PATENT PENDING

COMMON



5/1/87
R 7/27/87

SP-10
HY-LEAF
SECTION

PROG 200'S AREAS
PRELIMINARY

PRIORITY NOTICE

THESE PRINTS CONTAIN PATENTED AND/OR OTHER INFORMATION CONSIDERED PROPRIETARY BY AUDIO RESEARCH CORPORATION, AND ARE FURNISHED ON A CONFIDENTIAL BASIS FOR IDENTIFICATION PURPOSES ONLY

audio research corporation

6801 SHINGLE CREEK PARKWAY
MINNEAPOLIS, MINNESOTA 55430

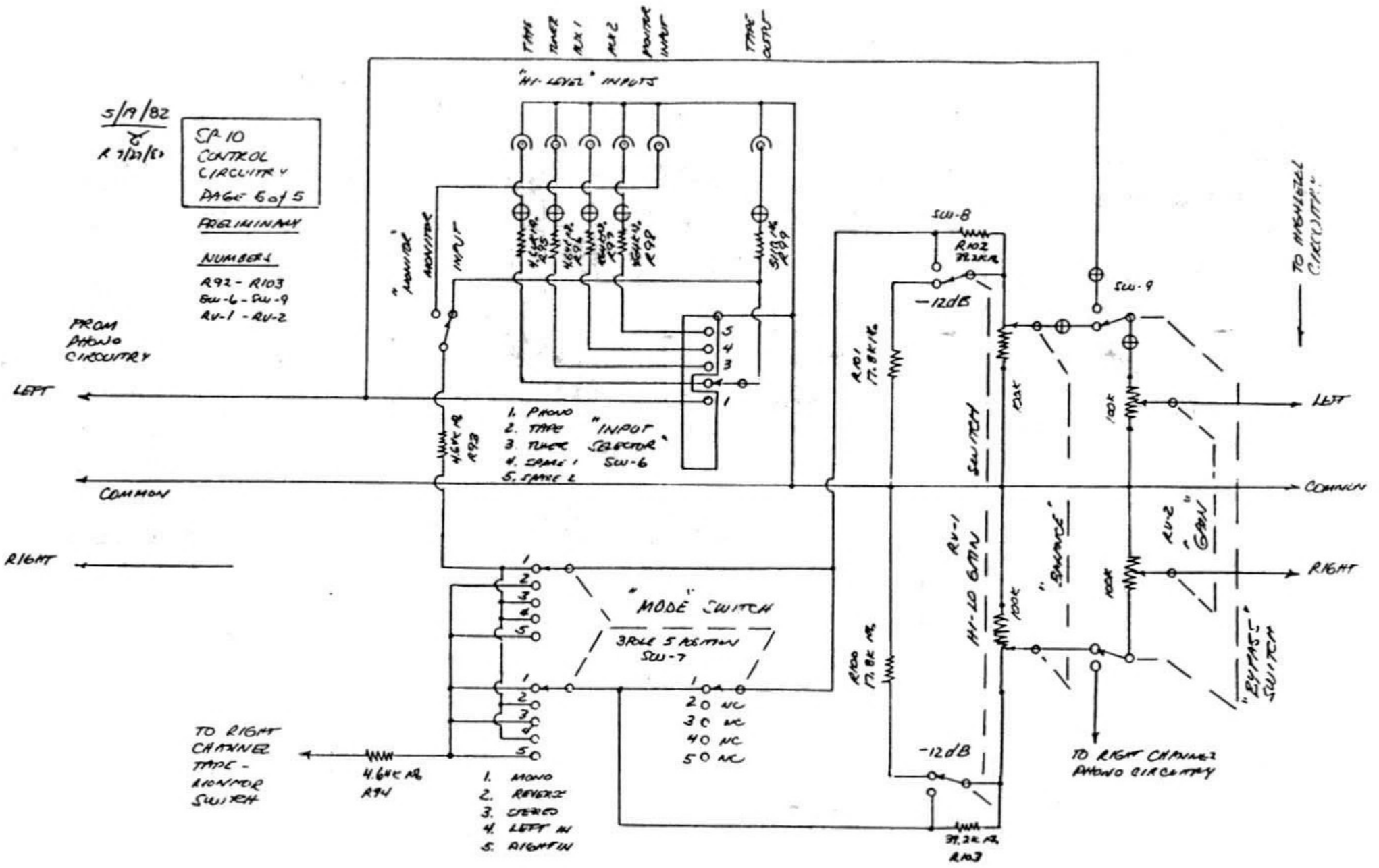
5/19/82
 R 7/22/81

SP-10
 CONTROL
 CIRCUITRY
 PAGE 6 of 5

PRELIMINARY

NUMBER 4

R92 - R103
 SW-6 - SW-9
 RV-1 - RV-2



TO RIGHT CHANNEL
 TYPE -
 MONOPHONIC
 SWITCH

PRIORITY NOTICE

THESE PRINTS CONTAIN PATENTED AND/OR OTHER INFORMATION CONSIDERED PROPRIETARY BY AUDIO RESEARCH CORPORATION, AND ARE FURNISHED ON A CONFIDENTIAL BASIS FOR IDENTIFICATION PURPOSES ONLY

audio research corporation

6801 SHINGLE CREEK PARKWAY
 MINNEAPOLIS, MINNESOTA 55430

