

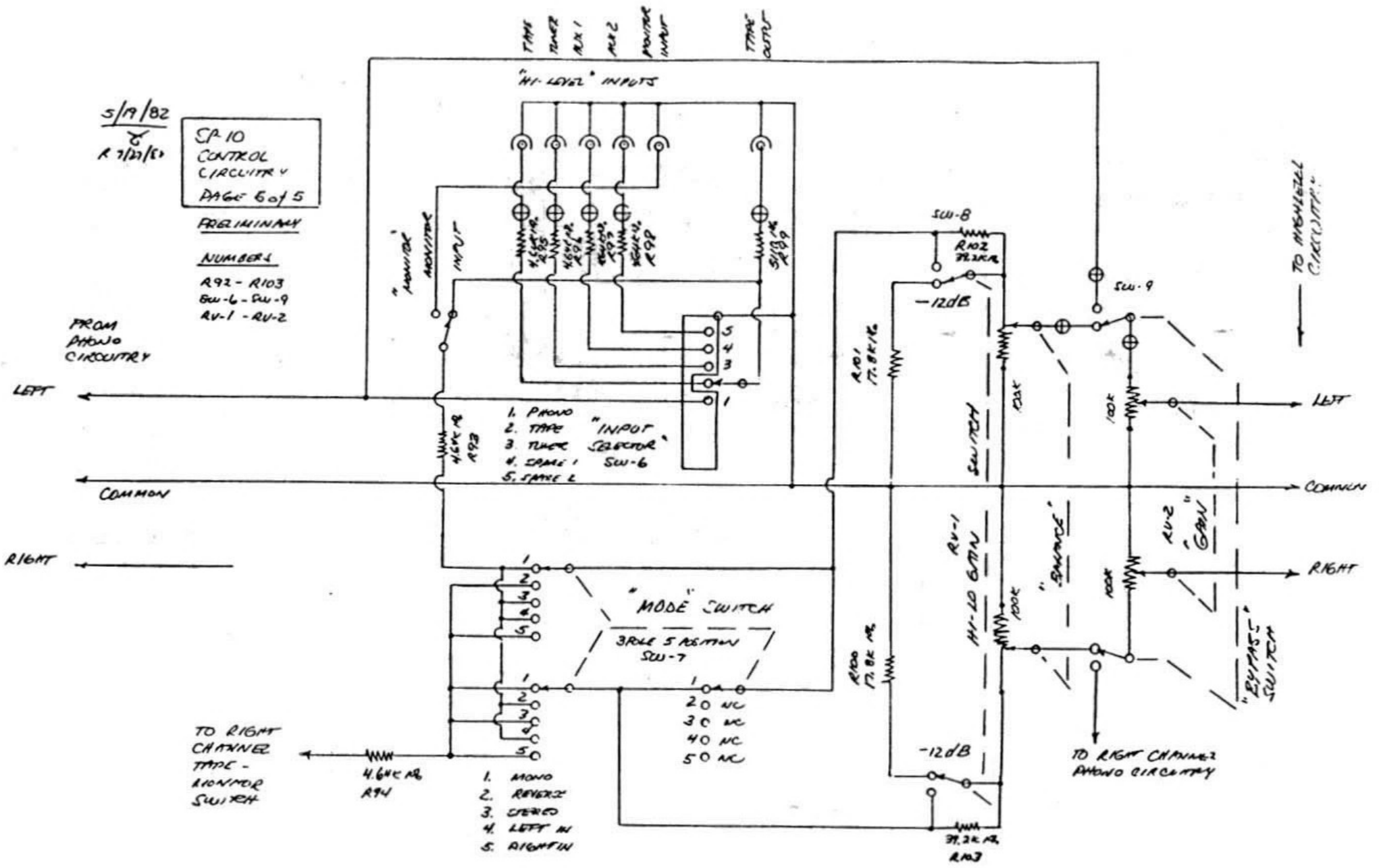
5/19/82
 R 7/22/81

SP-10
 CONTROL
 CIRCUITRY
 PAGE 6 of 5

PRELIMINARY

NUMBER 4

R92 - R103
 SW-6 - SW-9
 RV-1 - RV-2



FROM PHONO CIRCUITRY

LEFT

COMMON

RIGHT

TO RIGHT CHANNEL
 TYPE -
 MONOPH
 SWITCH

1. PHONO
2. TRM "INPUT"
3. TRM2 "SELECTOR"
4. SAME " SW-6
5. SAME L

"MODE" SWITCH
 3 POLE 5 POSITION
 SW-7

1. MONO
2. REVERSE
3. CHERO
4. LEFT IN
5. RIGHT IN

PRIORITY NOTICE

THESE PRINTS CONTAIN PATENTED AND/OR OTHER INFORMATION CONSIDERED PROPRIETARY BY AUDIO RESEARCH CORPORATION, AND ARE FURNISHED ON A CONFIDENTIAL BASIS FOR IDENTIFICATION PURPOSES ONLY

audio research corporation

6801 SHINGLE CREEK PARKWAY
 MINNEAPOLIS, MINNESOTA 55430