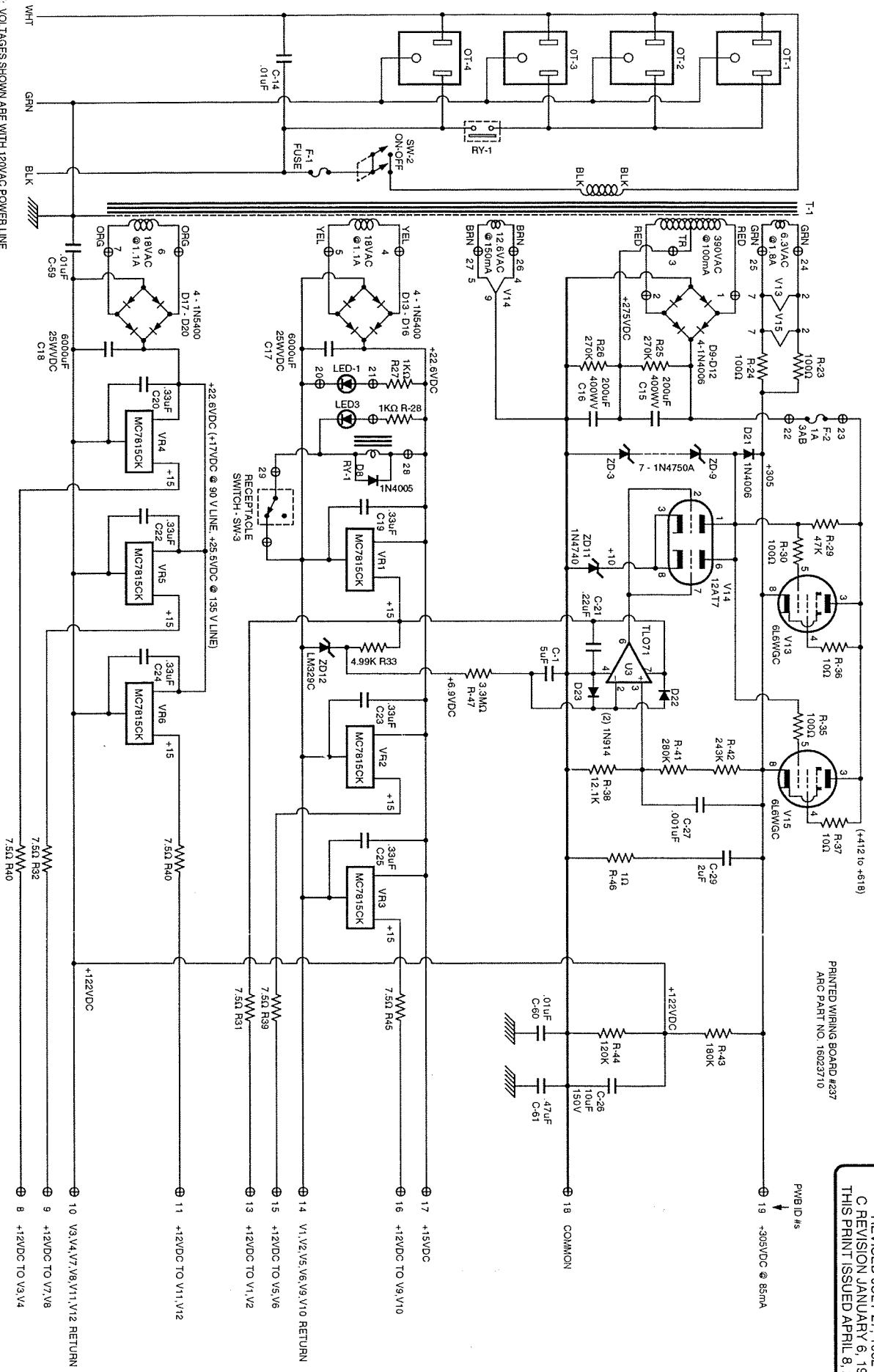


SP-10 PREAMPLIFIER

SCHEMATICS

REVISION C - JANUARY 6, 1986
REDRAWN APRIL 2003

SEPTEMBER 27, 1997
APRIL 8, 2003



NOTE: VOLTAGES SHOWN ARE WITH 120VAC POWER LINE
OPERATING RANGE: 90VAC to 135VAC

PROPRIETARY NOTICE: Patented,
Patent Pending, and/or otherwise considered
PROPRIETARY

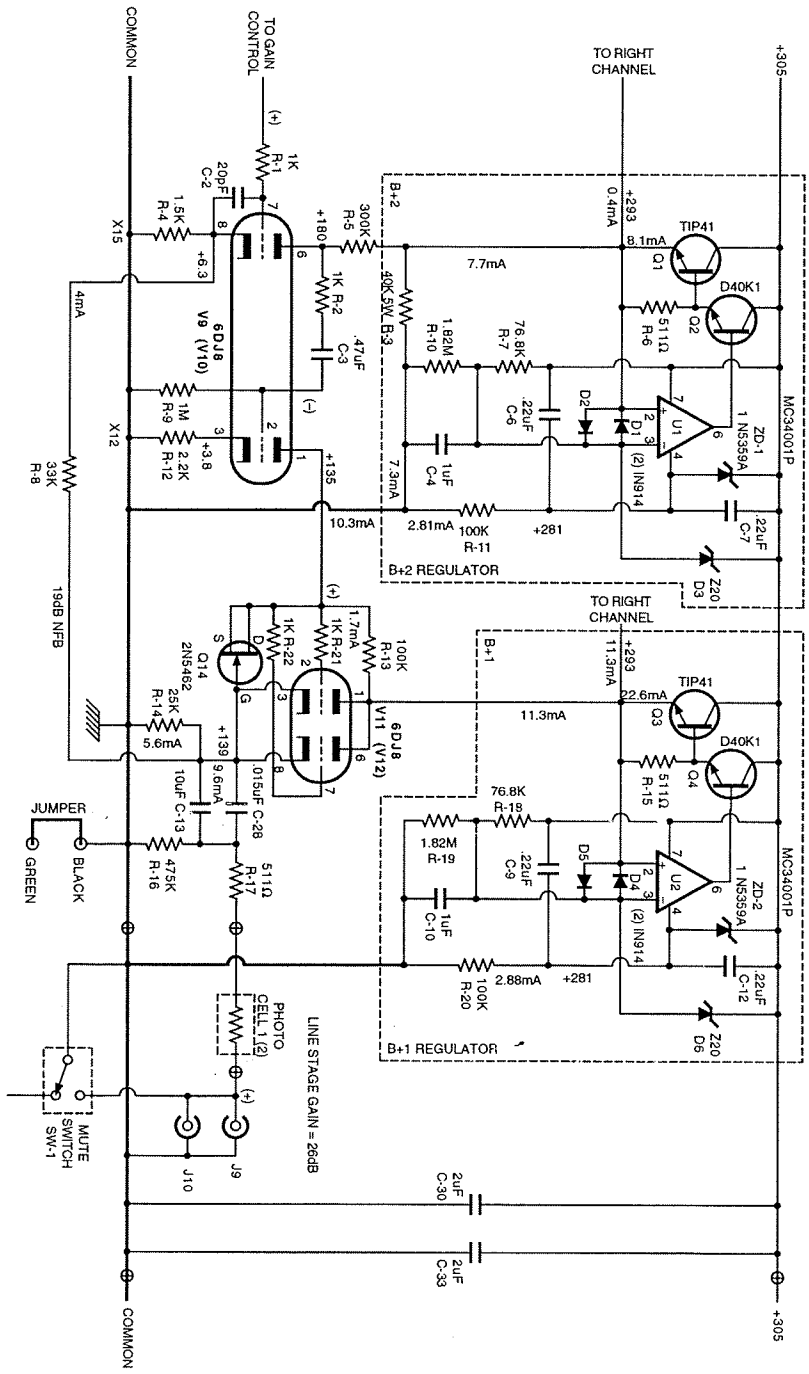
by AUDIO RESEARCH CORPORATION,
and is furnished on a CONFIDENTIAL
basis for identification purposes only
NO LICENSE FOR USE IS HEREBY GRANTED.

F-1: 120VAC: 1.50A SLO
240VAC: 0.75A SLO

NOTE: T-1 CHANGES PART NUMBER
FOR DIFFERENT PRIMARY VOLTAGES.
VALUE OF F-1 FUSE CHANGES ALSO.

PRINTED WIRING BOARD #237
ABC PART NO. 16023710

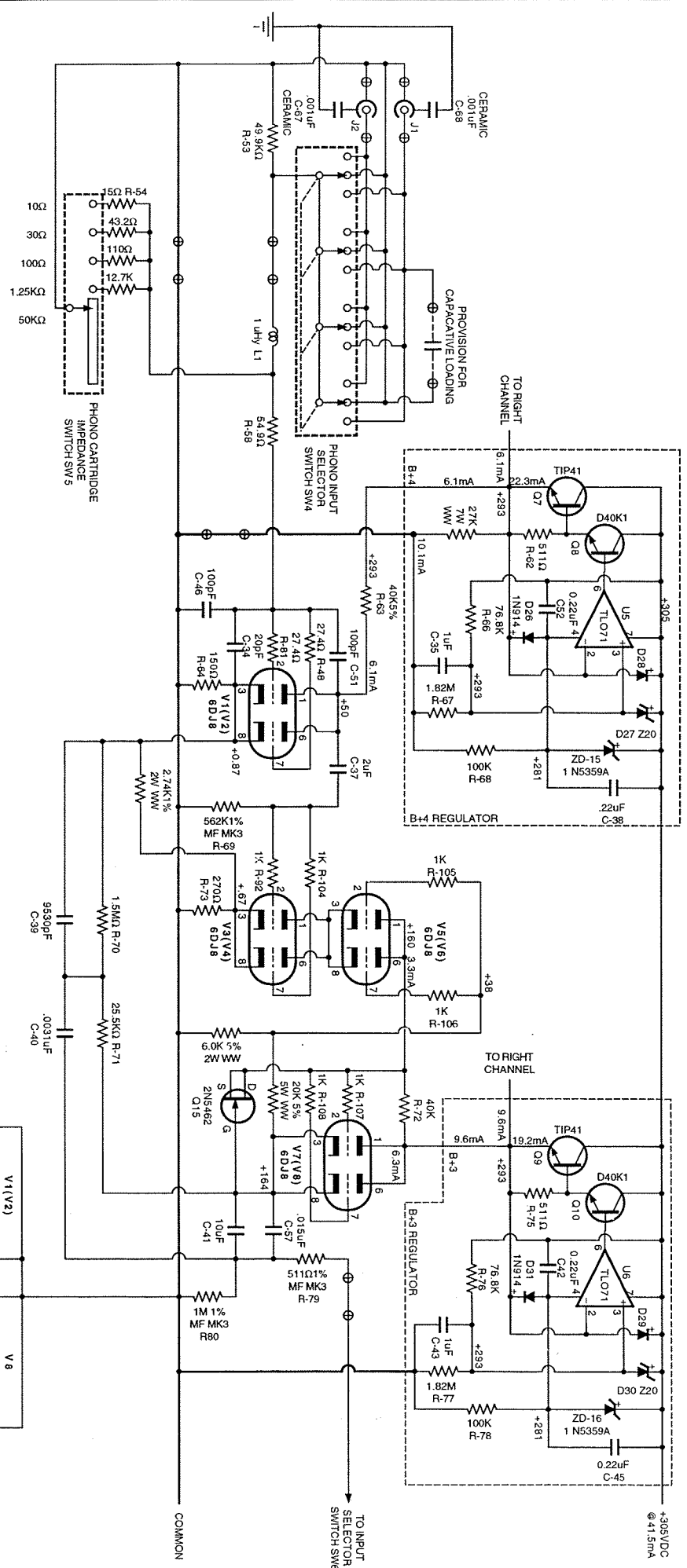
VACUUM-TUBE PREAMPLIFIER
MODEL SP-10 REVISION C
POWER SUPPLY CIRCUITS
ORIGINAL DRAWING MAY 2, 1982
REVISED JULY 27, 1982
C REVISION JANUARY 6, 1986
THIS PRINT ISSUED APRIL 8, 2003



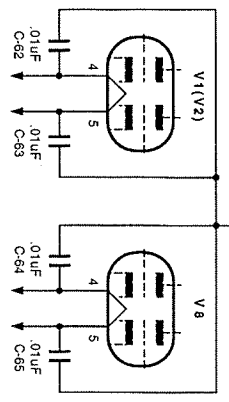
PART of PWB 236

PROPRIETARY NOTICE:
 This drawing contains circuitry that is Patented,
 Patent Pending, and/or otherwise considered
PROPRIETARY
 by AUDIO RESEARCH CORPORATION,
 and is furnished on a **CONFIDENTIAL**,
 basis for identification purposes only.
NO LICENSE FOR USE IS HEREBY GRANTED.

AUDIO RESEARCH CORPORATION
 3900 ANNAPOLIS LANE NORTH
 PLYMOUTH, MN 55447-5447
 TELEPHONE: (763) 577-9700
 FACSIMILE: (763) 577-0323

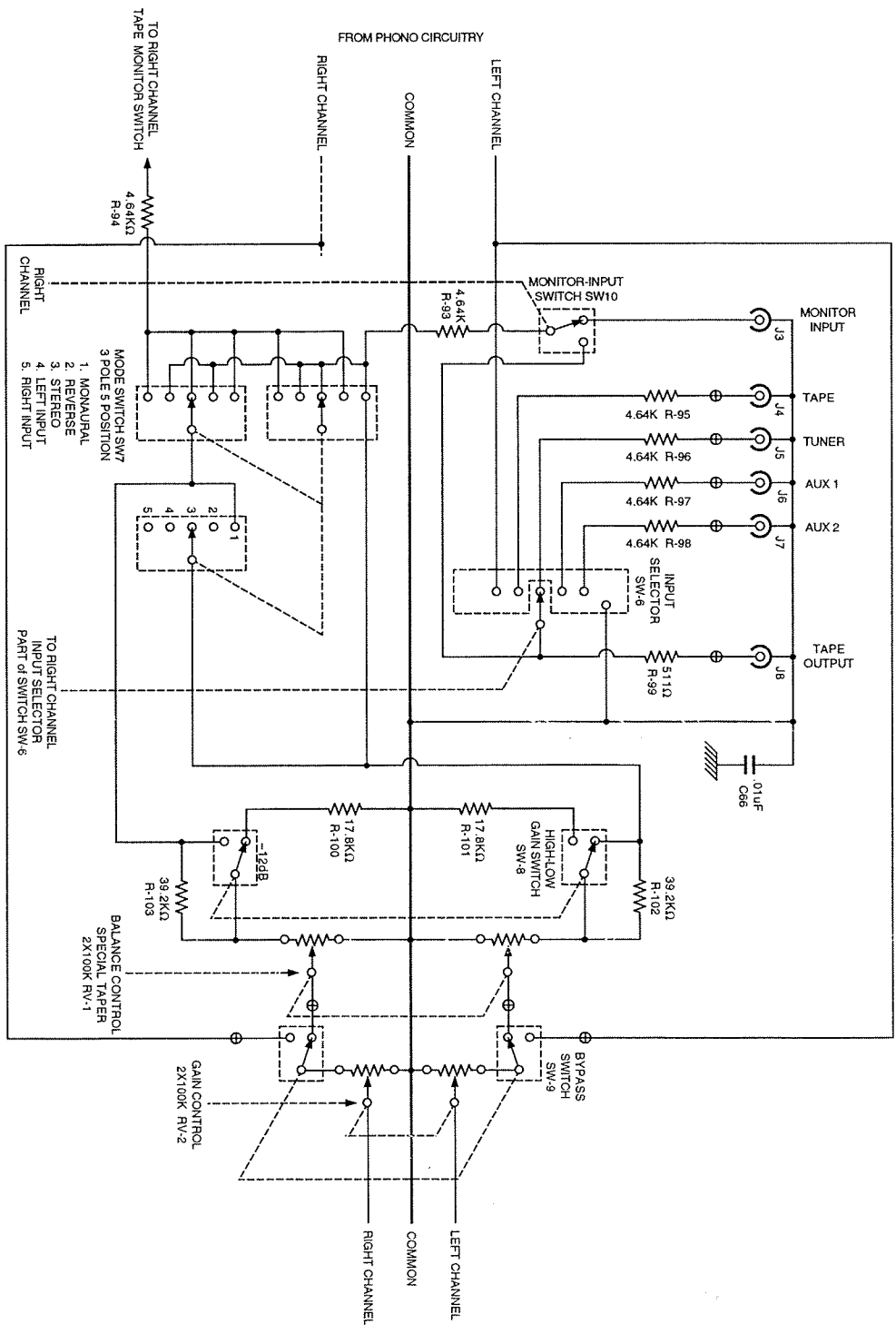


PART of PWB 236



PROPRIETARY NOTICE:
 This drawing contains circuitry that is Patented,
 Patent Pending, and/or otherwise considered
 PROPRIETARY
 by AUDIO RESEARCH CORPORATION,
 and is furnished on a CONFIDENTIAL
 basis for identification purposes only.
 NO LICENSE FOR USE IS HEREBY GRANTED.

AUDIO RESEARCH CORPORATION
 3900 ANNAPOLIS LANE NORTH
 PLYMOUTH, MN 55447-5447
 TELEPHONE: (763) 577-9700
 FACSIMILE: (763) 577-0323



PROPRIETARY NOTICE

This drawing is considered **PROPRIETARY** and is furnished on a **CONFIDENTIAL** basis for use only as directed by **AUDIO RESEARCH CORPORATION**. NO LICENSE FOR OTHER USE IS HEREBY GRANTED.