

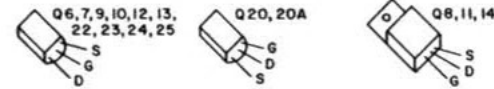
**NOTES:**

1. CAUTION - HIGH VOLTAGE - CONTACT COULD BE LETHAL.
2. CAP. IN  $\mu$ F UNLESS NOTED.
3.  $\odot$  DENOTES CABLE CONNECTOR PIN NUMBERS.  
 $\oplus$  DENOTES WIRE CONNECTION TO BOARD.
4. LEFT CHANNEL SHOWN, RIGHT CHANNEL IN PARENTHESIS WHERE DIFFERENT.
5. WHERE NOTED, MEASURE VOLTAGE THRU 1K $\Omega$  RESISTOR AT TEST PROBE TIP, TO AVOID HF INSTABILITY.
6. WHERE NOTED, "TRIM" RESISTORS MUST BE MATCHED TO INDIVIDUAL FETS OR BY FET GRADE. CONSULT FACTORY FOR REPLACEMENT.

**REVISIONS**

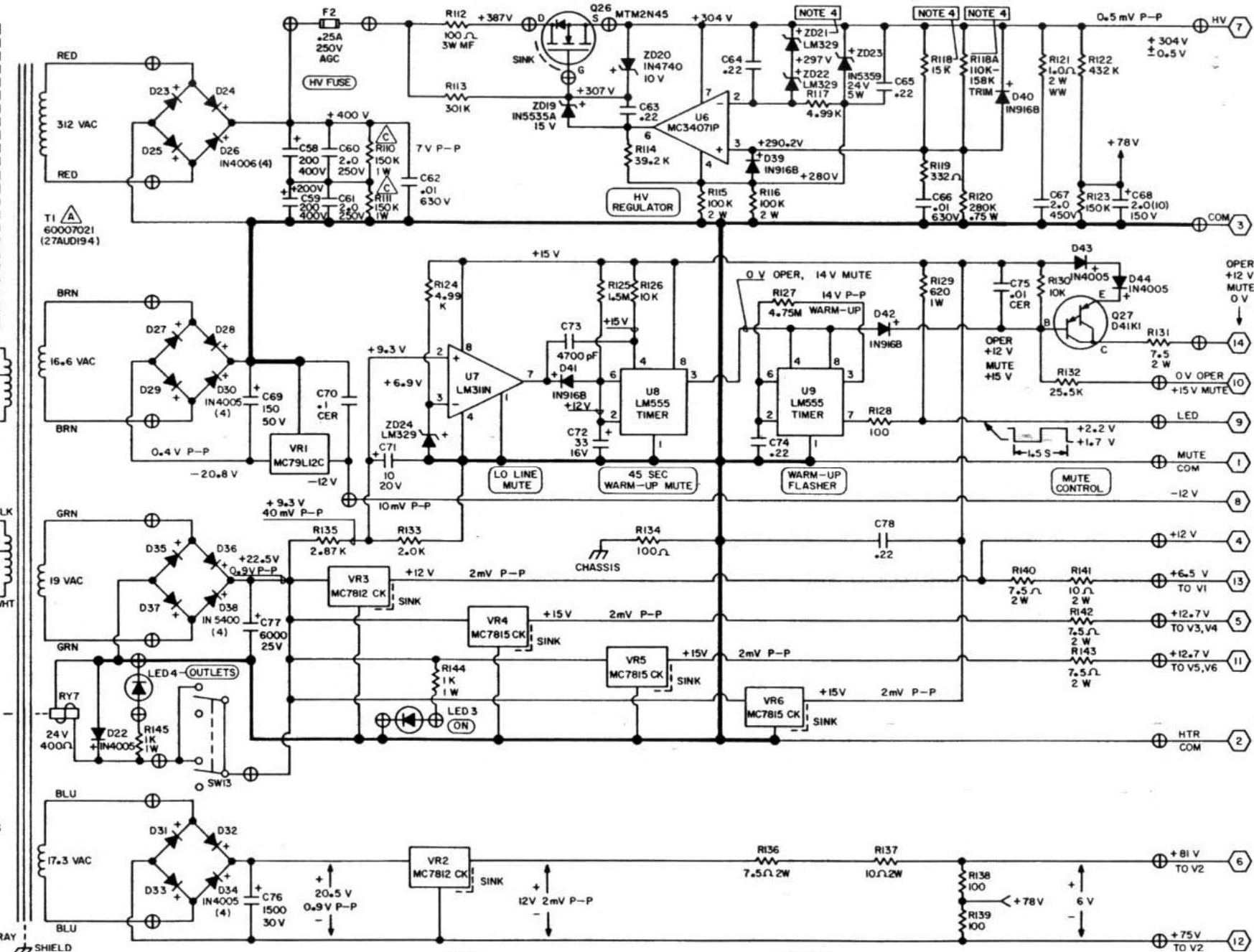
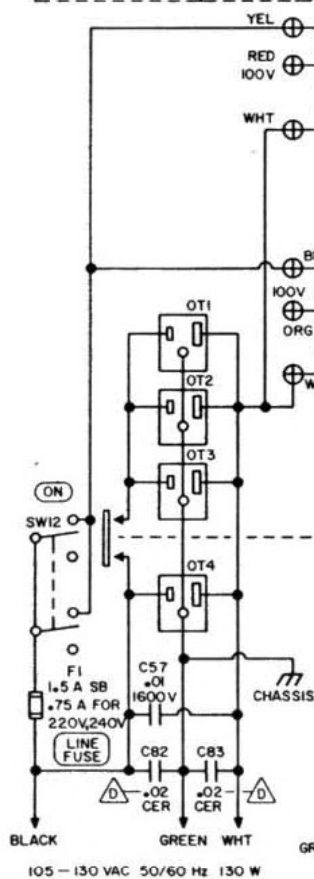
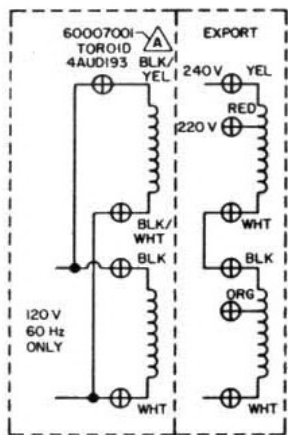
- $\Delta$  NOV 1985 V4,5 SELECTED FOR TRANSCONDUCTANCE.
- $\Delta$  JAN 1986 RV4 OLDER TYPES REPLACED BY P/N 45100529.
- $\Delta$  MAR 1986 SW1-8 IMPROVED WITH SEALED TERMINALS, WAS P/N 24100400. R22, 23, 24, 25 CHANGED, WAS P/N 30006410. (SEE PARTS LIST)
- $\Delta$  MAY 1986 C49, 53 WERE 150pF STYRENE.
- $\Delta$  JUN 1986 C49 WAS 150pF PPN, C50 WAS (2) 5pF STYRENE IN SERIES OR (2) 4pF PPN IN SERIES, C52 WAS 10pF STYRENE, R92 WAS 100K 2W.

**PROPRIETARY NOTICE**  
 THIS DRAWING CONTAINS PATENTED, PATENT APPLIED FOR, AND/OR OTHER INFORMATION CONSIDERED PROPRIETARY BY AUDIO RESEARCH AND IS FURNISHED ON A CONFIDENTIAL BASIS FOR IDENTIFICATION AND REPAIR PURPOSES ONLY.

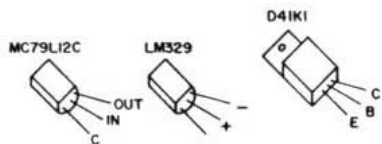


**S11 PREAMP UNIT** LINE SECTION PAGE 2 OF 3

**audio research corporation**



**PROPRIETARY NOTICE**  
 THIS DRAWING CONTAINS PATENTED, PATENT APPLIED FOR, AND/OR OTHER INFORMATION CONSIDERED PROPRIETARY BY AUDIO RESEARCH AND IS FURNISHED ON A CONFIDENTIAL BASIS FOR IDENTIFICATION AND REPAIR PURPOSE ONLY.



- NOTES:**
- CAUTION - HIGH VOLTAGE. CONTACT WITH STORED ENERGY EVEN WITH POWER OFF COULD BE LETHAL.
  - VOLTAGES ARE AT 120 VAC 60 Hz, PREAMP CONNECTED. CAPACITORS IN  $\mu$ F UNLESS NOTED.
  - $\odot$  DENOTES CABLE CONNECTOR PIN NUMBER.  
 $\oplus$  DENOTES WIRE CONNECTION TO BOARD.
  - R118, R118A MAY VARY, SELECTED FOR 304 V  $\pm 0.5$  V AT  $\odot 7$  TO MATCH ZD21, 22 USED.

- REVISIONS:**
- $\Delta$  NOV '85 TOROID T1 WAS PN60007001 60 Hz ONLY.
  - $\Delta$  JAN '86 (SEE PAGE 2)
  - $\Delta$  MAR '86 R110, R111 WERE PN4615050X 2W RES.
  - $\Delta$  MAY '86 ADDED C82, C83
  - $\Delta$  JAN '86 (SEE PAGE 2)

**SPIIPS POWER SUPPLY UNIT**

PAGE 3 OF 3  
6-23-86

**audio research corporation**  
 6801 SHINGLE CREEK PARKWAY  
 MINNEAPOLIS, MINNESOTA 55430