

REV
1/21/88

MK II

SP11 PREAMPLIFIER
SP11PS POWER SUPPLY

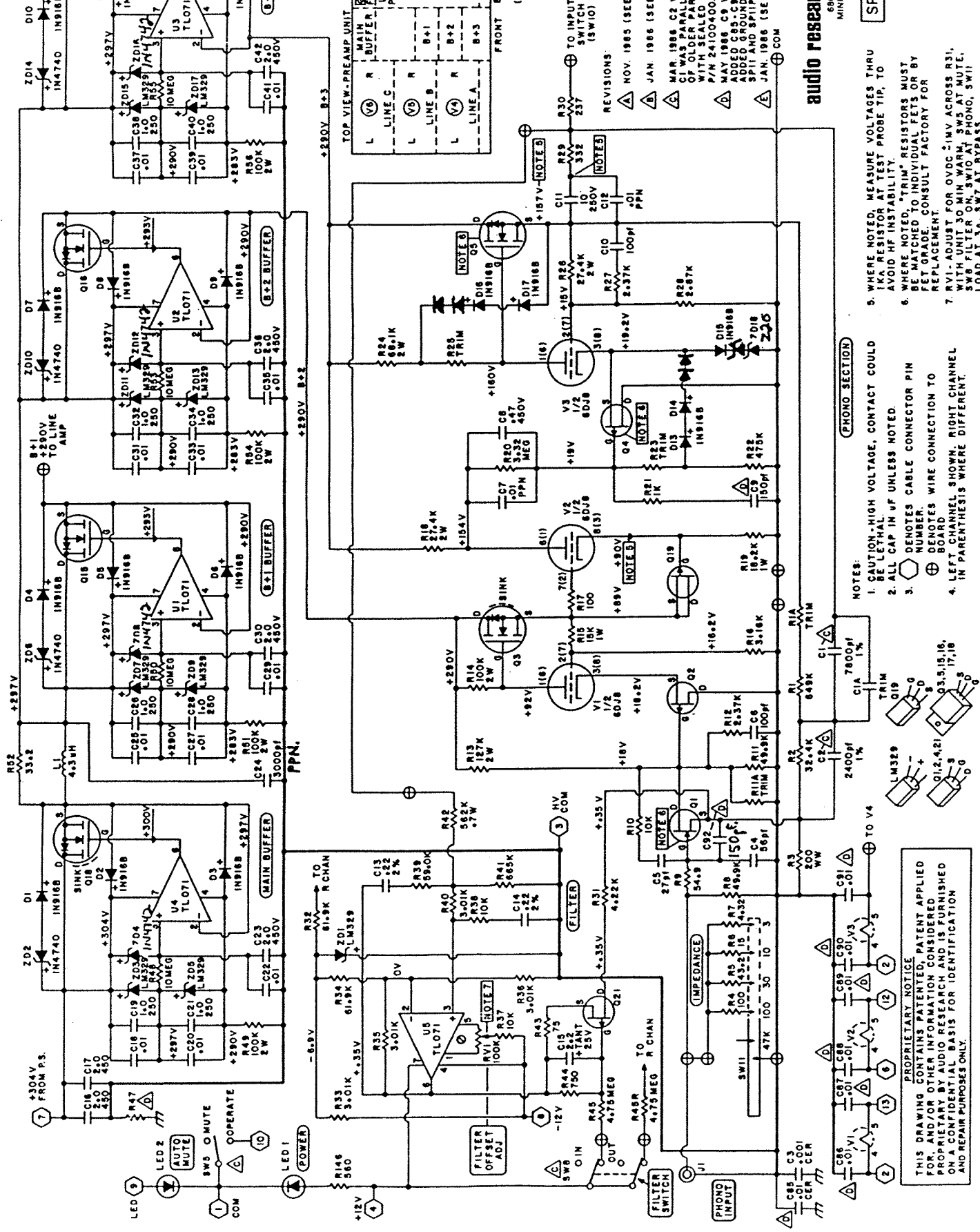
SCHEMATIC

6/23/86

audio research corporation

6801 SHINGLE CREEK PARKWAY
MINNEAPOLIS, MINNESOTA 55430

PRESELECTED
Yellow/DK



audio research corporation
6801 SHINGLE CREEK PARKWAY
MINNEAPOLIS, MINNESOTA 55430

SP11 PREAMP UNIT
PHONO SECTION
PAGE 1 OF 2

6--23--86

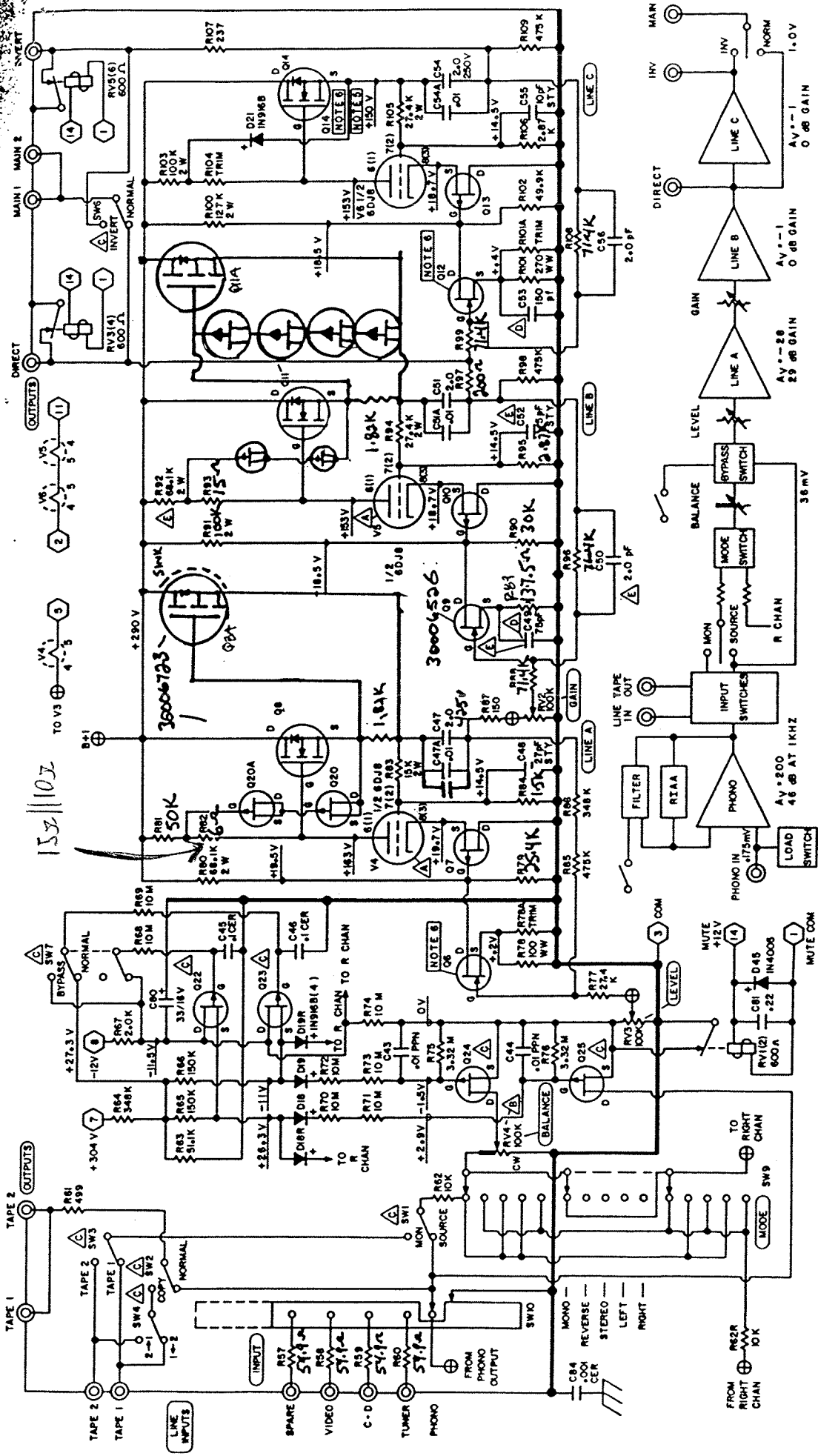
- REVISIONS
- ▲ NOV. 1985 (SEE PAGE 2, 3)
 - ▲ JAN. 1986 (SEE PAGE 2)
 - ▲ MAR. 1986 C2 WAS P/N 53240301, C1 WAS PARALLEL COMBINATION OF OLDER PARTS, SW1-B IMPROVED WITH SEALED TERMINALS, WAS P/N 24100400.
 - ▲ MAY 1986 C9 WAS 100PF 5% TOL, ADDED GROUND STRAP BETWEEN SP11 AND SP13.
 - ▲ JAN. 1986 (SEE PAGE 2)

PHONO SECTION

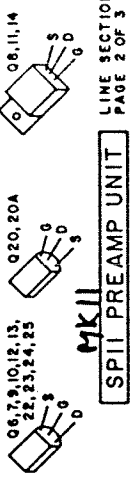
- NOTES:
1. CAUTION-HIGH VOLTAGE, CONTACT COULD BE LETHAL.
 2. ALL CAP IN UF UNLESS NOTED.
 3. ○ DENOTES CABLE CONNECTOR PIN NUMBER.
 4. LEFT CHANNEL SHOWN, RIGHT CHANNEL IN PARENTHESIS WHERE DIFFERENT.
5. WHERE NOTED, MEASURE VOLTAGES THRU 1KA RESISTOR AT TEST PROBE TIP, TO AVOID HF INSTABILITY.
6. WHERE NOTED, "TRIM" RESISTORS MUST BE MATCHED TO INDIVIDUAL FETS OR BY FET GRADE. CONSULT FACTORY FOR REPLACEMENT.
7. RV1- ADJUST FOR OVDC 2-1MV ACROSS R31, SW6 FILTER ON, SW10 AT PHONO, SW11 LOAD AT 3A, SW7 AT BYPASS.

PROPRIETARY NOTICE
THIS DRAWING CONTAINS PATENTED PATENT APPLIED FOR AND/OR OTHER INFORMATION CONSIDERED PROPRIETARY BY AUDIO RESEARCH AND IS FURNISHED ON A CONFIDENTIAL BASIS FOR IDENTIFICATION AND REPAIR PURPOSES ONLY.

ONLY GRADE 2 OR 3
FOR Q1 w/lowers

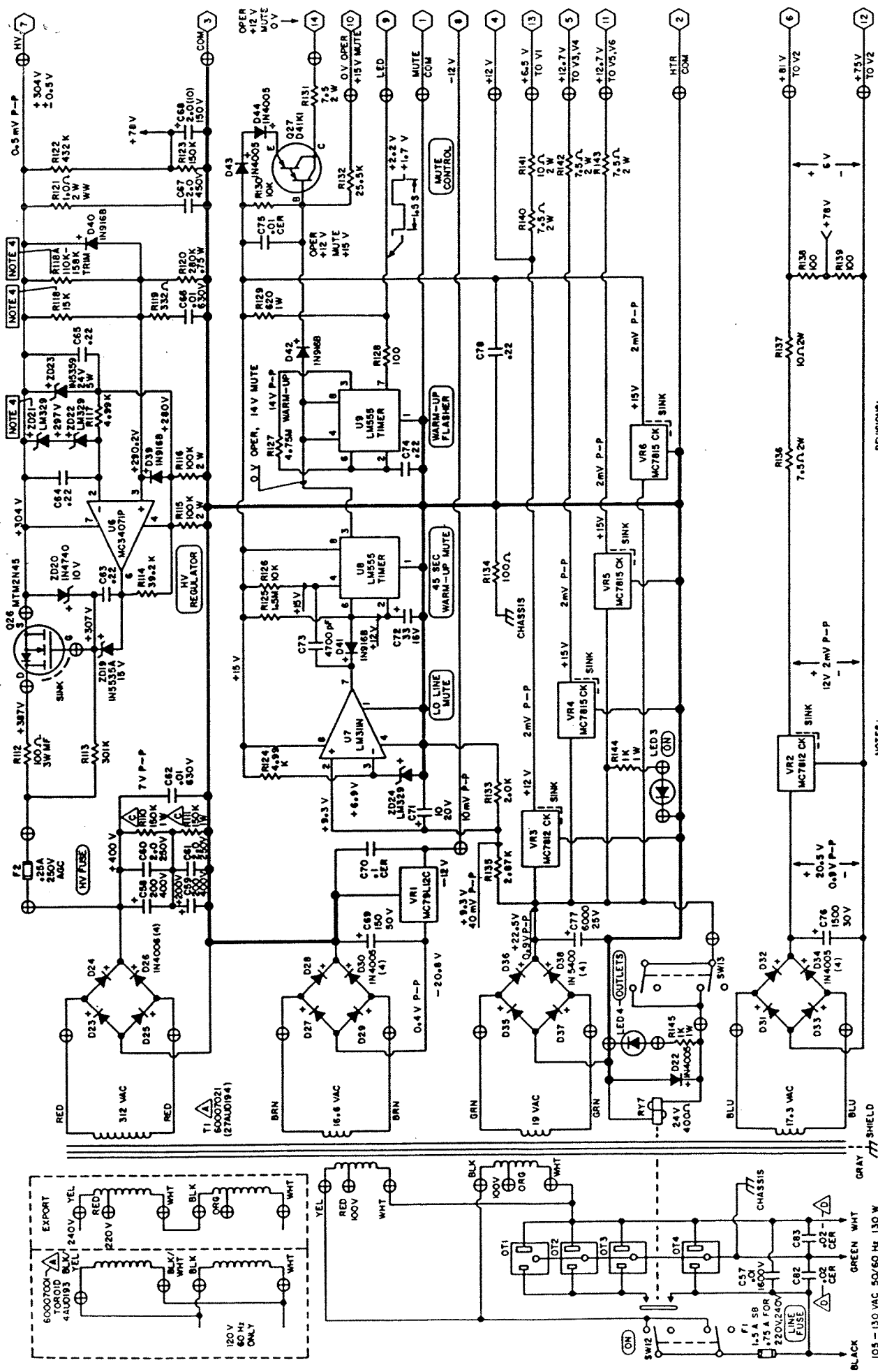


PROPRIETARY NOTICE
 THIS DRAWING CONTAINS PATENTED, PATENT APPLIED FOR, AND/OR OTHER INFORMATION CONSIDERED PROPRIETARY BY AUDIO RESEARCH AND IS FURNISHED ON A CONFIDENTIAL BASIS FOR IDENTIFICATION AND REPAIR PURPOSES ONLY.



- REVISIONS:**
- ▲ NOV 1985 V4,5 SELECTED FOR TRANSDUCANCE.
 - ▲ JAN 1986 RV4 OLDER TYPES REPLACED BY P/N 48100589.
 - ▲ MAR 1986 SW1-8 IMPROVED WITH SEALED TERMINALS, WAS P/N 24100400.
 - ▲ MAY 1986 C49, 53 WERE 150PF STYRENE. (SEE PARTS LIST)
 - ▲ JUN 1986 C49 WAS 150 PF PPN, C50 WAS (2) 5PF STYRENE IN SERIES OR (2) 4 PF PPN IN SERIES, C52 WAS 10 PF STYRENE, R92 WAS 100K 2W.

- NOTES:**
1. CAUTION - HIGH VOLTAGE - CONTACT COULD BE LETHAL.
 2. CAP IN UP UNLESS NOTED.
 3. ○ DENOTES CABLE CONNECTOR PIN NUMBERS.
 4. ⊕ DENOTES WIRE CONNECTION TO BOARD.
 5. PARENTHESIS WHERE DIFFERENT.
 6. WHERE NOTED, MEASURE VOLTAGE THRU IKA RESISTOR AT TEST POINT TIP, TO AVOID HF INSTABILITY.
 7. WHERE NOTED, "TRIM" RESISTORS MUST BE MATCHED TO INDIVIDUAL FEES OR BY FET GRADE. CONSULT FACTORY FOR REPLACEMENT.



SPIIPS POWER SUPPLY UNIT

NOTE 4: [Diagrammatic note]

NOTE 1: CAUTION - HIGH VOLTAGE. CONTACT WITH STORED ENERGY EVEN WITH POWER OFF COULD BE LETHAL.

NOTE 2: VOLTAGES ARE AT 120 VAC 60 Hz. PREAMP CONNECTED. CAPACITORS IN μ F UNLESS NOTED.

NOTE 3: Δ DENOTES CABLE CONNECTION PH NUMBER.

NOTE 4: R116, R118A MAY VARY, SELECTED FOR 304V $\pm 0.5V$ AT 7 TO MATCH ZD21, 22 USED.

REVISIONS:

- NOV '85 TOROID T1 WAS PH6007001 60 Hz ONLY.
- JAN '86 (SEE PAGE 2) PH4650501 2W RES. C83
- MAR '86 R10, R11 WERE PH4650501 2W RES. C83
- MAY '86 ADDED C82, C83
- JAN '86 (SEE PAGE 2)

audio research corporation
6601 SHINGLE CREEK PARKWAY
MINNEAPOLIS, MINNESOTA 55430

8-23-86
PAGE 3 OF 3

PROPRIETARY NOTICE
THIS DRAWING CONTAINS PATENTED, PATENT APPLIED FOR, AND/OR OTHER INFORMATION CONSIDERED PROPRIETARY BY ALPO RESEARCH AND IS FURNISHED ON A CONFIDENTIAL BASIS FOR IDENTIFICATION AND REPAIR PURPOSE ONLY.