

REV
1/21/88

MK II

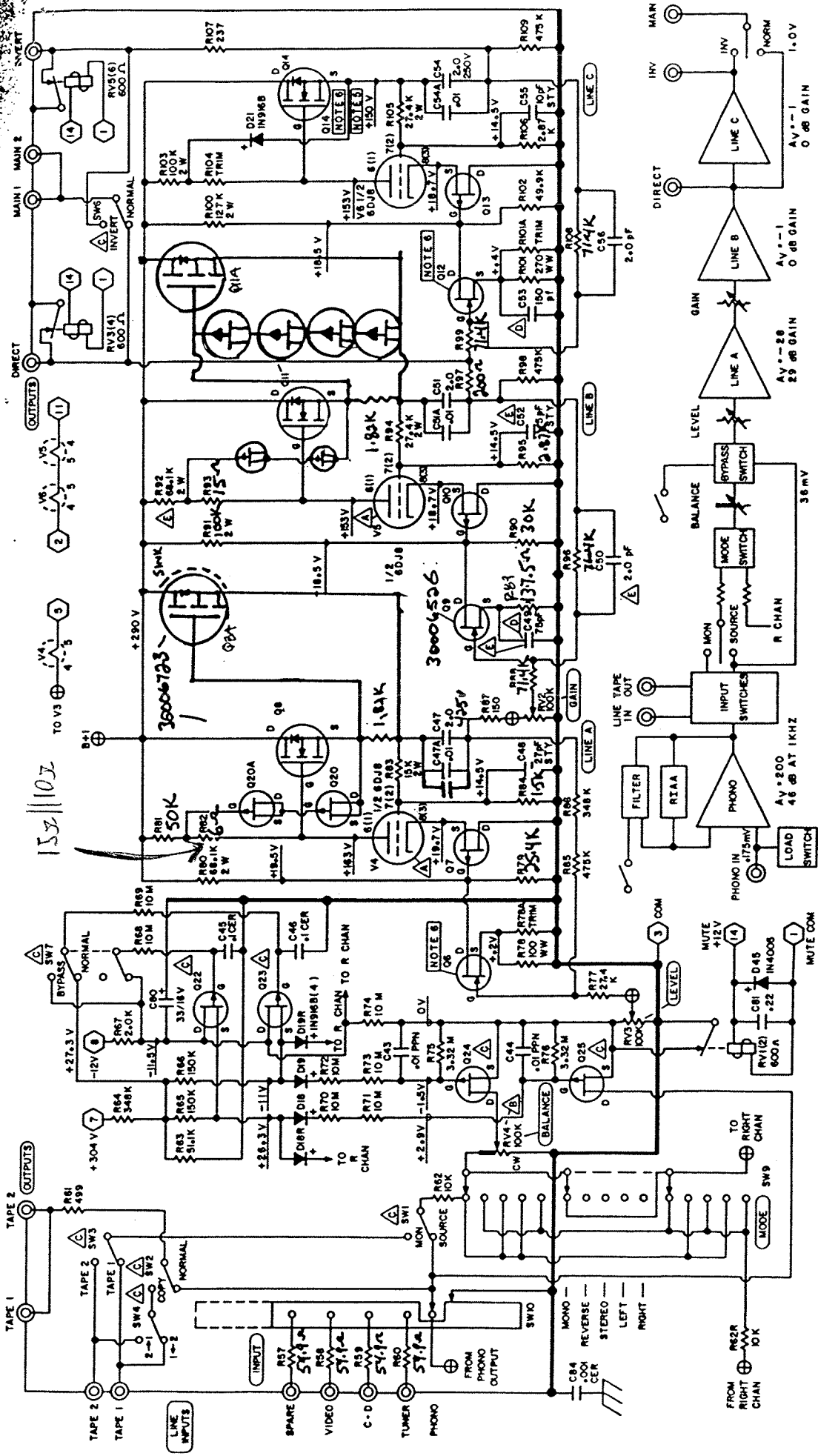
SP11 PREAMPLIFIER
SP11PS POWER SUPPLY

SCHEMATIC

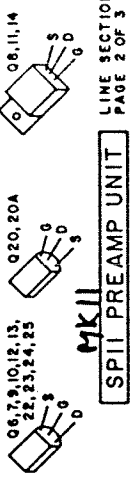
6/23/86

audio research corporation

6801 SHINGLE CREEK PARKWAY
MINNEAPOLIS, MINNESOTA 55430



PROPRIETARY NOTICE
 THIS DRAWING CONTAINS PATENTED, PATENT APPLIED FOR, AND/OR OTHER INFORMATION CONSIDERED PROPRIETARY BY AUDIO RESEARCH AND IS FURNISHED ON A CONFIDENTIAL BASIS FOR IDENTIFICATION AND REPAIR PURPOSES ONLY.



- REVISIONS:
- ▲ NOV 1985 V4,5 SELECTED FOR TRANSDUCANCE.
 - ▲ JAN 1986 RV4 OLDER TYPES REPLACED BY P/N 48100589.
 - ▲ MAR 1986 SW1-8 IMPROVED WITH SEALED TERMINALS, WAS P/N 24100400. R22,23,24,25 CHANGED, WAS P/N 30006410. (SEE PARTS LIST) (SEE PARTS LIST)
 - ▲ MAY 1986 C49,53 WERE 150PF STYRENE.
 - ▲ JUN 1986 C49 WAS 150 PF PPN, C50 WAS (2) 5PF STYRENE IN SERIES OR (2) 4 PF PPN IN SERIES, C52 WAS 10 PF STYRENE, R92 WAS 100K 2W.

- NOTES:
- 1. CAUTION - HIGH VOLTAGE - CONTACT COULD BE LETHAL.
 - 2. CAP. IN U/P UNLESS NOTED.
 - 3. ○ DENOTES CABLE CONNECTOR PIN NUMBERS.
 - 4. ⊕ DENOTES WIRE CONNECTION TO BOARD.
 - 5. PARENTHESIS WHERE DIFFERENT.
 - 6. WHERE NOTED, MEASURE VOLTAGE THRU IKA RESISTOR AT TEST POINT TIP, TO AVOID HF INSTABILITY.
 - 7. WHERE NOTED, "TRIM" RESISTORS MUST BE MATCHED TO INDIVIDUAL FEES OR BY FET GRADE. CONSULT FACTORY FOR REPLACEMENT.

