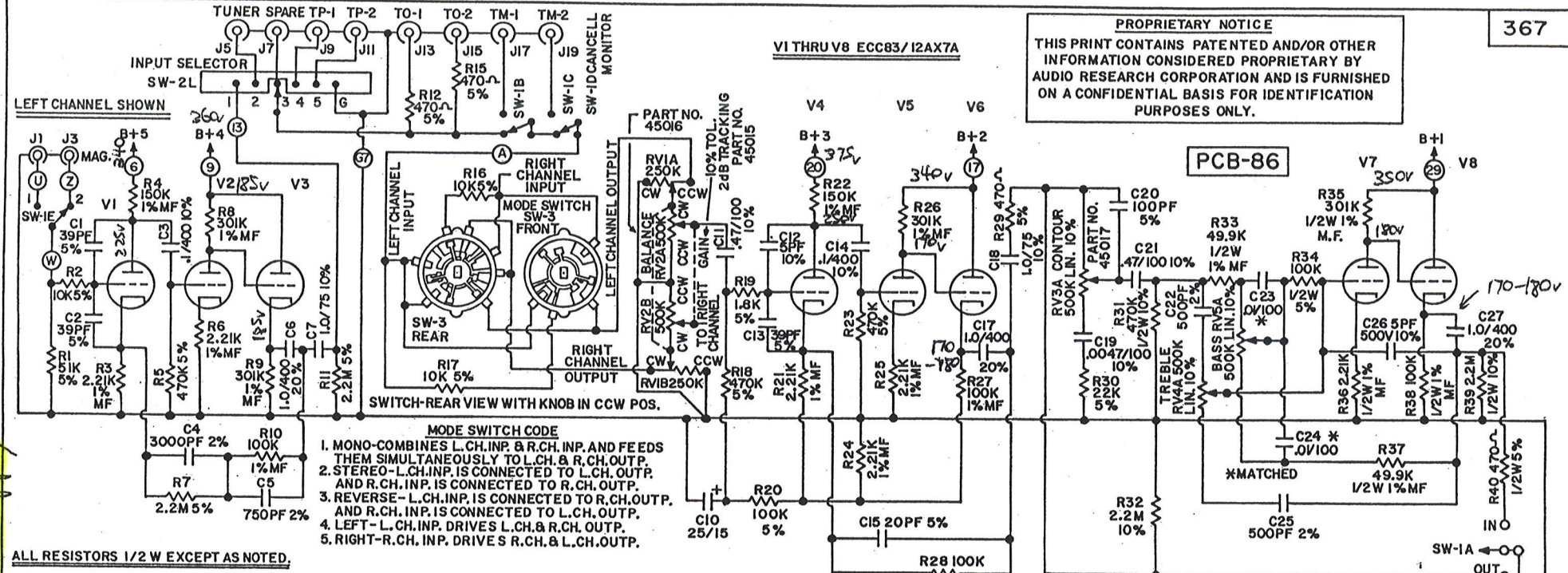
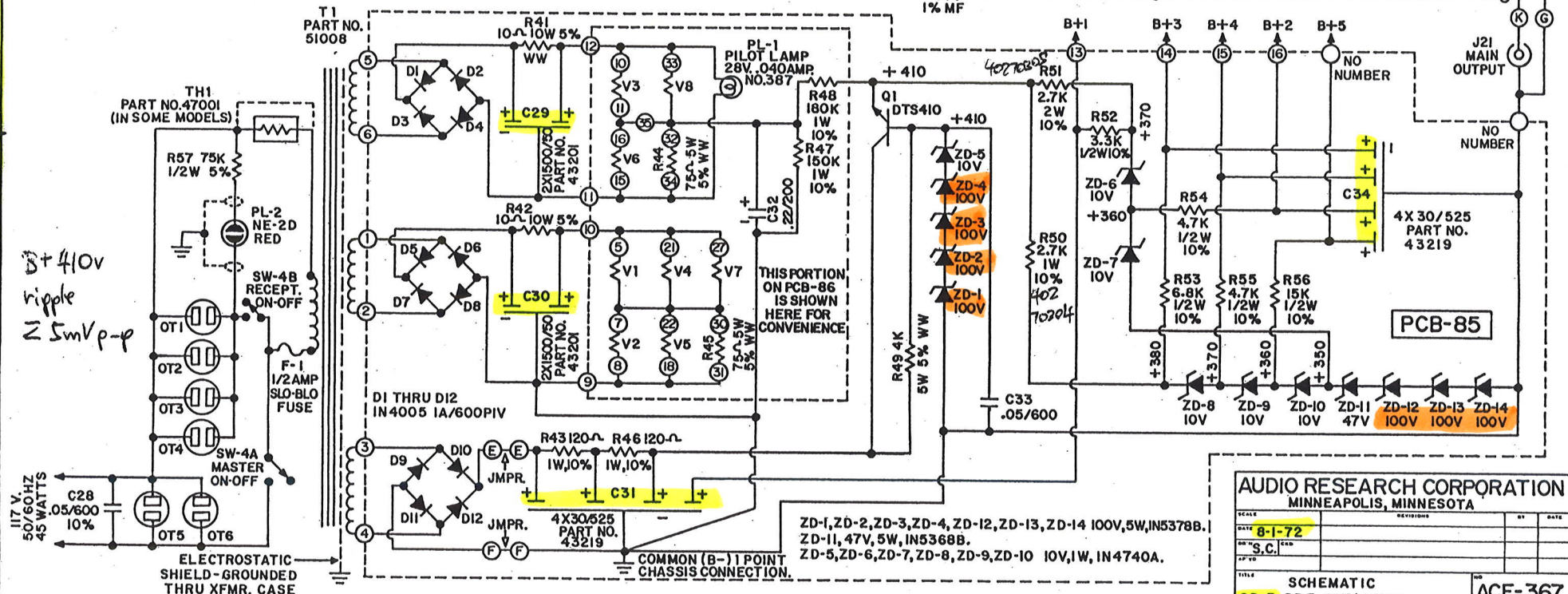


PROPRIETARY NOTICE  
THIS PRINT CONTAINS PATENTED AND/OR OTHER INFORMATION CONSIDERED PROPRIETARY BY AUDIO RESEARCH CORPORATION AND IS FURNISHED ON A CONFIDENTIAL BASIS FOR IDENTIFICATION PURPOSES ONLY.



4 Cap Power supply



B+ 410V  
Ripple  
2.5mVp-p

**AUDIO RESEARCH CORPORATION**  
MINNEAPOLIS, MINNESOTA

SCALE: 8-1-72

DATE: 8-1-72

BY: S.C.

TITLE: SCHEMATIC  
SP-3 PRE-AMPLIFIER

NO. ACE-367

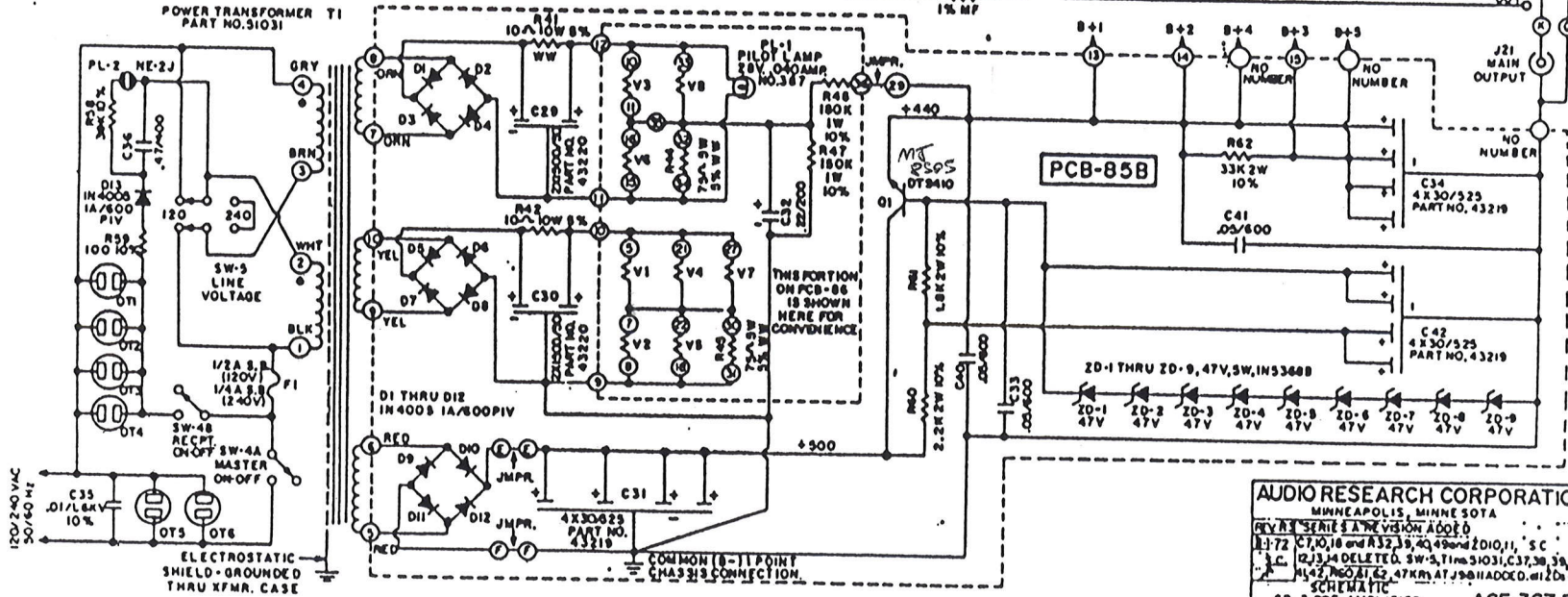
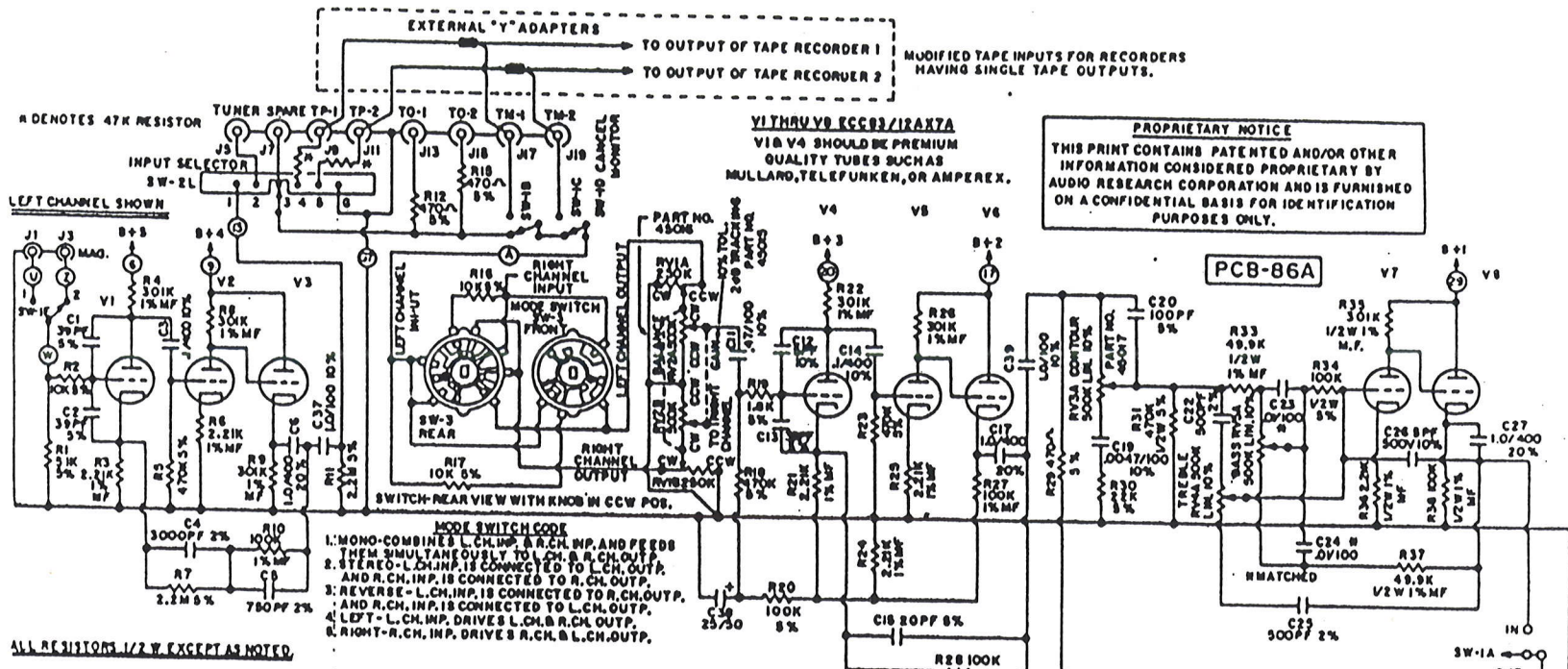
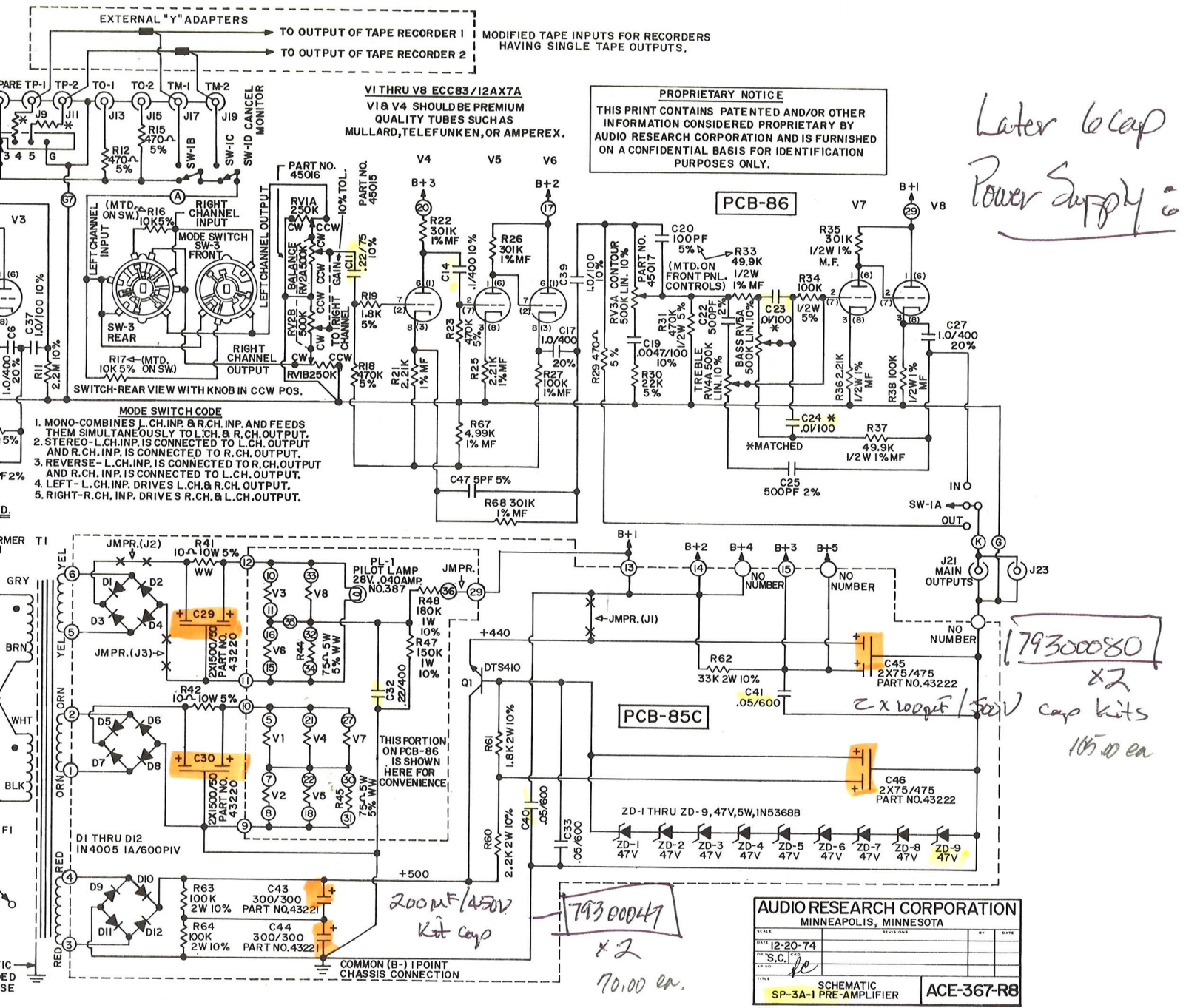


FIGURE III

Page 4

5 Cap Power Supply



**SCHEMATIC DIAGRAM**

AUDIO RESEARCH CORPORATION		MINNEAPOLIS, MINNESOTA	
DATE	12-20-74	REVISION	
BY	S.C.	DATE	
SCHEMATIC		ACE-367-R8	
SP-3A-1 PRE-AMPLIFIER			