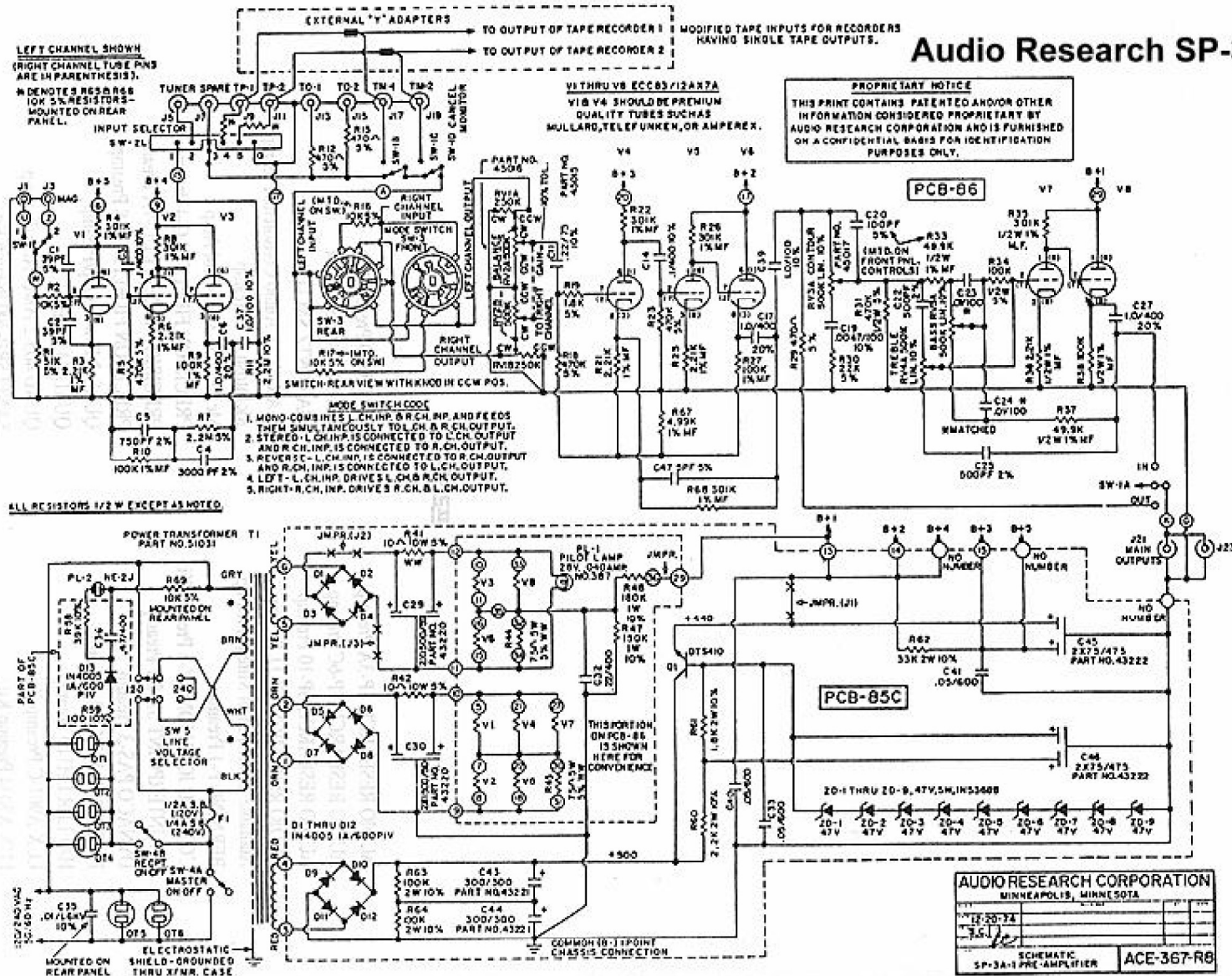


Audio Research SP-3A



SCHMATIC DIAGRAM