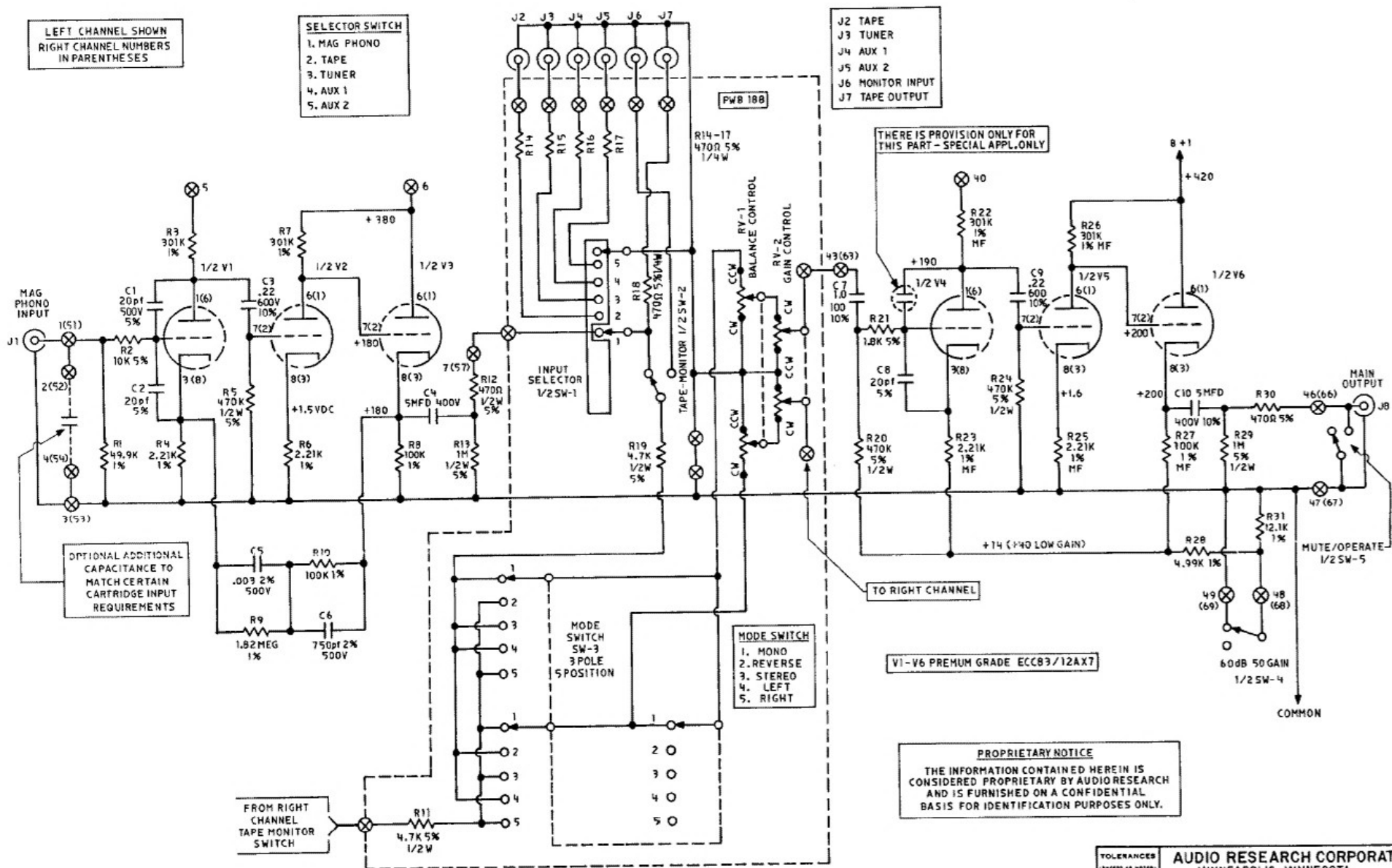


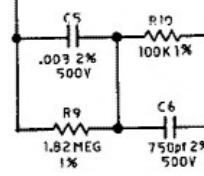
LEFT CHANNEL SHOWN
RIGHT CHANNEL NUMBERS
IN PARENTHESES

SELECTOR SWITCH
1. MAG PHONO
2. TAPE
3. TUNER
4. AUX 1
5. AUX 2

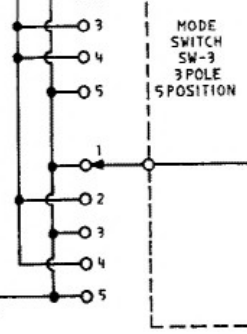
J2 TAPE
J3 TUNER
J4 AUX 1
J5 AUX 2
J6 MONITOR INPUT
J7 TAPE OUTPUT



OPTIONAL ADDITIONAL
CAPACITANCE TO
MATCH CERTAIN
CARTRIDGE INPUT
REQUIREMENTS



FROM RIGHT
CHANNEL
TAPE MONITOR
SWITCH



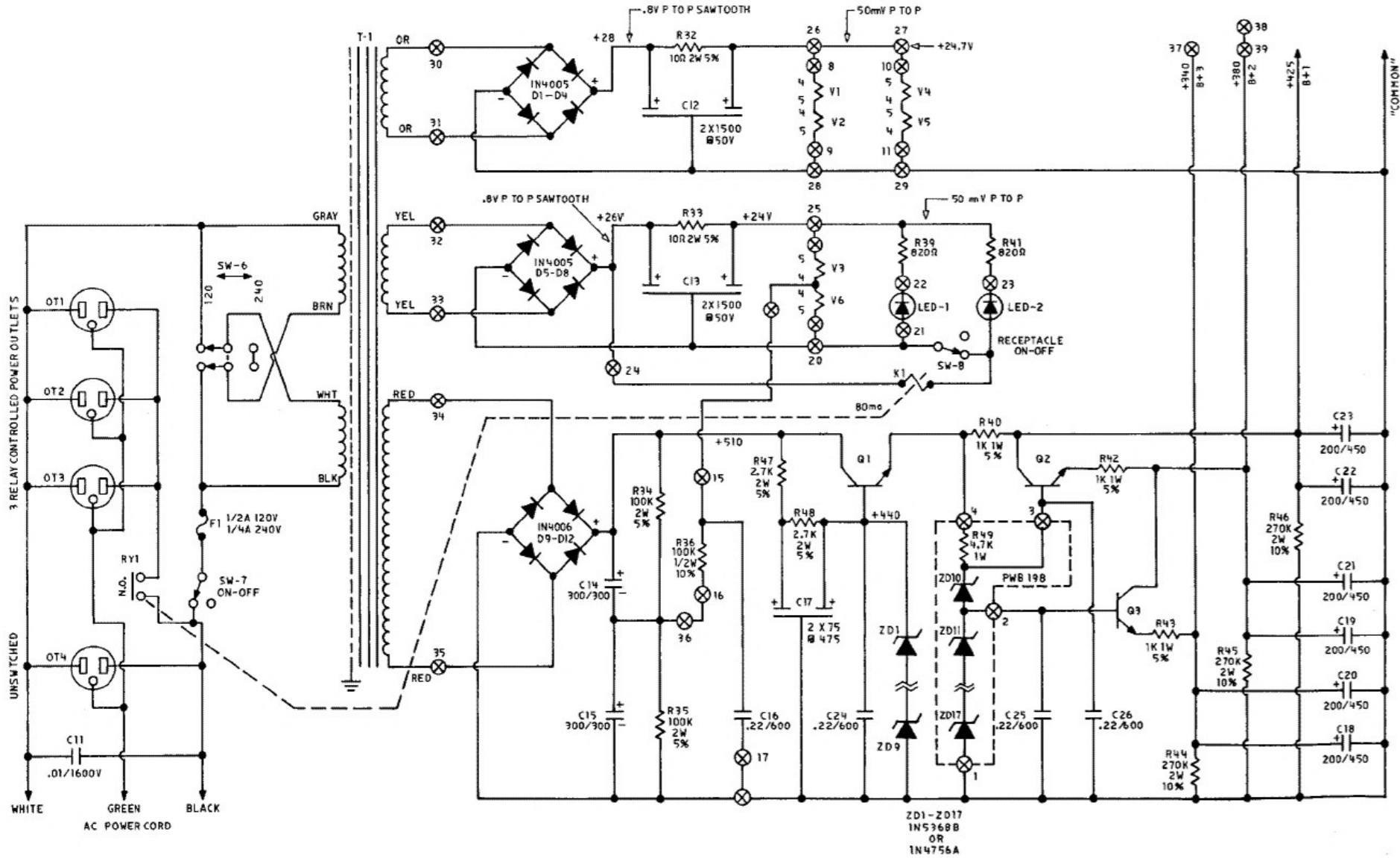
MODE SWITCH
1. MONO
2. REVERSE
3. STEREO
4. LEFT
5. RIGHT

V1-V6 PREMIUM GRADE ECC83/12AX7

PROPRIETARY NOTICE
THE INFORMATION CONTAINED HEREIN IS
CONSIDERED PROPRIETARY BY AUDIO RESEARCH
AND IS FURNISHED ON A CONFIDENTIAL
BASIS FOR IDENTIFICATION PURPOSES ONLY.

TOLERANCES (EXCEPT AS NOTED)	AUDIO RESEARCH CORPORATION MINNEAPOLIS, MINNESOTA		
DECIMAL	SCALE	DRAWN BY	APPROVED BY
FRACTIONAL	TITLE	SCHEMATIC PWB 187 SP-6 PREAMPLIFIER (SHEET 1 OF 2)	
ANGULAR	DATE	DRAWING NUMBER	
	5-16-78	910047-10 A	

ALL VOLTAGE READINGS TAKEN WITH 120VAC 60Hz LINE



TOLERANCES (EXCEPT AS NOTED)		AUDIO RESEARCH CORPORATION MINNEAPOLIS, MINNESOTA	
DECIMAL		SCALE	DRAWN BY
FRACTIONAL			APPROVED BY
TITLE	SCHEMATIC		
DATE	SP-6 PREAMPLIFIER (SHEET 2 OF 2)		
DRAWING NUMBER	910047-10 B		
5-16-78			

SP-6 PARTS LIST

COMPONENT	QUAN.	DESCRIPTION	VALUE	RATING	TOL.	ARC PART NO.
V1-6	6	ECC83/12AX7A				32000100
D1-8	8	1N4005				30500400
D9-12	4	1N4006				30502200
ZD1-17	17	1N5368B	47V	5W	5%	30500100
LED1,2	2	LED				34300100
Q1-3	3	Transistor				30000400
RV1	1	Balance Control	100K	LinTaper	10%	45100525
RV2	1	Gain Control	100K	LogTaper	10%	45100523
R1	2	Metal Film	49.9K	1/2W	1%	42499403
R2	2	Carbon Comp.	10K	1/2W	5%	41100403
R3,7,22,26	8	Metal Film	301K	3/4W	1%	42301504
R4,6,23,25	8	Metal Film	2.21K	1/2W	1%	42221303
R5,20,24	6	Carbon Comp.	470K	1/2W	5%	41470503
R8,27	4	Metal Film	100K	3/4W	1%	42100504
R9	2	Metal Film	1.82Meg	1/2W	1%	42182603
R10	2	Metal Film	100K	1/2W	1%	42100503
R11,19	4	Carbon Comp.	4.7K	1/2W	5%	41470303
R12	2	Carbon Comp.	470Ω	1/2W	5%	41470203
R13	2	Metal Film	1Meg	1/2W	1%	42100603
R14-18	10	Carbon Comp.	470Ω	1/4W	5%	41470202
R21	2	Carbon Comp.	1.8K	1/2W	5%	41180303
R28	2	Metal Film	4.99K	1/2W	1%	42499303
R29	2	Carbon Comp.	1Meg	1/2W	5%	41100603
R30	2	Carbon Comp.	470Ω	1/2W	5%	41470203
R31	2	Metal Film	12.1K	1/2W	1%	42121403
R32,33	2	Carbon Comp.	10Ω	2W	5%	41100105
R34,35	2	Carbon Comp.	100K	2W	5%	41100505
R47,48	2	Carbon Comp.	2.7K	2W	5%	41270305
R39,41	2	Carbon Comp.	820Ω	1/2W	5%	41820203
R40,42,43	3	Carbon Comp.	1K	1W	5%	41100304
R44-46	3	Carbon Comp.	270K	2W	5%	41270505
R49	1	Carbon Comp.	4.7K	1W	5%	41470304
C1,2,8	6	Dipped Silver Mica	20pF	500V	10%	57200100
C3,9,16,24-26	6	Metalized Mylar	.22μF	600V	10%	53220503
C4,10	4	Metalized Mylar	5μF	400V	10%	53500602
C5	2	Dipped Silver Mica	3000pF	500V	2%	57300300
C6	2	Dipped Silver Mica	750pF	500V	2%	57750201
C7	2	Metalized Mylar	1.0μF	100V	10%	53100600
C11	1	Metalized Mylar	.01μF	1600V	10%	53100403
C12,13	2	Electrolytic	2X1500μF	50V	-10/+75%	50150900
C14,15	2	Electrolytic	300μF	300V	-10/+75%	50300800
C17	1	Electrolytic	2X75μF	475V	-10/+75%	50750700
C18-23	6	Electrolytic	200μF	450V	-10/+75%	50200801
F1	1	S10B10 120VAC	1/2A	250V		34500200
		(240VAC	1/4A	250V)		34500100
T1	1	Transformer				60003400
OT1-4	4	AC Receptacle				23200500
SW1	1	Source Switch				24001000
SW2,5	2	DPDT Gold Contact				24100400
SW3	1	Mode Switch				24000700
SW4	1	DPDT Silver Contact				24100100
SW6	1	DPDT Silver Contact				24100600
SW7,8	2	DPDT Silver Contact				24100700
K1	1	Relay				64100300
J1-16	16	Phono Jack				23201000