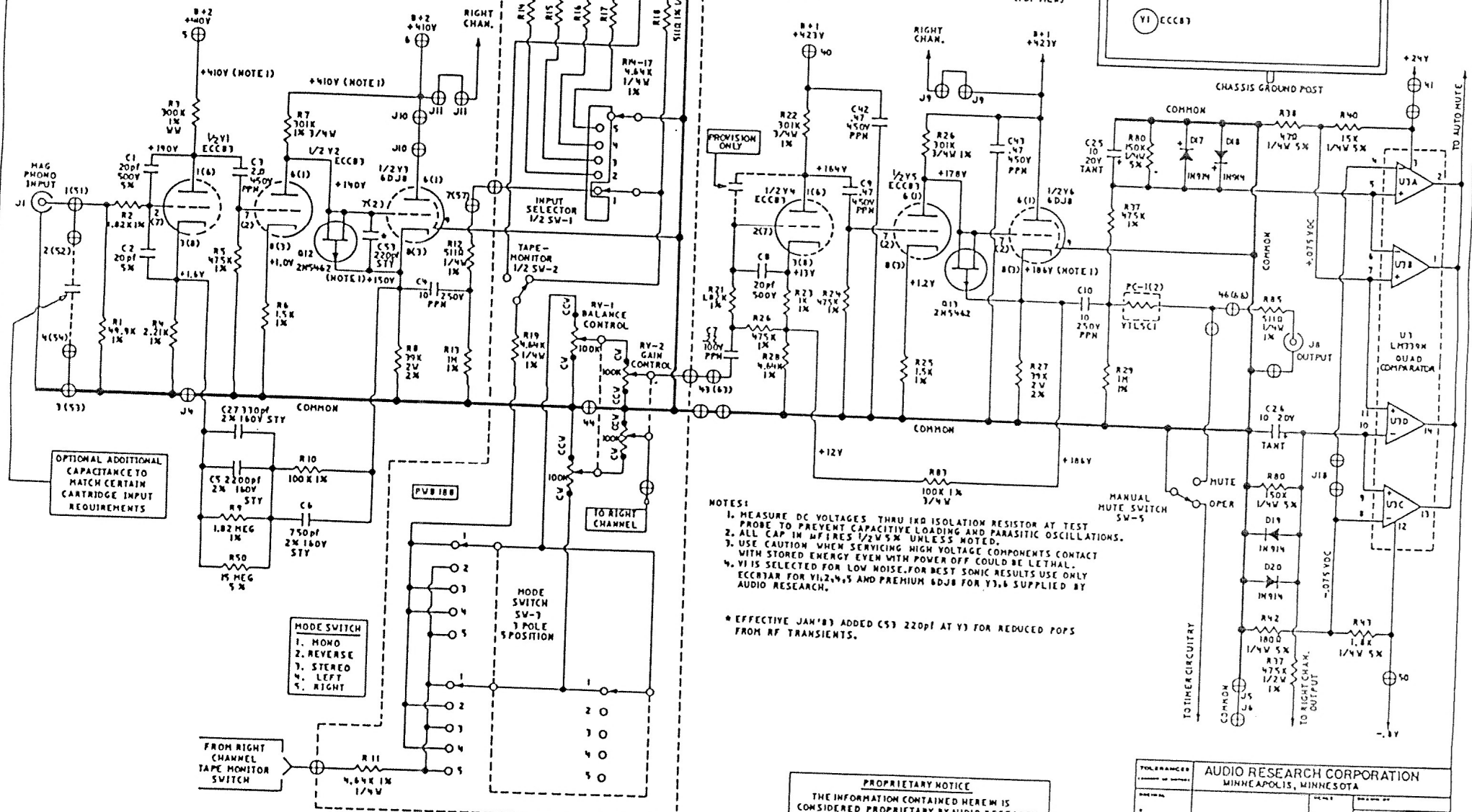
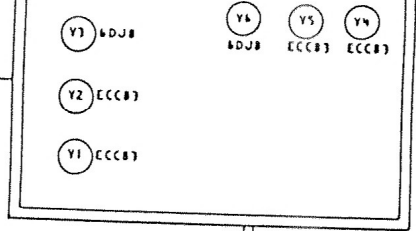


LEFT CHANNEL SHOWN
RIGHT CHANNEL NUMBERS
IN PARENTHESES

SELECTOR SWITCH
1. MAG PHONO
2. TAPE
3. TUNER
4. AUX 1
5. AUX 2

J2 TAPE
J3 TUNER
J4 AUX 1
J5 AUX 2
J6 MONITOR INPUT
J7 TAPE OUTPUT

SP-6E
TUBE LOCATIONS
(TOP VIEW)



OPTIONAL ADDITIONAL
CAPACITANCE TO
MATCH CERTAIN
CARTRIDGE INPUT
REQUIREMENTS

MODE SWITCH
1. MONO
2. REVERSE
3. STEREO
4. LEFT
5. RIGHT

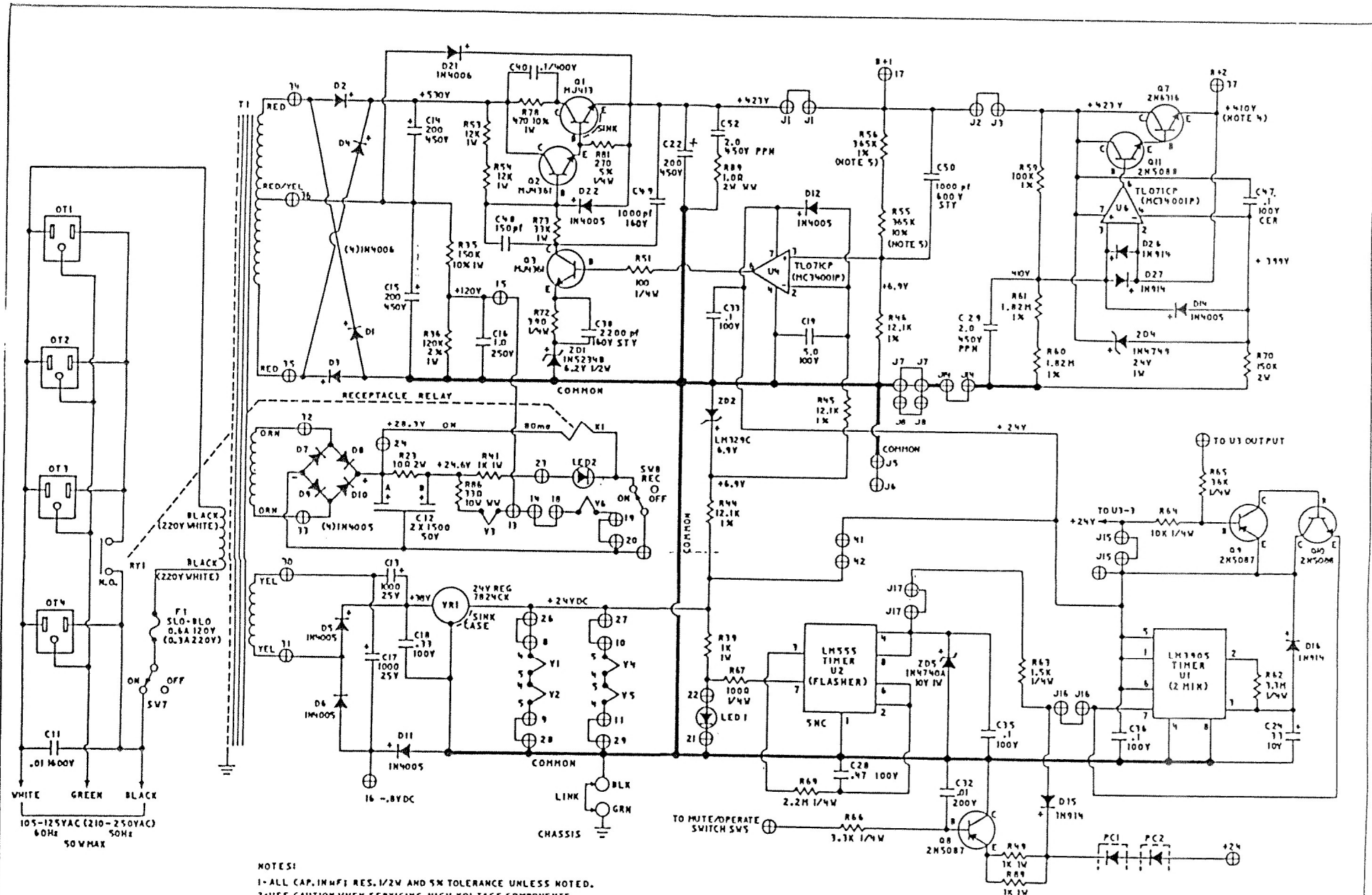
NOTES:

1. MEASURE DC VOLTAGES THRU 1KΩ ISOLATION RESISTOR AT TEST PROBE TO PREVENT CAPACITIVE LOADING AND PARASITIC OSCILLATIONS.
2. ALL CAP IN W/FIRES 1/2% 5% UNLESS NOTED.
3. USE CAUTION WHEN SERVICING HIGH VOLTAGE COMPONENTS CONTACT WITH STORED ENERGY EVEN WITH POWER OFF COULD BE LETHAL.
4. V1 IS SELECTED FOR LOW NOISE, FOR BEST SONIC RESULTS USE ONLY ECC83A FOR V1, 2, 4, 5 AND PREMIUM 6DJ8 FOR V3, 6 SUPPLIED BY AUDIO RESEARCH.

* EFFECTIVE JAN '83 ADDED C53 220pF AT Y1 FOR REDUCED POPS FROM RF TRANSIENTS.

PROPRIETARY NOTICE
THE INFORMATION CONTAINED HEREIN IS
CONSIDERED PROPRIETARY BY AUDIO RESEARCH
AND IS FURNISHED ON A CONFIDENTIAL
BASIS FOR IDENTIFICATION PURPOSES ONLY.

TOLERANCES		AUDIO RESEARCH CORPORATION MINNEAPOLIS, MINNESOTA	
RESISTORS	1% 5% 10%	DATE	REV
CAPACITORS	1% 5% 10%	DATE	REV
TRANSISTORS	1% 5% 10%	DATE	REV
TITLES	SCHEMATIC SP&E PREAMPLIFIER & SENSORS		
DATE	11-1-83	DESIGNED BY	
REV		DATE	
		910089-10A	



- NOTES:
- 1- ALL CAP, 1M/F1 RES, 1/2W AND 5% TOLERANCE UNLESS NOTED.
 - 2- USE CAUTION WHEN SERVICING HIGH VOLTAGE COMPONENTS. CONTACT WITH STORED ENERGY EVEN WITH POWER OFF COULD BE LETHAL.
 - 3- ALL VOLTAGES AT 120VAC 60Hz LINE.
 - 4- MEASURE DC VOLTAGES THRU 1KΩ ISOLATION RESISTOR TO MINIMIZE CAPACITIVE LOADING.
 - 5- R55 OR R54 MAY BE 348K FOR PROPER B+ WITH SOME ZD2.

PROPRIETARY NOTICE
 THE INFORMATION CONTAINED HEREIN IS CONSIDERED PROPRIETARY BY AUDIO RESEARCH AND IS FURNISHED ON A CONFIDENTIAL BASIS FOR IDENTIFICATION PURPOSES ONLY.

AUDIO RESEARCH CORPORATION MINNEAPOLIS, MINNESOTA	
DESIGNED BY	DATE
FRONT PANEL	FILE
DATE	SCHEMATIC POWER SUPPLY & TIMERS
11-1-87	910088 -10 A