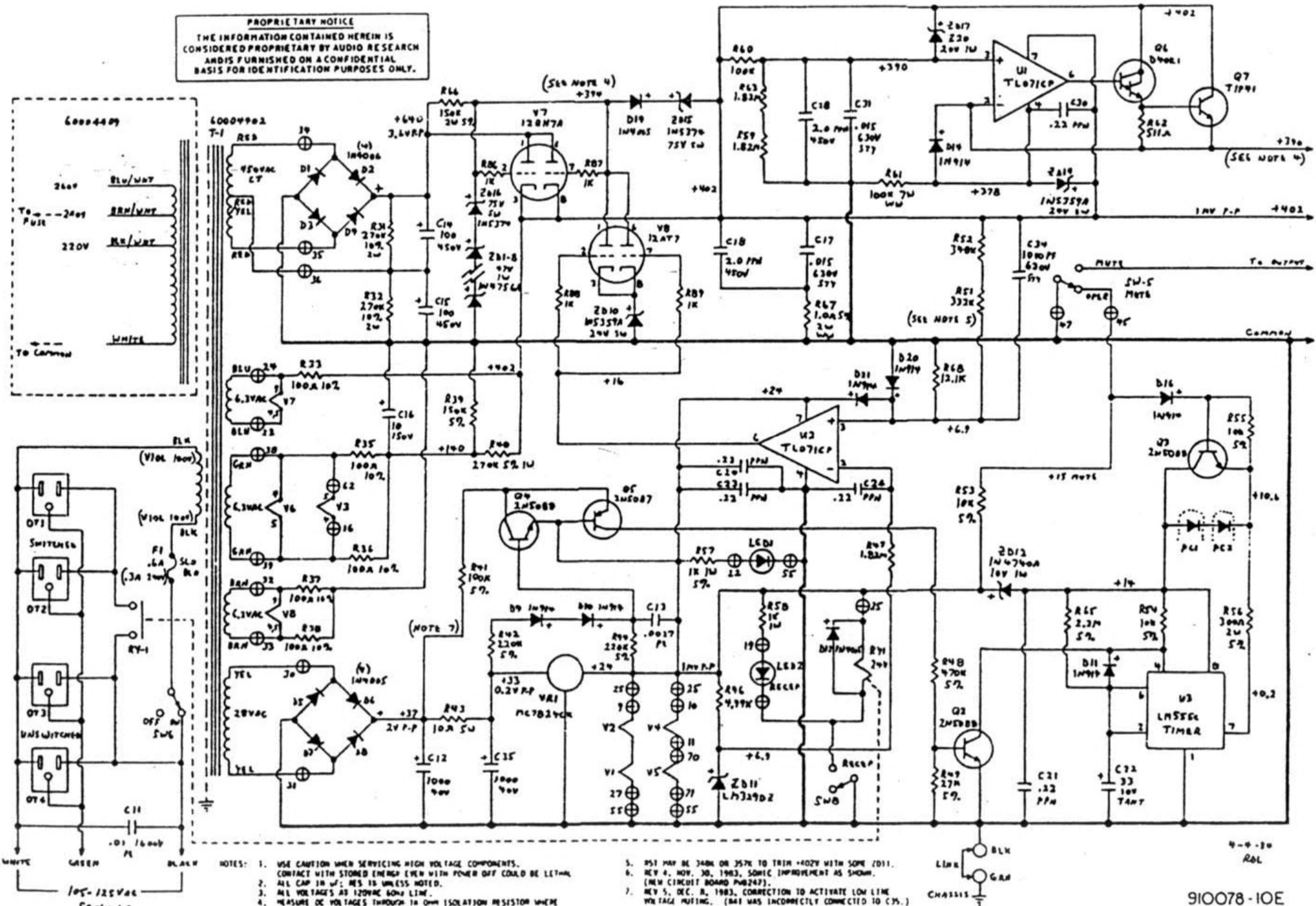


PROPRIETARY NOTICE
 THE INFORMATION CONTAINED HEREIN IS
 CONSIDERED PROPRIETARY BY AUDIO RESEARCH
 AND IS FURNISHED ON A CONFIDENTIAL
 BASIS FOR IDENTIFICATION PURPOSES ONLY.



- NOTES:
1. USE CAUTION WHEN SERVICING HIGH VOLTAGE COMPONENTS. CONTACT WITH STORED ENERGY EVEN WITH POWER OFF COULD BE LETHAL.
 2. ALL CAP IN W: RES IS UNLESS NOTED.
 3. ALL VOLTAGES AT 120VAC 60HZ LINE.
 4. MEASURE DC VOLTAGES THROUGH IN OHM ISOLATION RESISTOR WHERE NOTED, TO MINIMIZE CAPACITIVE LOADING EFFECTS.
 5. R51 MAY BE 340K OR 357K TO TRIM +402V WITH SOME (D11).
 6. REV 4, NOV. 30, 1983, SOME IMPROVEMENT AS SHOWN. (NEW CIRCUIT BOARD PWB247).
 7. REV 5, DEC. 8, 1983, CORRECTION TO ACTIVATE LOW LINE WITH PAGE MUFFING. (R41 WAS INCORRECTLY CONNECTED TO C35.)