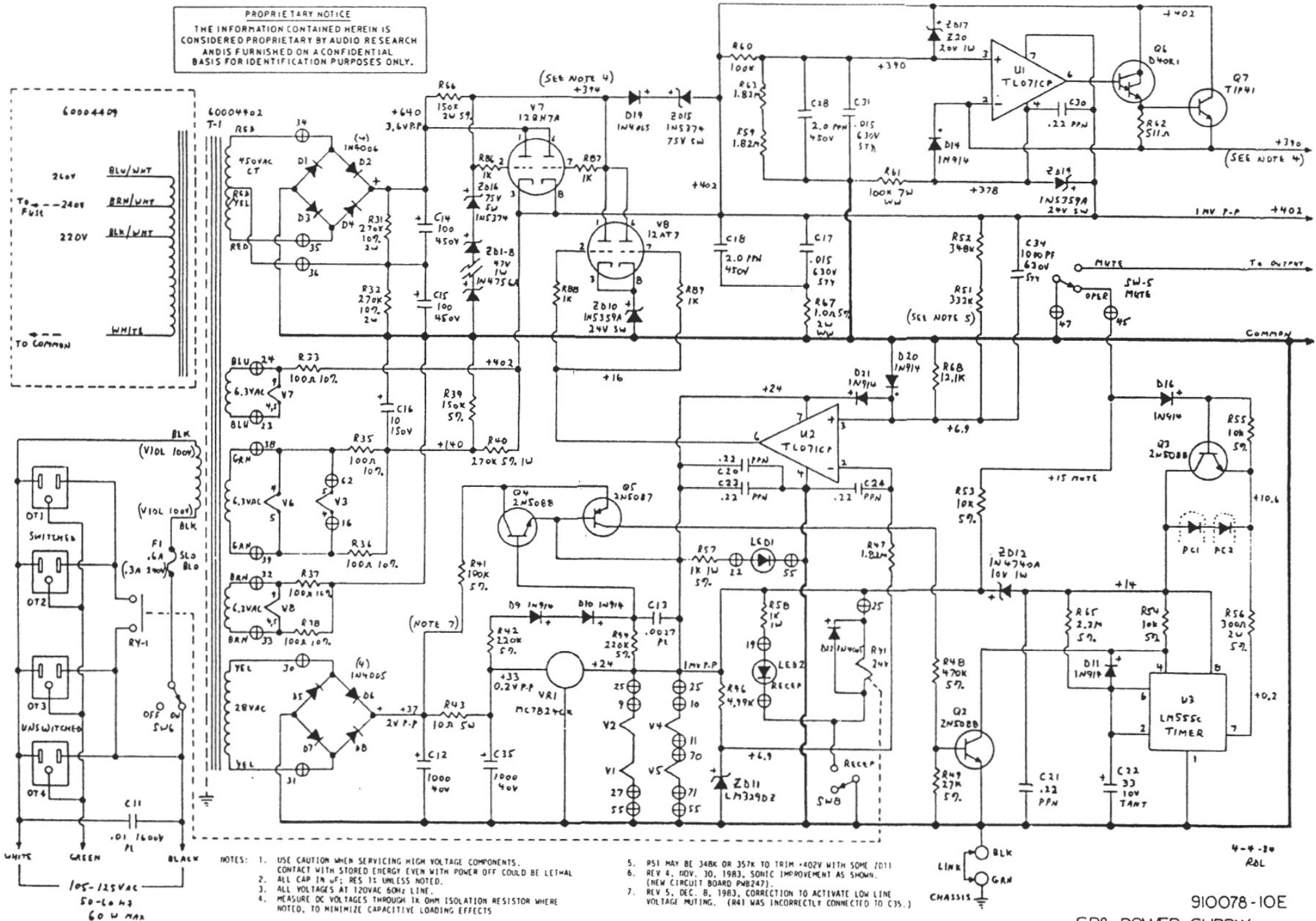
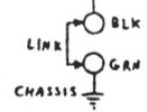


PROPRIETARY NOTICE  
 THE INFORMATION CONTAINED HEREIN IS  
 CONSIDERED PROPRIETARY BY AUDIO RESEARCH  
 AND IS FURNISHED ON A CONFIDENTIAL  
 BASIS FOR IDENTIFICATION PURPOSES ONLY.



- NOTES:
1. USE CAUTION WHEN SERVICING HIGH VOLTAGE COMPONENTS. CONTACT WITH STORED ENERGY EVEN WITH POWER OFF COULD BE LETHAL.
  2. ALL CAP IN  $\mu$ F; RES  $\Omega$  UNLESS NOTED.
  3. ALL VOLTAGES AT 120VAC 60Hz LINE.
  4. MEASURE DC VOLTAGES THROUGH 1K OHM ISOLATION RESISTOR WHERE NOTED, TO MINIMIZE CAPACITIVE LOADING EFFECTS.

5. R51 MAY BE 348K OR 357K TO TRIM +402V WITH SOME 2011  
 6. REV 4, NOV. 30, 1983, SONIC IMPROVEMENT AS SHOWN.  
 (NEW CIRCUIT BOARD PWB247).  
 7. REV 5, DEC. 8, 1983, CORRECTION TO ACTIVATE LOW LINE  
 VOLTAGE MUTING. (R41 WAS INCORRECTLY CONNECTED TO C35.)



910078-10E  
 SP8 POWER SUPPLY