

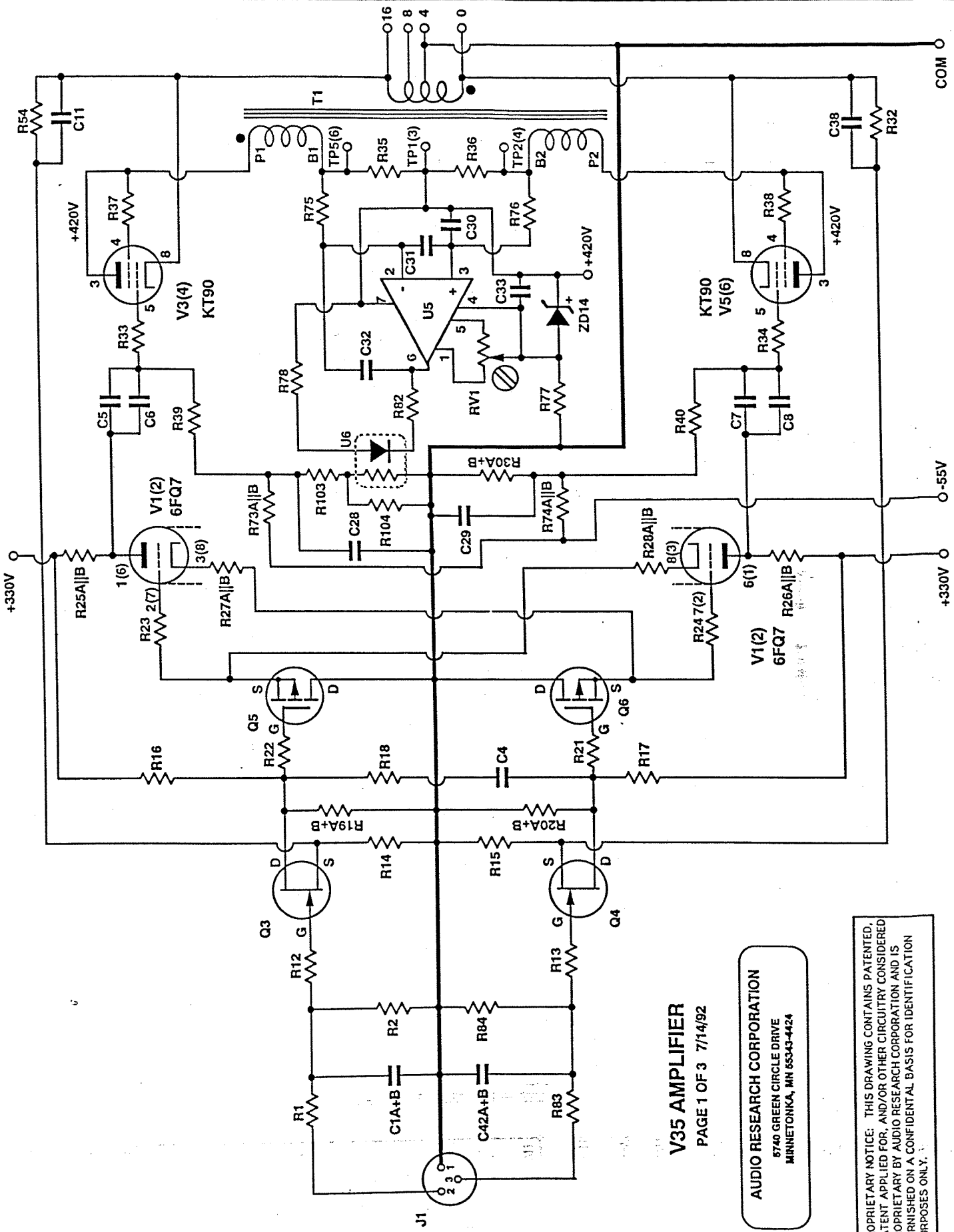
# **audio research**

H I G H D E F I N I T I O N<sup>®</sup>

5740 GREEN CIRCLE DRIVE / MINNETONKA, MINNESOTA 55343-4424 / PHONE 612/939-0600 FAX 612/939-0604

SCHEMATIC AND PARTS LIST

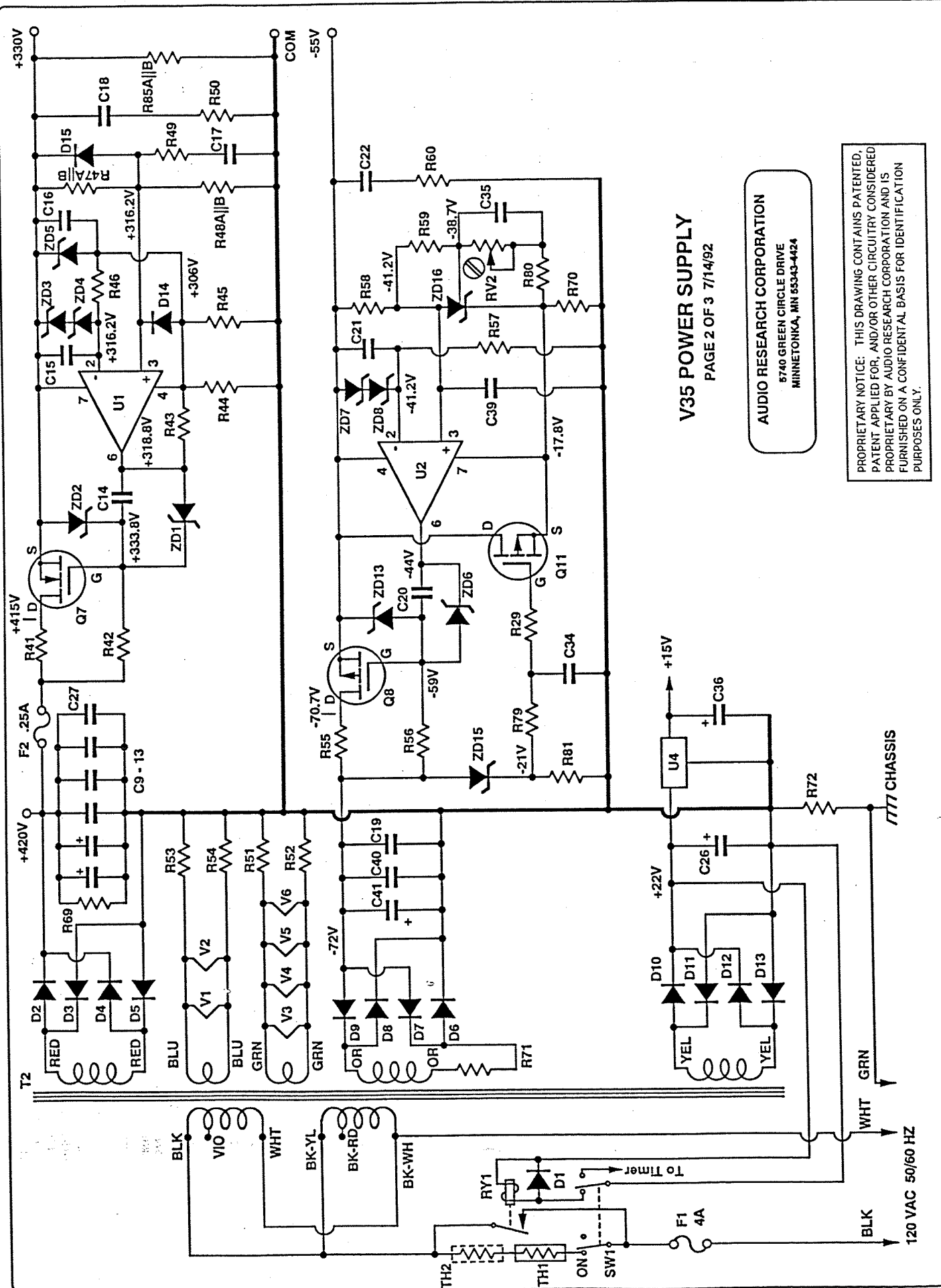
V35 AMPLIFIER



**V35 AMPLIFIER**  
PAGE 1 OF 3 7/14/92

**AUDIO RESEARCH CORPORATION**  
6740 GREEN CIRCLE DRIVE  
MINNETONKA, MN 55343-4424

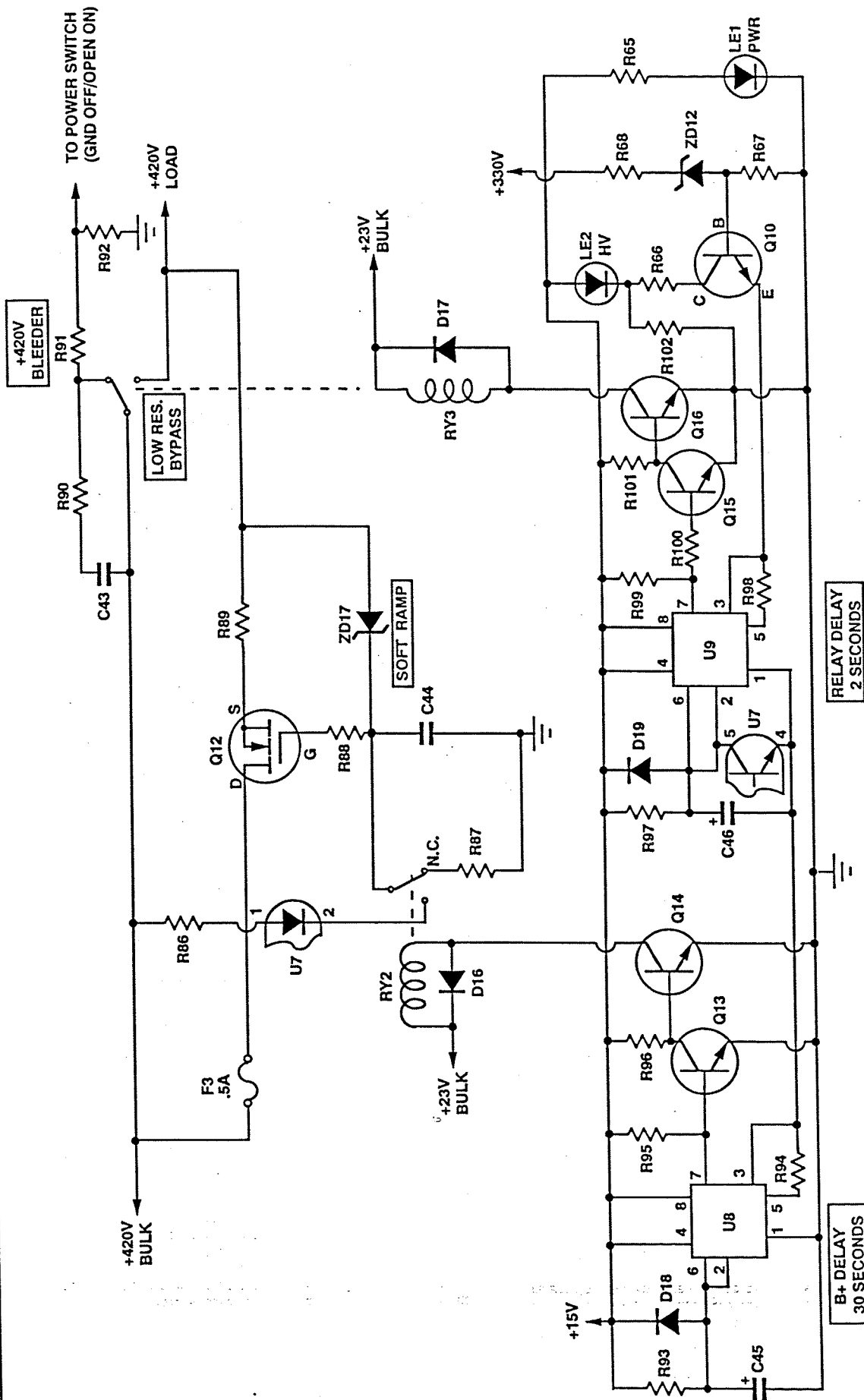
PROPRIETARY NOTICE: THIS DRAWING CONTAINS PATENTED, PATENT APPLIED FOR, AND/OR OTHER CIRCUITRY CONSIDERED PROPRIETARY BY AUDIO RESEARCH CORPORATION AND IS FURNISHED ON A CONFIDENTIAL BASIS FOR IDENTIFICATION PURPOSES ONLY.



V35 POWER SUPPLY  
PAGE 2 OF 3 7/14/92

AUDIO RESEARCH CORPORATION  
5740 GREEN CIRCLE DRIVE  
MINNETONKA, MN 55343-4424

PROPRIETARY NOTICE: THIS DRAWING CONTAINS PATENTED, PATENT APPLIED FOR, AND/OR OTHER CIRCUITRY CONSIDERED PROPRIETARY BY AUDIO RESEARCH CORPORATION AND IS FURNISHED ON A CONFIDENTIAL BASIS FOR IDENTIFICATION PURPOSES ONLY.



B+ DELAY  
30 SECONDS

RELAY DELAY  
2 SECONDS

PROPRIETARY NOTICE: THIS DRAWING CONTAINS PATENTED, PATENT APPLIED FOR, AND/OR OTHER CIRCUITRY CONSIDERED PROPRIETARY BY AUDIO RESEARCH CORPORATION AND IS FURNISHED ON A CONFIDENTIAL BASIS FOR IDENTIFICATION PURPOSES ONLY.

AUDIO RESEARCH CORPORATION  
5740 GREEN CIRCLE DRIVE  
MINNETONKA, MN 55343-4424

V35 TIMER  
PAGE 3 of 3  
B-13-92

