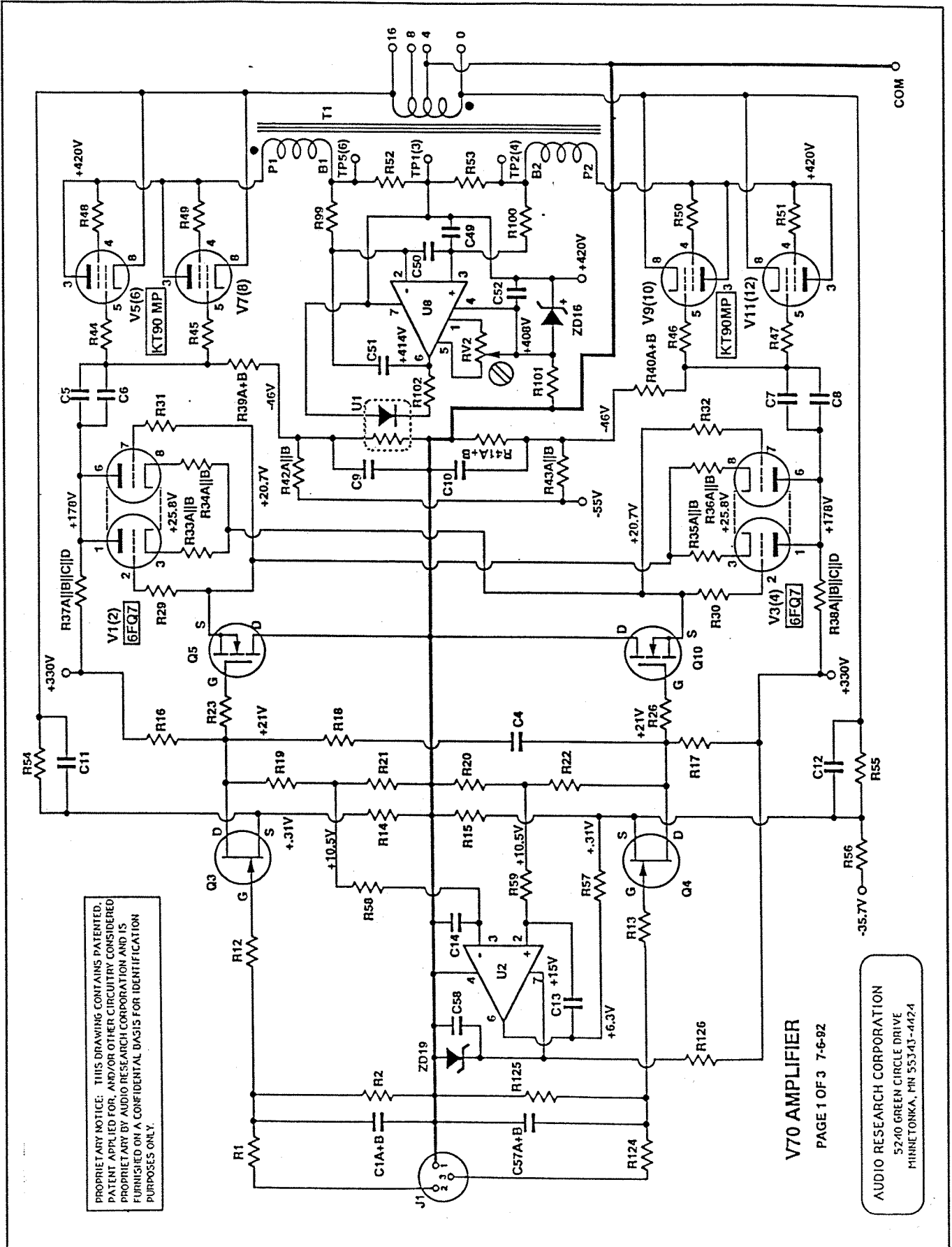


Model V70 Schematics



PROPRIETARY NOTICE: THIS DRAWING CONTAINS PATENTED, PATENT APPLIED FOR, AND/OR OTHER CIRCUITRY CONSIDERED PROPRIETARY BY AUDIO RESEARCH CORPORATION AND IS FURNISHED ON A CONFIDENTIAL BASIS FOR IDENTIFICATION PURPOSES ONLY.

V70 AMPLIFIER

PAGE 1 OF 3 7-6-82

AUDIO RESEARCH CORPORATION
5240 GREEN CIRCLE DRIVE
MINNETONKA, MN 55343-4424

Model V70 Parts List

Schematic Symbol	Quantity	ARC Part	Description	Schematic Symbol	Quantity	ARC Part	Description
C				R			
CAPACITORS				RESISTORS			
C 1A,1B,57A,57B	8	53150202	CAP. 150 PF 2 1.2% 630V PPN	R 67,87	2	42100103	RES. 10 OHM 1% MK-3 50PPM
C 4	2	53330200	CAP. 330 PF 2.5% 160V	R 68	1	46100201	RES. POWER OX.100 OHM 5% 3W
C 5,8	4	53100412	CAP. .01UF 600V	R 69,91	2	42301503	RES. 301K 1% MK-3 50PPM
C 6,7	4	53100610	CAP. 1UF 400V MIT	R 70	1	42392403	RES. 39.2K 1% MK-3 50PPM
C 9,10,47,52	7	53100408	CAP. .01 UF 10% 63V PPN	R 73,123	2	42499303	RES. 4.99K 1% MK-3 50PPM
C 11,12	4	53560103	CAP. 56 PF +/-2% 630V DPN	R 74B,104	2	42178403	RES. 17.8K 1% MK-3 50PPM
C 13,14,32-34,43,44,46,49,51,58	16	53220507	CAP. .22 UF 10% 160V	R 75A	1	42280513	RES. 280K1% MK-4 50PPM
C 16-19	4	50800801	CAP. 800 UF 450V GRAY	R 75B	1	42562513	RES. 562K 1% MK-4 50PPM
C 20,21,36	3	53200602	CAP. 2 UF +/-10% 450V	R 76	1	42332203	RES. 332 OHM 1% MK-3 50PPM
C 22,23	2	53200612	CAP. 2 UF 450V REL. SEL.	R 77,98	2	43100002	RES. 1 OHM 2W 5% W.W.
C 24-27,31,35,54	7	53100406	CAP. .01 UF +/-10% 630V	R 79,80	4	42100303	RES. 1K 1% MK-3 50PPM
C 28	1	50680800	CAP. 1000UF 35V	R 81	1	42196403	RES. 19.6K 1% MK-3 50PPM
C 29	1	50100909	CAP. 1000 UF 100V,NICHICON	R 92	1	42432103	RES. 43.2 OHM 1% MK-3 50PPM
C 30	1	53470511	CAP. .47 UF +/-20% 250V	R 93	1	42121303	RES. 1.21K 1% MK-3 50PPM
C 39,56	2	51220601	CAP. 2.2 UF +/-10% 25V	R 96	1	42274403	RES. 27.4K 1% MK-3 50PPM
C 48	1	53200603	CAP. 2 UF +/-10% 250V	R 97	1	42499403	RES. 49.9K 1% MK-3 50PPM
C 50	2	53220306	CAP. 2200 PF 10% 100VDC	R 106	1	42133503	RES. 133K 1% MK-3 50PPM
C 53	1	53100504	CAP. .1 UF 600V	R 107	1	42100603	RES. 1 MEG 1% MK-3 50PPM
C 55	2	53100505	CAP. .1 UF 10% 63V	R 110	1	43250100	RES. 25 OHM - 5W W.W.
C 55	1	51330702	CAP. 33 UF +/-10% 16V	R 111	1	43100200	RES. 100 OHM 5% 2W
				R 112	1	43200300	RES. 2K 20W
				R 114	1	42750503	RES. 750K 1% MK-3 50PPM
				R 115,120	2	42768403	RES. 76.8K 1% MK-3 50PPM
				R 118	1	42562503	RES. 562K 1% MK-3 50PPM
D				RV			
DIODES				CONTROLS			
D 1,6-13,18,19	11	30500400	IN4005 GENERAL INSTRUMENT	RV 1	1	45100527	POT. 100 K 10%
D 2,3,4,5	4	30503310	EDAL #M4G5	RV 2	2	45500301	TRIM POT, 5K 10% 15 TURN
D 14,15,20,21	4	30500910	1N916B				
F				RY			
FUSES				RELAYS			
F 1	1	34501000	FUSE, 6-1/4 MDX	RY 1	1	64101202	RELAY, 24V (NON SELECTED)
F 2	1	34500102	FUSE, 1/4 250V	RY 2,3	2	64101300	RELAY, 24V 10A PC MNT.
F 3	1	34500280	FUSE, 3/4AMP FAST				
J				T			
CONNECTORS				TRANSFORMERS			
J 1	2	23201570	XLR CONNECTOR (Female)	T 1	1	60006000	XFR. CL60 (120V)
				T 2	2	60008100	XFR. CL60 OUTPUT
LE				TH			
PANEL INDICATOR				THERMISTORS			
LE 1,2	2	34300102	L.E.D. COLLAR & RETAINING RING	TH 1,2	2	47000300	THERMISTOR 30 OHM +/-20% CL60
Q				U			
TRANSISTORS				INTEGRATED CIRCUITS			
Q 3,4	4	30006525	FET, WHITE RED GREEN	U 1	2	34400121	PHOTO COUPLER TESTED ACCEPT
Q 5,10	4	30008109	FET, GRAY RED WHITE	U 2	2	31001900	J FET INPUT OP-AMP
Q 11	1	30006761	FET, ORANGE YELLOW BROWN	U 3,7	2	31002200	MC34071P
Q 13,17,18,19,20	5	30002800	TRANSISTOR,2N4401	U 6	1	31002000	MC7815CT
Q 14	1	30006200	MTP 2P45	U 8	2	31002401	LF 441 CN TESTED-ACCEPT
Q 15	1	30007029	FET, GRAY WHITE	U 9	1	34400400	PHOTO COUPLER
Q 16	1	30006910	FET, BROWN	U 10,11	2	31000801	TIMER
R				V			
RESISTORS				VACUUM TUBES			
R 1,124	4	42100314	RES. 1K 1% MK-5 50PPM	V 1,2,3,4	4	32000201	VAC.TUBE, 6CG7/6FQ7
R 2,125	4	42205503	RES. 205K 1% MK-3 50PPM	V 5-12	8	32001700	VAC.TUBE, KT90
R 12-15	8	42150203	RES. 150 OHM 1% MK-3 50PPM				
R 16,17	4	42825405	RES. 82.5K 1% MK-8 50PPM				
R 18,41A,41B,74A,90,94	11	42150403	RES. 15K 1% MK-3 50PPM				
R 19-22,95	9	42750303	RES. 7.5K 1% MK-3 50PPM				
R 23,26,88	5	42549103	RES. 54.9 OHM 1% MK-3 50PPM				
R 29-32	8	42499203	RES. 499 OHM 1% MK-3 50PPM				
R 33A,34A,35A,36A	8	42301303	RES. 3.01K 1% MK-3 50PPM	ZD 1,11	2	30500300	IN4740A
R 33B-36B,42A,42B,43A,43B	16	42392303	RES. 3.92K 1% MK-3 50PPM	ZD 2,3,13,14	4	31000705	LM329DZ GREEN
R 37A-37D,38A-38D,71,72,126	20	42100505	RES. 100K 1% MK-8 50PPM	ZD 4,19	3	30504210	IN5535A (KNOX ONLY)
R 39A,39B,40A,40B,102	9	42357403	RES. 35.7K 1% MK-3 50PPM	ZD 5	1	30503500	IN5359 B
R 44-47,105,116,117,119,121,122	15	42100403	RES. 10K +/-1% MK-3 50PPM	ZD 6	1	30503600	TRANSIENT SUPPRESSOR
R 48-51	8	43100202	RES. 100 OHM 2W 5%	ZD 10	1	30504700	DIODE,1N5262B
R 52,53	4	43050004	RES. 0.5 OHM +/-2% 3W W.W.	ZD 12	1	30501800	IN5245B
R 54,55	4	42511313	RES. 5.11K 1% MK-4 50PPM	ZD 15,17	2	31002600	ZENER DIODE, TL431CLP ADJ
R 56,82	3	42121503	RES. 121K 1% MK-350PPM	ZD 16	2	30502700	IN4742A
R 58,59,99,100	8	42464603	RES. 4.64 MEG. 1% MK-3 50PPM	ZD 18	1	30502500	IN4749
R 60,101,108,113	5	42300514	RES. 300K 1% MK-5 50PPM				
R 61-66,109	7	42100203	RES. 100 OHM 1% MK-3 50PPM				