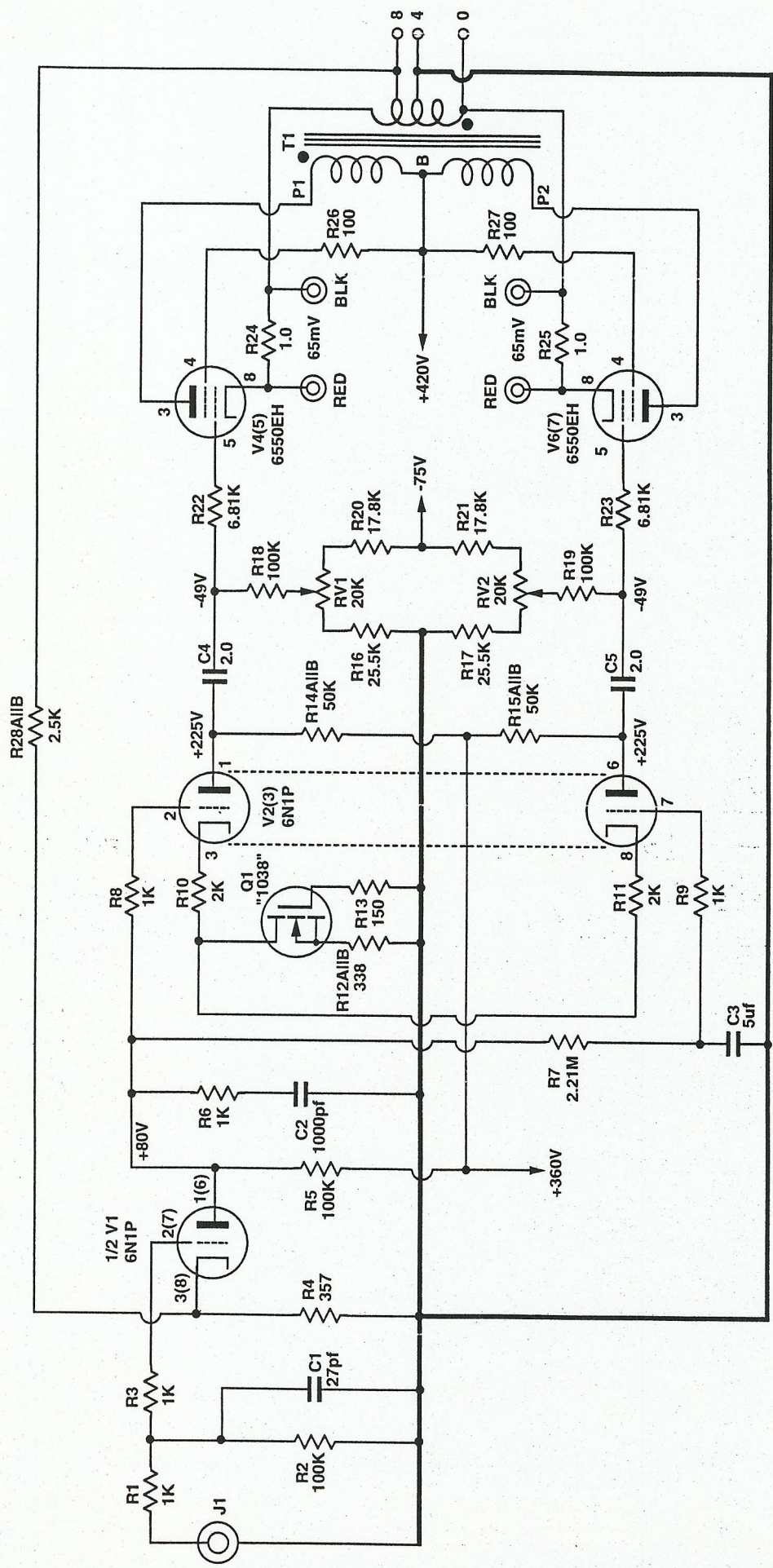


# **audio research**

H I G H D E F I N I T I O N<sup>®</sup>

3900 ANNAPOLIS LANE NORTH / PLYMOUTH, MINNESOTA 55447-5447 / PHONE: 763-577-9700 FAX 763-577-0323

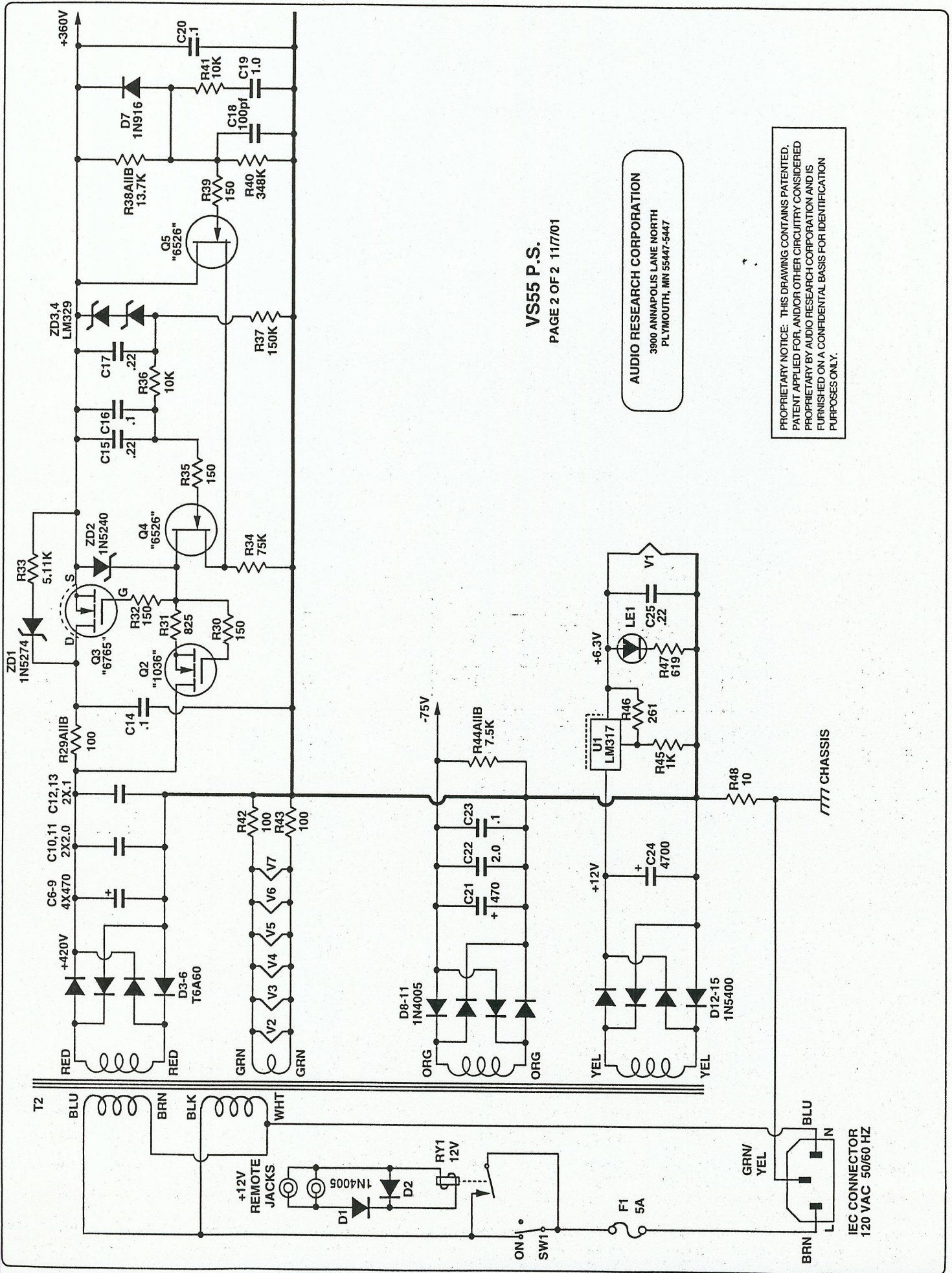
VS55 SCHEMATIC



PROPRIETARY NOTICE: THIS DRAWING CONTAINS PATENTED, PATENT APPLIED FOR, AND/OR OTHER CIRCUITRY CONSIDERED PROPRIETARY BY AUDIO RESEARCH CORPORATION AND IS FURNISHED ON A CONFIDENTIAL BASIS FOR IDENTIFICATION PURPOSES ONLY.

**AUDIO RESEARCH CORPORATION**  
 3900 ANNAPOLIS LANE NORTH  
 PLYMOUTH, MN 55447-5447





VS55 P.S.  
PAGE 2 OF 2 11/7/01

AUDIO RESEARCH CORPORATION  
3900 ANNAPOLIS LANE NORTH  
PLYMOUTH, MN 55447-5447

PROPRIETARY NOTICE: THIS DRAWING CONTAINS PATENTED, PATENT APPLIED FOR, AND/OR OTHER CIRCUITRY CONSIDERED PROPRIETARY BY AUDIO RESEARCH CORPORATION AND IS FURNISHED ON A CONFIDENTIAL BASIS FOR IDENTIFICATION PURPOSES ONLY.

IEC CONNECTOR  
120 VAC 50/60 HZ

# **audio research**

H I G H D E F I N I T I O N<sup>®</sup>

3900 ANNAPOLIS LANE NORTH / PLYMOUTH, MINNESOTA 55447-5447 / PHONE: 763-577-9700 FAX 763-577-0323

VS55 AMPLIFIER

PARTS LIST



## PARTS LIST

As of MAY 1 02

PRODUCT: VS55

NOTES: UPDATED FROM P&ID 164 ON 3/1/02

Schematic Symbol	Quantity	ARC Part #	Description
C CAPACITORS			
C1	2	53270101	CAP., 27pf $\pm$ 1pf 630V PNP
C2	2	53100304	CAP., 1000pf $\pm$ 2.5% 630V PPN
C3	2	53500606	CAP., 5 $\mu$ F $\pm$ 20% 250V
C4,5,10,11	6	53200602	CAP., 2 $\mu$ F $\pm$ 10% 450V
C6-9	4	50470807	CAP., 470 $\mu$ F 450V "LYTIC"
C12,13,14,20,23	5	53100507	CAP., 0.1 $\mu$ F $\pm$ 10% 630V
C15,17,25	3	53220507	CAP., .22 $\mu$ f $\pm$ 10% 160V
C16	1	53100510	CAP., 1uf 100V MKP2
C18	1	53100202	CAP., 100pf $\pm$ 2.5% 630V PPN
C19	1	53100800	CAP., 1 $\mu$ F $\pm$ 10% 450V
C21	1	50470802	(SS)CAP., 470 $\mu$ F 100V "LYTIC"
C22	1	53200603	CAP., 2 $\mu$ F $\pm$ 10% 250V
C24	1	50470902	(SS)CAP., 4700uf 35V
D DIODES			
D1,2,8-11	6	30500400	IN4005
D3-6	4	30503310	T6A60, TAITRON
D7	1	30500910	1N916B
D12-15	4	30501500	IN5400
F FUSES			
F1	1	34500505	(B)FUSE, 5AMP 125V MDQ OR MDX
J CONNECTORS			
J1	2	23202101	JACK, PHONO W/RED & WHT
J2,3	4	23201404	JACK, BANANA YEL
J4,5	4	23201400	JACK, BANANA BLK D160 BIAS
J6	2	23106340	POST, BLACK
J7,8	4	23106330	POST, RED
J9	1	23201800	INLET, IEC MALE POWER
J10,11	2	23202900	JACK, MINI PHONE .140"
L INDUCTORS			
L31	1	34300101	L.E.D., GREEN W/O CLIP & RING
Q TRANSISTORS			
Q1,2	3	30011016	(SS)FET, GREEN/WHITE/BLUE
Q3	1	30006765	FET, ORANGE-YELLOW-GREEN
Q4,5	2	30006526	FET, WHITE RED BLUE
R RESISTORS			
R1,3,6,8,9,45	11	42100303	RES., 1K $\Omega$ MK-3 1% 50PPM
R2,18,19	6	42100503	RES., 100K $\Omega$ MK-3 1% 50PPM
R4	2	42357203	RES., 357 $\Omega$ MK-3 1% 50PPM
R5,14A,14B,15A,15B	10	42100505	RES., 100K $\Omega$ MK-8 1% 50PPM
R7	2	42221603	RES., 2.21 MEG MK-3 1% 50PPM
R10,11	4	42200303	RES., 2K $\Omega$ MK-3 1% 50PPM



## PARTS LIST

As of MAY 1 02

PRODUCT: VS55

NOTES: UPDATED BOM IN REFERENCE TO 3/2002

Schematic Symbol	Quantity	ARC Part #	Description
R12A	2	42511203	RES., 511Ω MK-3 1% 50PPM
R12B	2	42750203	RES., 750Ω MK-3 1% 50PPM
R13,30,32,35,39	5	42150202	RES., 150Ω MK-2 1% 50PPM
R16,17	4	42255403	RES., 25.5KΩ MK-3 1% 50PPM
R20,21	4	42178403	RES., 17.8KΩ MK-3 1% 50PPM
R22,23	4	42681303	RES., 6.81KΩ MK-3 1% 50PPM
R24,25	4	43100007	RES., 1Ω 2W 5% MATCHED
R25A,28B	4	42499303	RES., 4.99KΩ MK-3 1% 50PPM
R26,27	4	43100200	RES., 100Ω 5% 2W
R29A,29B	2	42200205	RES., 200Ω MK8 1% 50PPM
R31	1	42825203	RES., 825Ω MK-3 1% 50PPM
R33	1	42511303	RES., 5.11KΩ MK-3 1% 50PPM
R34	1	42750405	RES., 75KΩ MK-8 1% 50PPM
R36,41	2	42100403	RES., 10KΩ MK-3 1% 50PPM
R37	1	42150514	RES., 150KΩ MK-5 1% 50PPM
R38A,38B	2	42274403	RES., 27.4KΩ MK-3 1% 50PPM
R40	1	42348503	RES., 348KΩ MK-3 1% 50PPM
R42,43	2	42100203	RES., 100Ω MK-3 1% 50PPM
R44	2	42150414	RES., 15KΩ MK-5 1% 50PPM
R46	1	42261203	RES., 261Ω MK3 1% 50 PPM
R47	1	42619203	RES., 619Ω MK-3 1% 50PPM
R48	1	42100103	RES., 10Ω MK-3 1% 50PPM
	RV	CONTROLS	
RV1,2	4	45200412	POT., 20KΩ TRIM #3104F-1-203K
	RY	RELAYS	
RY1	1	64102000	RELAY, 12V 14A
	SW	SWITCHES	
SW1	1	24102200	SWITCH, ROCKER
	T	TRANSFORMERS	
T1	2	60018801	XFR,OUTPUT VS55
T2	1	60018414	XFR.,POWER VS65
	U	INTEGRATED CIRCUITS	
U1	1	31004000	REGULATOR, VOLTAGE ADJ POS.
	V	VACUUM TUBES	
V1-3	3	32002200	(B)TUBE, 6N1P SVETLANA
V4-7	4	32000571	(B)TUBE, 6550EH SOVTEK TESTED



PARTS LIST

As of MAY 1 02

PRODUCT: VS55

NOTES: UPDATED BOM FOR TTPD TBA ON 3/7/02

Schematic Symbol	Quantity	ARC Part #	Description
ZD			ZENER DIODES
ZD1	1	30503800	DIODE, ZENER IN5274B
ZD2	1	30504400	IN5240B
ZD3,4	2	31000705	FET, GREEN