

audio research

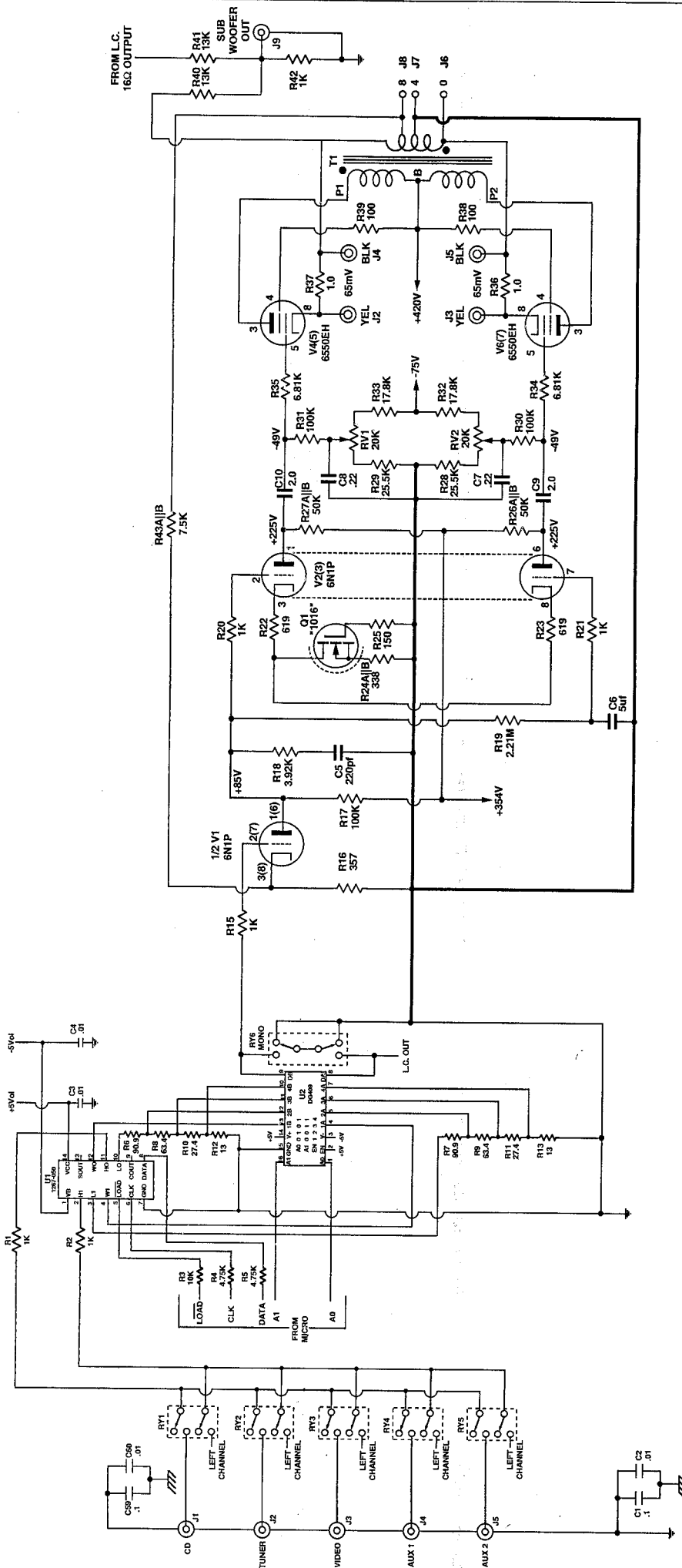
H I G H D E F I N I T I O N[®]

3900 ANNAPOLIS LANE NORTH / PLYMOUTH, MINNESOTA 55447-5447 / PHONE: 763-577-9700 FAX 763-577-0323

VSi55 AMPLIFIER

SCHEMATIC

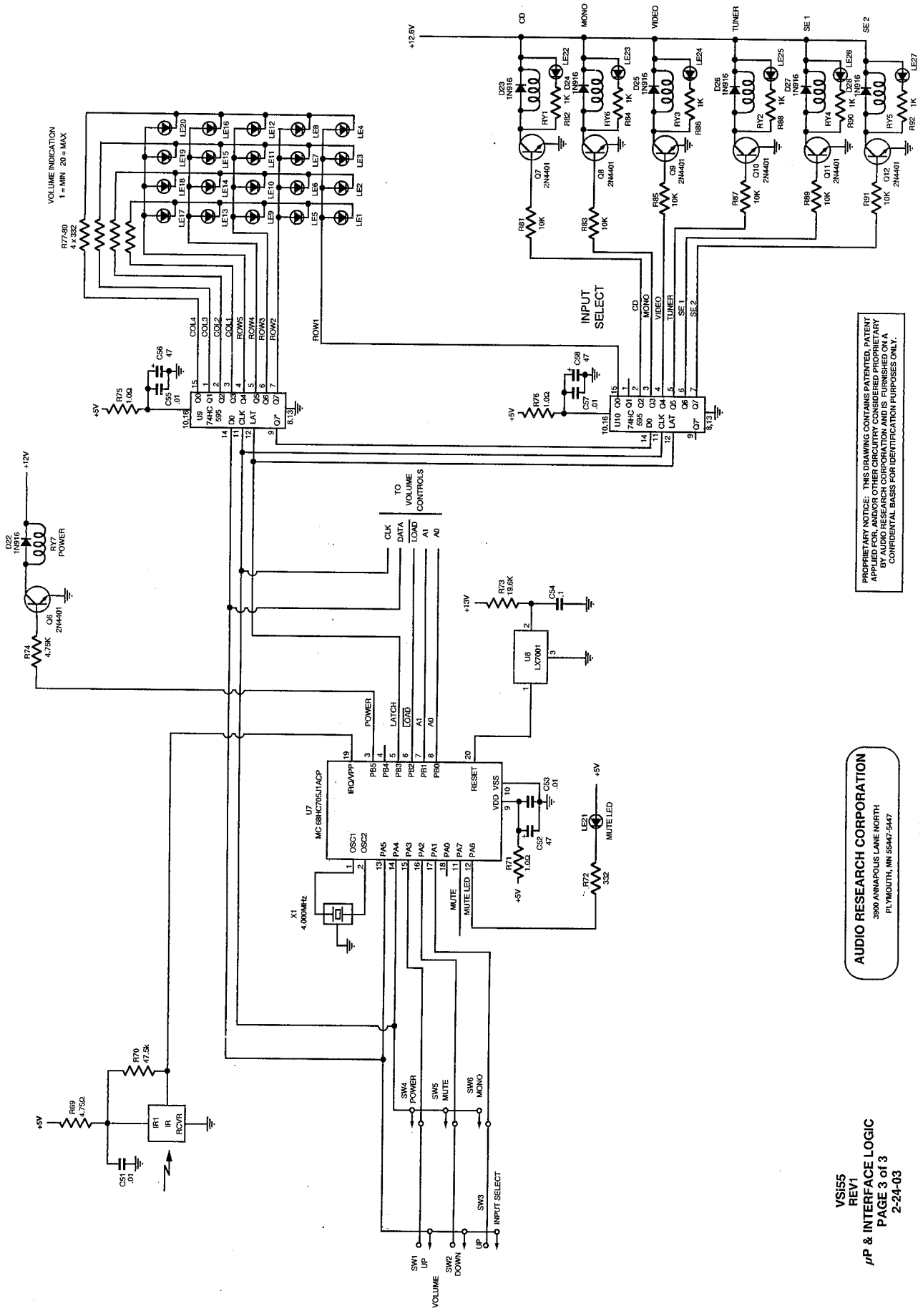
2-24-03
2-26-03
3-24-03



VS155 AUDIO
 REV1
 PAGE 1 OF 3 2/26/03

AUDIO RESEARCH CORPORATION
 3900 ANNAPOLIS LANE NORTH
 PLYMOUTH, MN 55447-5447

PROPRIETARY NOTICE: THIS DRAWING CONTAINS PATENTED
 PATENT APPLIED FOR, AND/OR OTHER CIRCUITRY CONSIDERED
 PROPRIETARY BY AUDIO RESEARCH CORPORATION AND IS
 FURNISHED ON A CONFIDENTIAL BASIS FOR IDENTIFICATION
 PURPOSES ONLY.



PROPRIETARY NOTICE: THIS DRAWING CONTAINS PATENTED, PATENT APPLIED FOR, AND/OR OTHER CIRCUITRY CONSIDERED PROPRIETARY BY AUDIO RESEARCH CORPORATION AND IS FURNISHED ON A CONFIDENTIAL BASIS FOR IDENTIFICATION PURPOSES ONLY.

AUDIO RESEARCH CORPORATION
 3900 ANNAPOLIS LANE NORTH
 PLYMOUTH, MN 55447-5447

VS155
 REV1
 μP & INTERFACE LOGIC
 PAGE 3 of 3
 2-24-03

audio research
HIGH DEFINITION®

3900 ANNAPOLIS LANE NORTH / PLYMOUTH, MINNESOTA 55447-5447 / PHONE: 763-577-9700 FAX 763-577-0323

VSi55 AMPLIFIER

PARTS LIST

3-21-03

PARTS LIST

As of MAR 21 03

PRODUCT: VSI55

Schematic Symbol	Quantity	ARC Part #	Description
C CAPACITORS			
C1,54,59,61	6	52100500	CAP., 0.1 μ f 100V \pm 20%
C2,3,4,31-34,41-44,51,53,55,57,60,62	19	52100400	CAP., .01 μ f 200V \pm 10%
C5	2	53220201	CAP., 220pf \pm 2.5% 630V PPN
C6	2	53500606	CAP., 5 μ F \pm 20% 250V
C7,8,20,22,30,37,39,40,47,49	12	53220507	CAP., .22 μ f \pm 10% 160V
C9,10,15,16	6	53200602	CAP., 2 μ F \pm 10% 450V
C11-14	4	50470807	CAP., 470 μ F 450V "LYTIC"
C17,18,	2	53100507	CAP., 0.1 μ F \pm 10% 630V
C19,25,28	3	53100512	CAP.,0.1 μ F \pm 10% 630V RTI
C21	1	53100510	CAP., 0.1 μ f 100V MKP2
C23	1	53100202	CAP., 100pf \pm 2.5% 630V PPN
C24	1	53100800	CAP., 1 μ F \pm 10% 450V
C26	1	50470811	CAP., 470 μ F 100V "LYTIC"
C27	1	53200603	CAP., 2 μ F \pm 10% 250V
C29,35,45	3	50470902	CAP., 4700 μ f 35V
C36,46,50	3	50220702	CAP., 22 μ F 50V "LYTIC"
C38,48	2	53100410	CAP., .01 μ f \pm 10% 400V
C52,56,58	3	50470701	CAP., 47 μ F 35V \pm 20%
D DIODES			
D1-4	4	30503310	T6A60, TAITRON
D5,22-28	8	30500910	1N916B
D6-9,14-21	12	30500400	IN4005
D10-13	4	30501500	IN5400
F FUSES			
F1	1	34500505	(B)FUSE, 5AMP 125V MDQ OR MDX
F2	1	34500102	(B)FUSE, 1/4 AMP 250V
IR IR RECEIVERS			
IR1	1	34100400	RECEIVER, IR VISHAY TSOP1736
J CONNECTORS			
J1-5	5	23202102	JACK, PHONO W/RED
J1-5,9	6	23202103	JACK, PHONO W/WHT
J6	2	23106340	POST, BLACK
J7,8	4	23106330	POST, RED
LE PANEL INDICATOR			
LE1-27	27	34300300	L.E.D., GREEN SPOT LTL-1234A
Q TRANSISTORS			
Q1,2	3	30011016	FET, GREEN/WHITE/BLUE
Q3	1	30006765	FET, ORANGE-YELLOW-GREEN
Q4,5	2	30006526	FET, WHITE RED BLUE
Q6-12	7	30002800	TRANSISTOR, 2N4401

PARTS LIST

As of MAR 21 03

PRODUCT: VSI55

Schematic Symbol	Quantity	ARC Part #	Description
R RESISTORS			
R1,2	2	42100314	RES., 1K Ω MK-5 1% 50PPM
R3,81,83,85,87,89,91	7	42100402	RES., 10K Ω MK-2 1% 50 PPM
R4,5,74	3	42475302	RES., 4.75K Ω MK-2 1% 50 PPM
R6,7	2	42909102	RES., 90.9 Ω MK-2 1% 50 PPM
R8,9	2	42634102	RES., 63.4 Ω MK-2 1% 50 PPM
R10,11	2	42274103	RES., 27.4 Ω MK-3 1% 50PPM
R12,13	2	42130102	RES., 13.0 Ω MK-2 1% 50 PPM
R15,20,21,42,60,24B	10	42100303	RES., 1K Ω MK-3 1% 50PPM
R16	2	42357203	RES., 357 Ω MK-3 1% 50PPM
R18	2	42392303	RES., 3.92K Ω MK-3 1% 50PPM
R19	2	42221603	RES., 2.21 MEG MK-3 1% 50PPM
R24A	2	42511203	RES., 511 Ω MK-3 1% 50PPM
R25,45,47,50,54	6	42150202	RES., 150 Ω MK-2 1% 50PPM
R26A,26B,27A,27B,17	10	42100505	RES., 100K Ω MK-8 1% 50PPM
R28,29	4	42255403	RES., 25.5K Ω MK-3 1% 50PPM
R30,31	4	42100503	RES., 100K Ω MK-3 1% 50PPM
R32,33	4	42178403	RES., 17.8K Ω MK-3 1% 50PPM
R34,35	4	42681303	RES., 6.81K Ω MK-3 1% 50PPM
R36,37	4	43100007	RES., 1 Ω 2W 5% MATCHED
R38,39	4	43100200	RES., 100 Ω 5% 2W
R40,41	2	42130403	RES., 13K Ω MK-3 1% 50PPM
R43A,43B	4	42150403	RES., 15K Ω MK-3 1% 50PPM
R44A,44B	2	42200205	RES., 200 Ω MK8 1% 50PPM
R46	1	42825203	RES., 825 Ω MK-3 1% 50PPM
R48	1	42511303	RES., 5.11K Ω MK-3 1% 50PPM
R49	1	42750405	RES., 75K Ω MK-8 1% 50PPM
R51,56	2	42100403	RES., 10K Ω MK-3 1% 50PPM
R52	1	42150514	RES., 150K Ω MK-5 1% 50PPM
R53A	1	42237403	RES., 23.7K Ω MK-3 1% 50PPM
R53B	1	42348403	RES., 34.8K Ω MK-3 1% 50PPM
R55	1	42348503	RES., 348K Ω MK-3 1% 50PPM
R57,58	2	42100203	RES., 100 Ω MK-3 1% 50PPM
R59	1	42150414	RES., 15K Ω MK-5 1% 50PPM
R61	1	42261203	RES., 261 Ω MK3 1% 50 PPM
R62,64,66,22,23	7	42619203	RES., 619 Ω MK-3 1% 50PPM
R63,65,67	3	42205203	RES., 205 Ω MK-3 1% 50PPM
R68	1	42100103	RES., 10 Ω MK-3 1% 50PPM
R69	1	42475002	RES., 4.75 Ω MK-2 1% 50 PPM
R70	1	42475402	RES., 47.5K Ω MK-2 1% 50 PPM
R71,75,76	4	42100002	RES., 1 Ω MK-2 1% 50 PPM
R72,77-80	5	42332202	RES., 332 Ω MK-2 1% 50PPM
R73	1	42196403	RES., 19.6K Ω MK-3 1% 50PPM
R82,84,86,88,90,92	6	42100302	RES., 1K Ω MK-2 1% 50 PPM
RV CONTROLS			
RV1,2	4	45200412	POT., 20K Ω TRIM #3104F-1-203K
RY RELAYS			
RY1-6	6	64101600	RELAY, 12VDC
RY7	1	64102000	RELAY, 12V 14A

PARTS LIST

As of MAR 21 03

PRODUCT: VSI55

Schematic Symbol	Quantity	ARC Part #	Description
SW SWITCHES			
SW1-6	6	24200910	SWITCH, CD3 BLACK KS11
T TRANSFORMERS			
T1	2	60018801	XFR, OUTPUT, VS55
T2	1	60018414	XFR.,POWER VS55
T3	1	60009414	XFR., 5 VOLT DUAL
U INTEGRATED CIRCUITS			
U1	1	31008221	IC, 50K VOLUME 1267-050 TESTED
U2	1	31003820	DUAL ANALOG SWITCH DG409DJ
U3,4,5	3	31004000	REGULATOR, VOLTAGE ADJ POS.
U6	1	31004700	REGULATOR, VOLTAGE ADJ. NEG.
U7	1	31008300	(Q)MC68HC705J1A, MOTOROLA
U8	1	31008400	LX7001CLP, LINFINITY
U9,10	2	31006800	REGISTER, LATCH
V VACUUM TUBES			
V1,2,3	3	32002200	(B)TUBE, 6N1P SVETLANA
V4-8	4	32000571	(B)TUBE, 6550EH SOVTEK TESTED
X CRYSTALS			
X1	1	27000200	RESONATOR, 4Mhz #EFO-GC4004A4
ZD ZENER DIODES			
ZD1	1	30503800	DIODE, ZENER IN5274B
ZD2	1	30504400	IN5240B
ZD3,4	2	31000705	FET, GREEN