

audio research

H I G H D E F I N I T I O N[®]

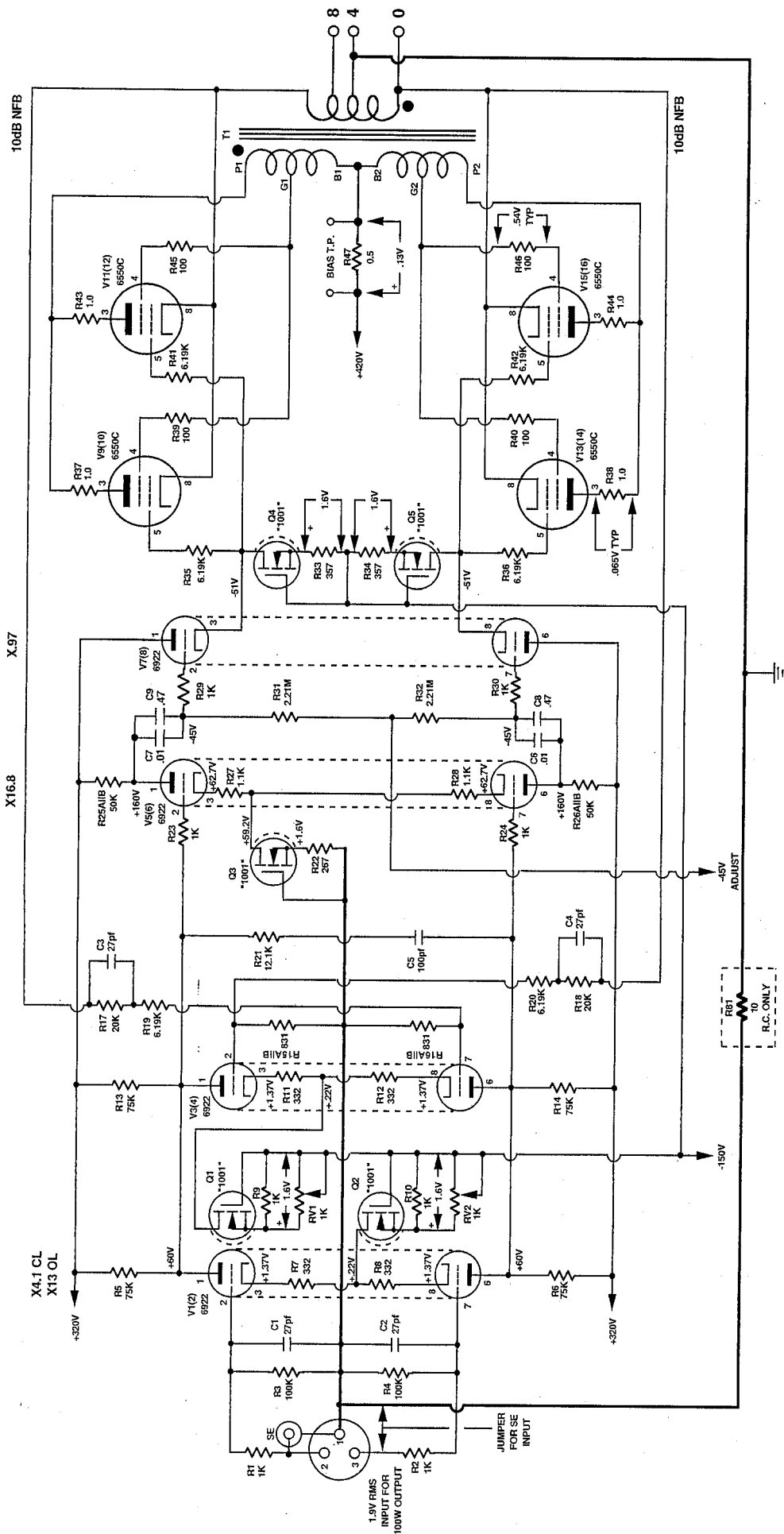
5740 GREEN CIRCLE DRIVE / MINNETONKA, MINNESOTA 55343-4424 / PHONE 612/939-0600 FAX 612/939-0604

VT100 AMPLIFIER

SCHEMATIC

5-15-96

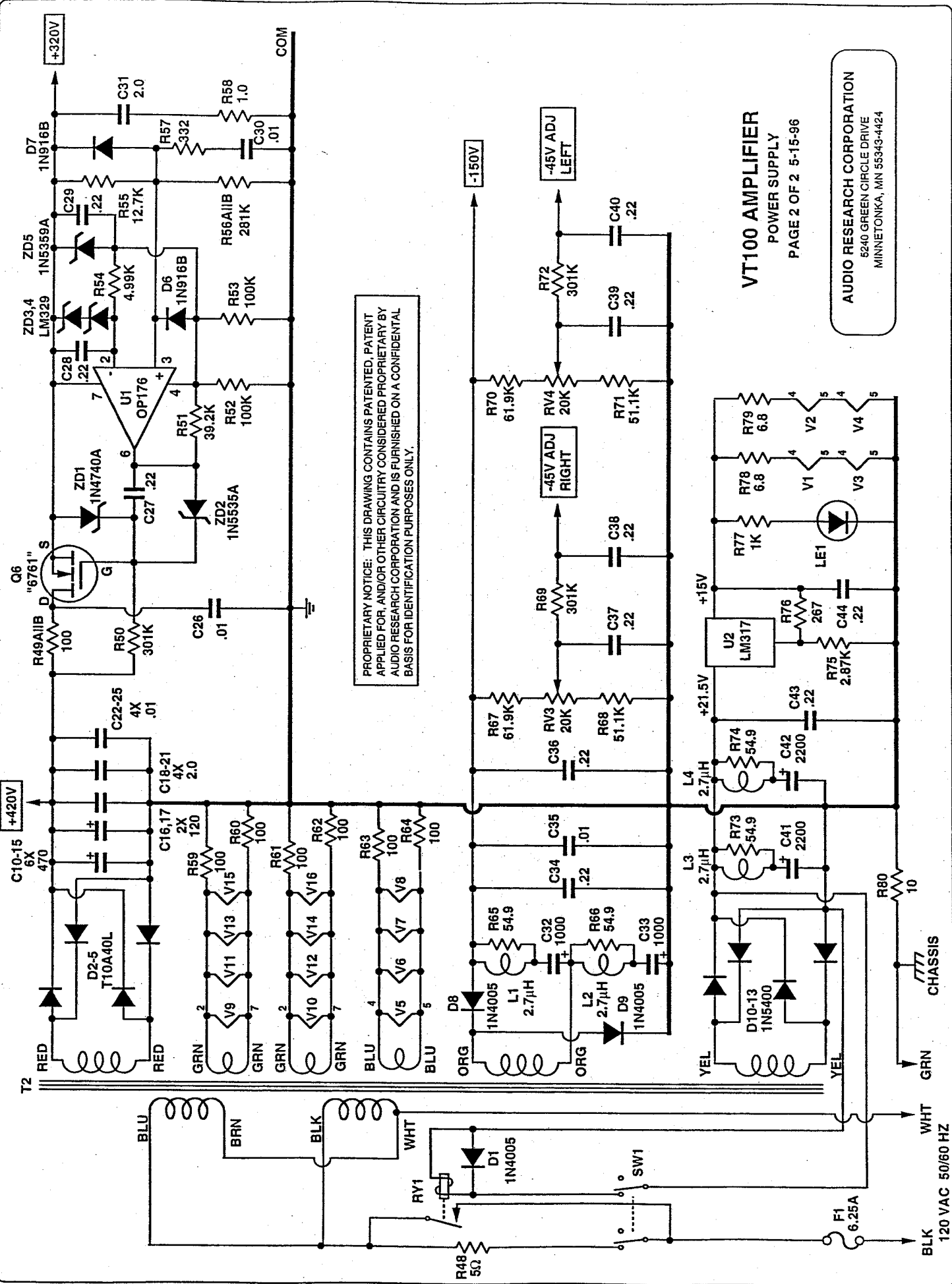
6-26-96



PROPRIETARY NOTICE: THIS DRAWING CONTAINS PATENTED, PATENT PENDING AND UNPATENTED INFORMATION. IT IS THE PROPERTY OF AUDIO RESEARCH CORPORATION AND IS FURNISHED ON A CONFIDENTIAL BASIS FOR IDENTIFICATION PURPOSES ONLY.

AUDIO RESEARCH CORPORATION
 5740 GREEN CIRCLE DRIVE
 MINNETONKA, MN 55345-4434

VT100
AUDIO REV1
PAGE 1 of 2
6-26-96



PROPRIETARY NOTICE: THIS DRAWING CONTAINS PATENTED, PATENT APPLIED FOR, AND/OR OTHER CIRCUITRY CONSIDERED PROPRIETARY BY AUDIO RESEARCH CORPORATION AND IS FURNISHED ON A CONFIDENTIAL BASIS FOR IDENTIFICATION PURPOSES ONLY.

VT100 AMPLIFIER

POWER SUPPLY

PAGE 2 OF 2 5-15-96

AUDIO RESEARCH CORPORATION
 6240 GREEN CIRCLE DRIVE
 MINNETONKA, MN 55343-4424

120 VAC 50/60 HZ

CHASSIS

10

R80

YEL

YEL

YEL

YEL

YEL

YEL

YEL

YEL

YEL

YEL

YEL

YEL

YEL

YEL

audio research
HIGH DEFINITION®

3900 ANNAPOLIS LANE NORTH / PLYMOUTH, MINNESOTA 55447-5447 / PHONE: 763-577-9700 FAX 763-577-0323

VT100

PARTS LIST

8-22-96

PARTS LIST

As of AUG 22 96

PRODUCT: VT100-2

NOTES: REV. LEVEL 2,

Schematic Symbol	Quantity	ARC Part #	Description
C CAPACITORS			
C1,2,3,4	8	53270101	CAP., 27pf ±1pf 630V PNP
C5	2	53100202	CAP. 100pf ±2.5% 630V PPN
C6,7,26	5	53100412	CAP., .01µF ±10% 600V RTX
C8,9	4	53470514	CAP., 0.47µF ±10% 400V PPMF
C10-15	6	50470807	CAP., 470µF 450V "LYTIC"
C16,17	2	50120801	CAP., 120µF 450V "LYTIC"
C18-21,31	5	53200602	CAP., 2µF ±10% 450V
C22-25,30	5	53100406	CAP., .01µF ±10% 630V
C27-29,34,36-40,43,44	11	53220507	CAP., .22µF ±10% 160V
C32,33	2	50100909	CAP., 1000µF 100V "LYTIC" RAD.
C35	1	53100410	CAP., .01uf ±10% 400V
C41,42	2	50220903	CAP., 2200µF 35V "LYTIC"
D DIODES			
D1,8,9	3	30500400	IN4005
D2-5	4	30505600	DIODE, T10A40L
D6,7	2	30500910	1N916B
D10-13	4	30501500	IN5400
F FUSES			
F1	1	34501000	FUSE, 6-1/4 AMP MDX BUSSMAN
J CONNECTORS			
J1	1	23201509	JACK, CHASSIS RED
J2	1	23201510	JACK, CHASSIS WHITE
J3	2	23201970	CONNECTOR, XLR FEM. #NC3FP-1-B
L INDUCTORS			
L1-4	4	61000160	CHOKE, 2.7µH ±10%
LE PANEL INDICATOR			
LE1	1	34300310	L.E.D., SPOT LTL-2231AL
Q TRANSISTORS			
Q1,2,3	4	30011011	FET, GREEN WHITE WHITE
Q6	1	30006761	FET, ORANGE YELLOW BROWN
R RESISTORS			
R1,2,23,24,29,30,15A,16A	16	42100314	RES., 1KΩ MK-5 1% 50PPM
R3,4	4	42100503	RES., 100KΩ MK-3 1% 50PPM
R5,6,13,14	8	42750405	RES., 75KΩ MK-8 1% 50PPM
R7,8,11,12,57	11	42332203	RES., 332Ω MK-3 1% 50PPM
R9,10,77	5	42100303	RES., 1KΩ MK-3 1% 50PPM
R15B,16B,54	5	42499303	RES., 4.99KΩ MK-3 1% 50PPM
R17,18	4	42200414	RES., 20KΩ MK-5 1% 50PPM
R19,20,35,36,41,42	4	42619314	RES., 6.19KΩ MK-5 1% 50PPM

PARTS LIST

As of AUG 22 96

PRODUCT: VT100-2

NOTES: REV. LEVEL 2,

Schematic Symbol	Quantity	ARC Part #	Description
R21	2	42121403	RES., 12.1K Ω MK-3 1% 50PPM
R22,76	1	42267203	RES., 267 Ω MK-3 1% 50PPM
R25A,25B,26A,26B,52,53	10	42100505	RES., 100K Ω MK-8 1% 50PPM
R27,28	4	42110303	RES., 1.10K Ω MK3 1% 25PPM
R31,32	4	42221603	RES., 2.21 MEG MK-3 1% 50PPM
R33,34	4	42357203	RES., 357 Ω MK-3 1% 50PPM
R37,38,43,44	8	43100004	RES., 1 Ω 2W 5% BLUE LINE
R39,40,45,46	8	43100200	RES., 100 Ω 5% 2W
R47	2	43050004	RES., 0.5 Ω +/-2% 3W W.W.
R48	1	43500003	RES., 5 Ω 25W \pm 10% W.W.
R49A,R49B	2	42200205	RES., 200 Ω MK8 1% 50PPM
R50,69,72	3	42301503	RES., 301K Ω MK-3 1% 50PPM
R51	1	42392403	RES., 39.2K Ω MK-3 1% 50PPM
R55	1	42127403	RES., 12.7K Ω MK-3 1% 50PPM
R56A,56B	2	42562503	RES., 562K Ω MK-3 1% 50PPM
R58	1	43100002	RES., 1 Ω 2W 5% W.W.
R59-64	6	42100203	RES., 100 Ω MK-3 1% 50PPM
R65,66,73,74	4	42549103	RES., 54.9 Ω MK-3 1% 50PPM
R67,70	2	42619403	RES., 61.9K Ω MK-3 1% 50 PPM
R68,71	2	42511403	RES., 51.1K Ω MK-3 1% 50PPM
R75	1	42287303	RES., 2.87K Ω MK-3 1% 50PPM
R78,79	2	43680000	RES., 6.8 Ω 2W \pm 5% W.W.
R80,81	2	42100103	RES., 10 Ω MK-3 1% 50PPM
	RV	CONTROLS	
RV1,2	4	45100301	POT., TRIM 1K Ω
RV3,4	2	45200412	POT., 20K Ω TRIM #3104F-1-203K
	RY	RELAYS	
RY1	1	64101200	RELAY, 24V POWER ON
	SL		
SL1	2	23202710	LINK, SHORTING SDA1
	SW	SWITCHES	
SW1	1	24102300	SWITCH, ROCKER
	T	TRANSFORMERS	
T1	2	60012220	XFR., VT100 OUTPUT
T2	1	60013914	XFR., VT100 POWER DUAL V.
	U	INTEGRATED CIRCUITS	
U1	1	31002210	OP-AMP, OP176GP
U2	1	31004000	REGULATOR, VOLTAGE ADJ POS.