

audio research

H I G H D E F I N I T I O N[®]

3900 ANNAPOLIS LANE NORTH / PLYMOUTH, MINNESOTA 55447-5447 / PHONE: 763-577-9700 FAX 763-577 0323

VT100MKII SCHEMATIC

6-30-98
4-10-98

X.99

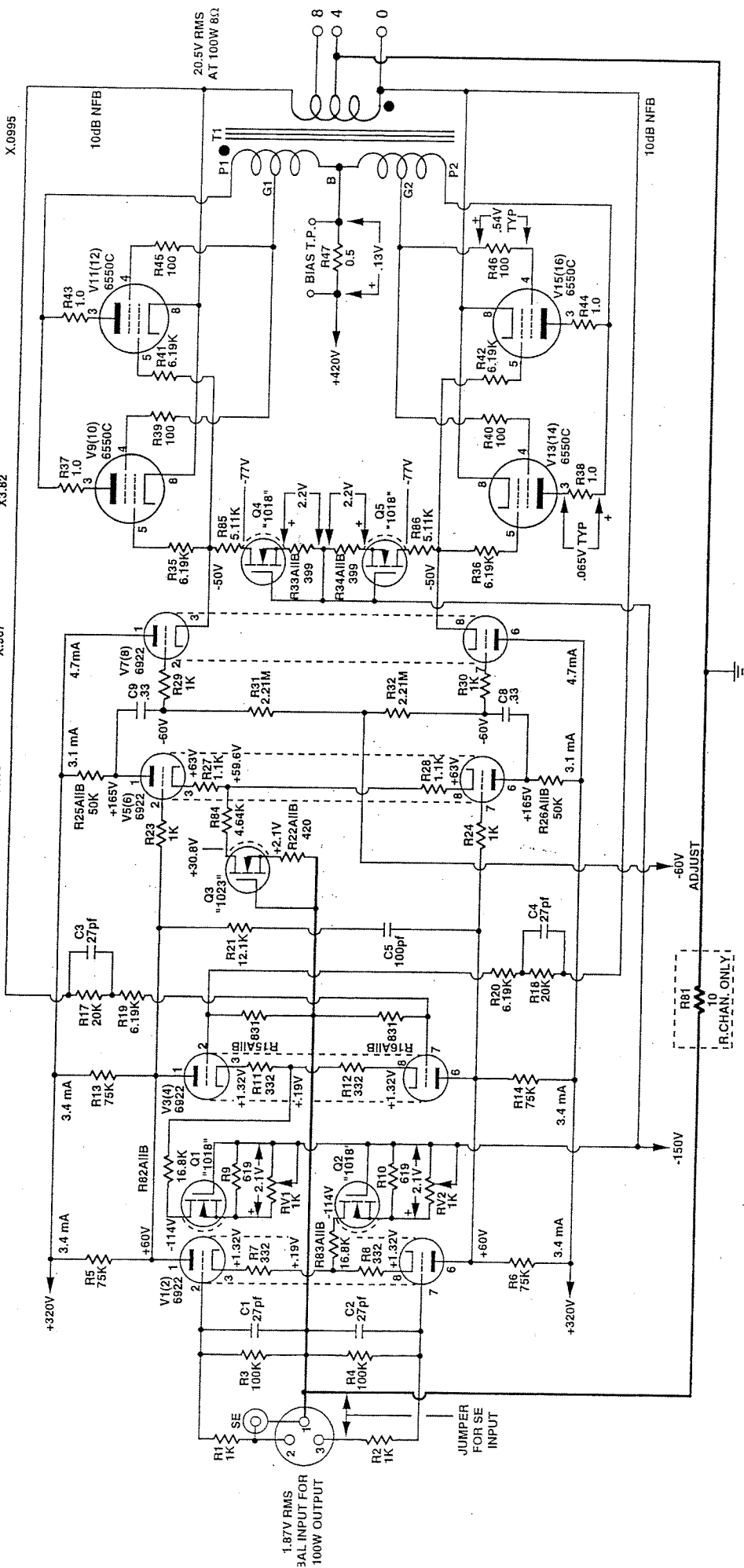
X3.79 CL
X13 OL

X15.90

X.967

X3.82

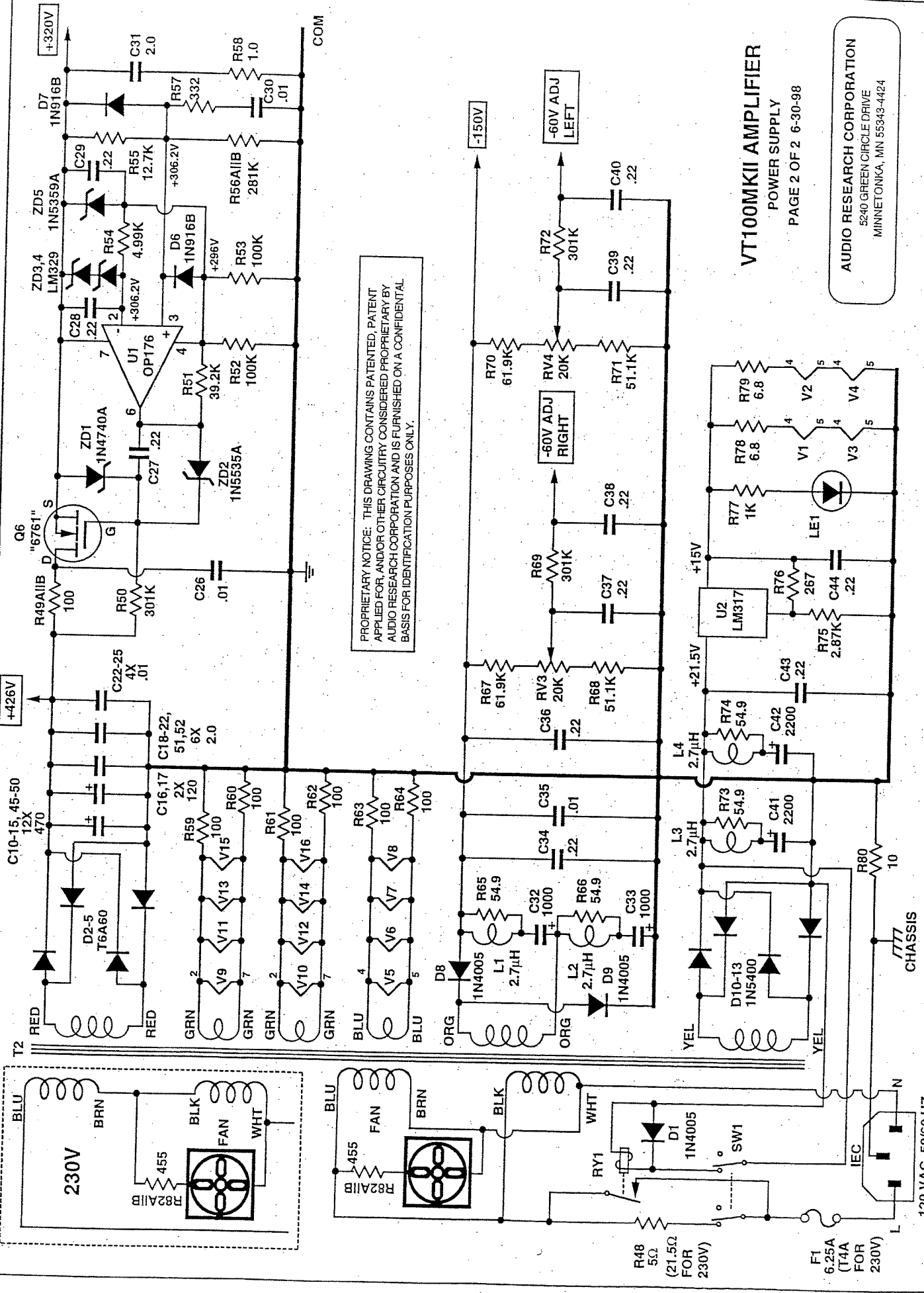
X.0995



PROPRIETARY NOTICE: THIS DRAWING CONTAINS PATENTED PATENT
 APPLIED FOR, AND/OR OTHER CIRCUITRY CONSIDERED PROPRIETARY
 BY AUDIO RESEARCH CORPORATION AND IS FURNISHED ON A
 CONFIDENTIAL BASIS FOR IDENTIFICATION PURPOSES ONLY.

AUDIO RESEARCH CORPORATION
 6740 GREEN GIRCLE DRIVE
 MINNETONKA, MN 55343-4424

VT100
 AUDIO REV11
 PAGE 1 of 2
 4-10-98



PROPRIETARY NOTICE: THIS DRAWING CONTAINS PATENTED, PATENT APPLIED FOR, AND/OR OTHER CIRCUITRY CONSIDERED PROPRIETARY BY AUDIO RESEARCH CORPORATION AND IS FURNISHED ON A CONFIDENTIAL BASIS FOR IDENTIFICATION PURPOSES ONLY.

VT100MKII AMPLIFIER

POWER SUPPLY
PAGE 2 OF 2 6-30-98

AUDIO RESEARCH CORPORATION
5240 GREEN CIRCLE DRIVE
MINNETONKA, MN 55343-4424

120 VAC 50/60 HZ
F1 6.25A (T4A FOR 230V)
R48 5Ω (21.5Ω FOR 230V)
SW1
D1 1N4005
RY1
IEC
N
L

audio research

H I G H D E F I N I T I O N[®]

3900 ANNAPOLIS LANE NORTH / PLYMOUTH, MINNESOTA 55447-5447 / PHONE: 763-577-9700 FAX 763-577-0323

VT100MKII AMPLIFIER

PARTS LIST

PARTS LIST

As of MAY 1 02

PRODUCT: VT100MKII

Schematic Symbol	Quantity	ARC Part #	Description
C CAPACITORS			
C1,2,3,4	8	53270101	CAP., 27pf \pm 1pf 630V PNP
C5	2	53100202	CAP., 100pf \pm 2.5% 630V PPN
C8,9	4	53330502	(SS)CAP., .33 μ F 425V. INF GRN
C10-15,45-50	12	50470807	CAP., 470 μ F 450V "LYTIC"
C16,17	2	50120801	CAP., 120 μ F 450V "LYTIC"
C18-22,31,51,52	7	53200602	CAP., 2 μ F \pm 10% 450V
C22-25,30	5	53100406	(SS)CAP., .01 μ f \pm 10% 630V
C26	1	53100412	CAP., .01 μ F \pm 10% 600V RTX
C27,28,29,34,36,37,38,39,40,43,44	11	53220507	CAP., .22 μ f \pm 10% 160V
C32,33	2	50100909	CAP., 1000 μ F 100V "LYTIC" RAD.
C35	1	53100410	CAP., .01 μ f \pm 10% 400V
C41,42	2	50220903	CAP., 2200 μ F 35V ELECTROLYTIC
C45-48	4	53100407	CAP., .01 μ f \pm 20% 250V
D DIODES			
D1,8,9	3	30500400	IN4005
D2-5	4	30503310	T6A60, TAITRON
D6,7	2	30500910	1N916B
D10-13	4	30501500	IN5400
F FUSES			
F1	1	34501000	(SS)FUSE, 6-1/4AMP MDX BUSSMAN
FAN FANS			
FAN1	1	64000220	FAN, PAPST 4800X
J CONNECTORS			
J1	2	23201970	CONNECTOR, XLR FEM. #NC3FP-1-B
J2	1	23201510	JACK, CHASSIS WHITE
J2	1	23201509	JACK, CHASSIS RED
J3,4,5	6	10036620	BINDING POST, & KNOB
J6	1	23201800	INLET, IEC MALE POWER
L INDUCTORS			
L1-4	4	61000160	CHOKE, 2.7 μ H \pm 10%
LE PANEL INDICATOR			
LE1	1	34300320	L.E.D., GREEN SPOT L424GDT
Q TRANSISTORS			
Q1,2,4,5	8	30011039	FET, GREEN-ORANGE-WHITE
Q3,7	3	30011037	FET, GREEN-ORANGE-VIOLET
Q6	1	30006765	FET, ORANGE-YELLOW-GREEN

PARTS LIST

As of MAY 1 02

PRODUCT: VT100MKII

Schematic Symbol	Quantity	ARC Part #	Description
R RESISTORS			
R33A/B,R34A/B	8	42127303	RES., 1.27K Ω MK-3 1% 50PPM
R1,2,15A,16A,23,24,29,30	16	42100314	RES., 1K Ω MK-5 1% 50PPM
R3,4	4	42100503	RES., 100K Ω MK-3 1% 50PPM
R5,R6,13,14	8	42750405	RES., 75K Ω MK-8 1% 50PPM
R7,8,11,12,22A,57	11	42332202	RES., 332 Ω MK-2 1% 50PPM
R9,10,22A,22B	8	42619203	RES., 619 Ω MK-3 1% 50PPM
R15B,16B,54	5	42499303	RES., 4.99K Ω MK-3 1% 50PPM
R17,18	4	42200414	RES., 20K Ω MK-5 1% 50PPM
R19,20,85	6	42619314	RES., 6.19K Ω MK-5 1% 50PPM
R21	2	42121403	RES., 12.1K Ω MK-3 1% 50PPM
R22B	2	42357302	RES., 3.57K Ω MK-2 1% 50 PPM
R25A,25B,26A,26B,52,53	10	42100505	RES., 100K Ω MK-8 1% 50PPM
R27,28	4	42110303	RES., 1.10K Ω MK3 1% 25PPM
R31,32	4	42221603	RES., 2.21 MEG MK-3 1% 50PPM
R35,36,41,42	8	42681302	RES., 6.81K Ω MK-2 1% 50 PPM
R37,38,43,44	8	43100004	RES., 1 Ω 2W 5% BLUE LINE
R39,40,45,46	8	43100208	RES., 100 Ω 5% 3W W.W.
R47	2	43050004	RES., 0.5 Ω +/-2% 3W W.W.
R48	1	43500003	RES., 5 Ω 25W \pm 10% W.W.
R49A,49B	2	42200205	RES., 200 Ω MK8 1% 50PPM
R50	1	42392303	RES., 3.92K Ω MK-3 1% 50PPM
R51	1	42392403	RES., 39.2K Ω MK-3 1% 50PPM
R55	1	42127403	RES., 12.7K Ω MK-3 1% 50PPM
R56	2	42562503	RES., 562K Ω MK-3 1% 50PPM
R58	1	43100002	RES., 1 Ω 2W 5% W.W.
R59,-64	6	42100203	RES., 100 Ω MK-3 1% 50PPM
R65,66,73,74	4	42549103	RES., 54.9 Ω MK-3 1% 50PPM
R67,70	2	42619403	RES., 61.9K Ω MK-3 1% 50 PPM
R68,71	2	42511403	RES., 51.1K Ω MK-3 1% 50PPM
R69,72	2	42301503	RES., 301K Ω MK-3 1% 50PPM
R75	1	42287303	RES., 2.87K Ω MK-3 1% 50PPM
R76	1	42267203	RES., 267 Ω MK-3 1% 50PPM
R77	1	42100303	RES., 1K Ω MK-3 1% 50PPM
R78,79	2	43680000	RES., 6.8 Ω 2W \pm 5% W.W.
R80,81	2	42100103	RES., 10 Ω MK-3 1% 50PPM
R82A,82B	2	43910201	RES., 910 Ω 2W \pm 10% W.W.
R83A,84A	4	42215414	RES., 21.5K Ω MK-5 1% 50PPM
R83B,84B	4	42768403	RES., 76.8K Ω MK-3 1% 50PPM
R86,87	4	42511313	RES., 5.11K Ω MK-4 1% 50PPM
R88,89,90,91,92,93,94	12	42150202	RES., 150 Ω MK-2 1% 50PPM
RV CONTROLS			
RV1,2	4	45100301	POT., TRIM 1K Ω
RV3,4	2	45200412	POT., 20K Ω TRIM #3104F-1-203K