

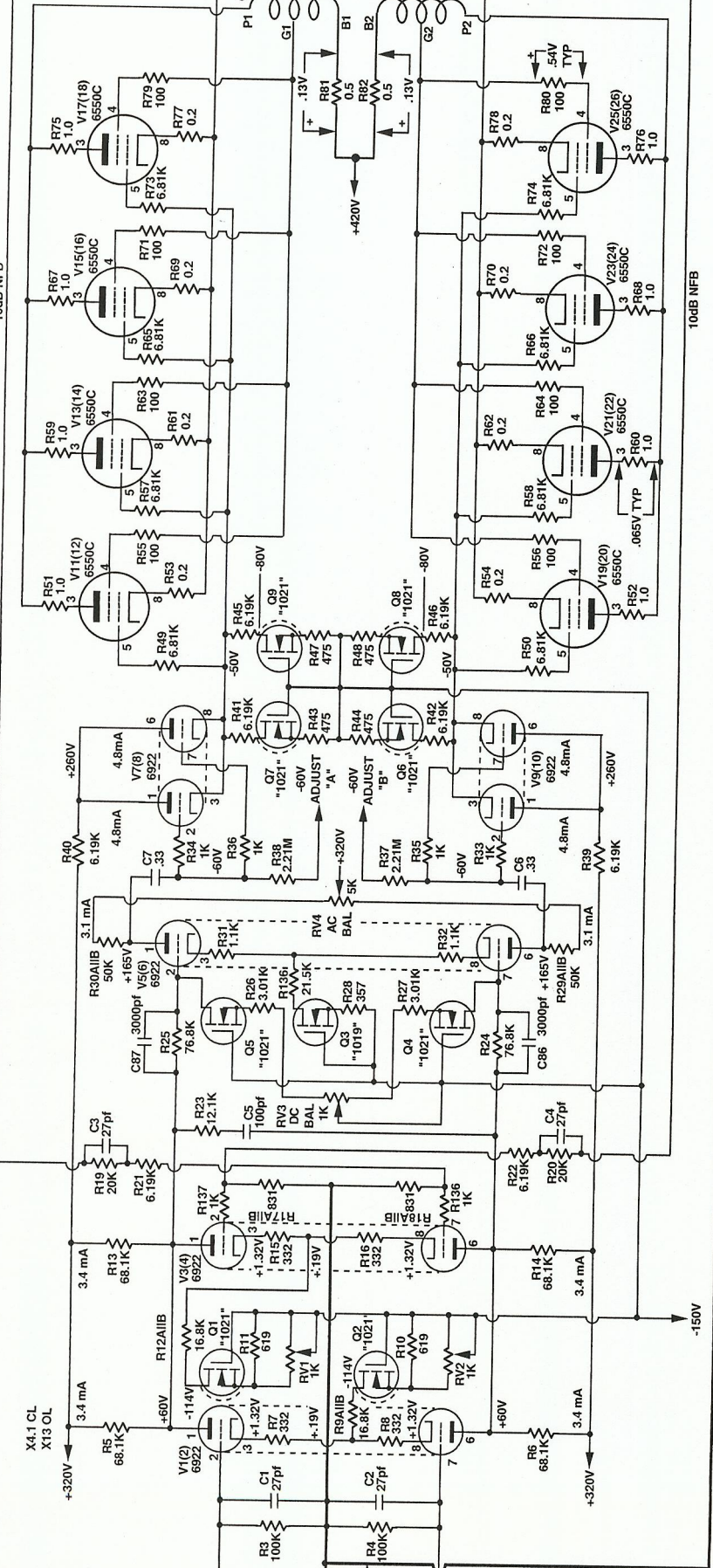
# **audio research**

H I G H D E F I N I T I O N<sup>®</sup>

3900 ANNAPOLIS LANE NORTH / PLYMOUTH, MINNESOTA 55447-5447 / PHONE: 763-577-9700 FAX 763-577-0323

## VT200 AMPLIFIER SCHEMATIC AND PARTS LIST

Schematic 6-18-97  
Parts List 10-13-97

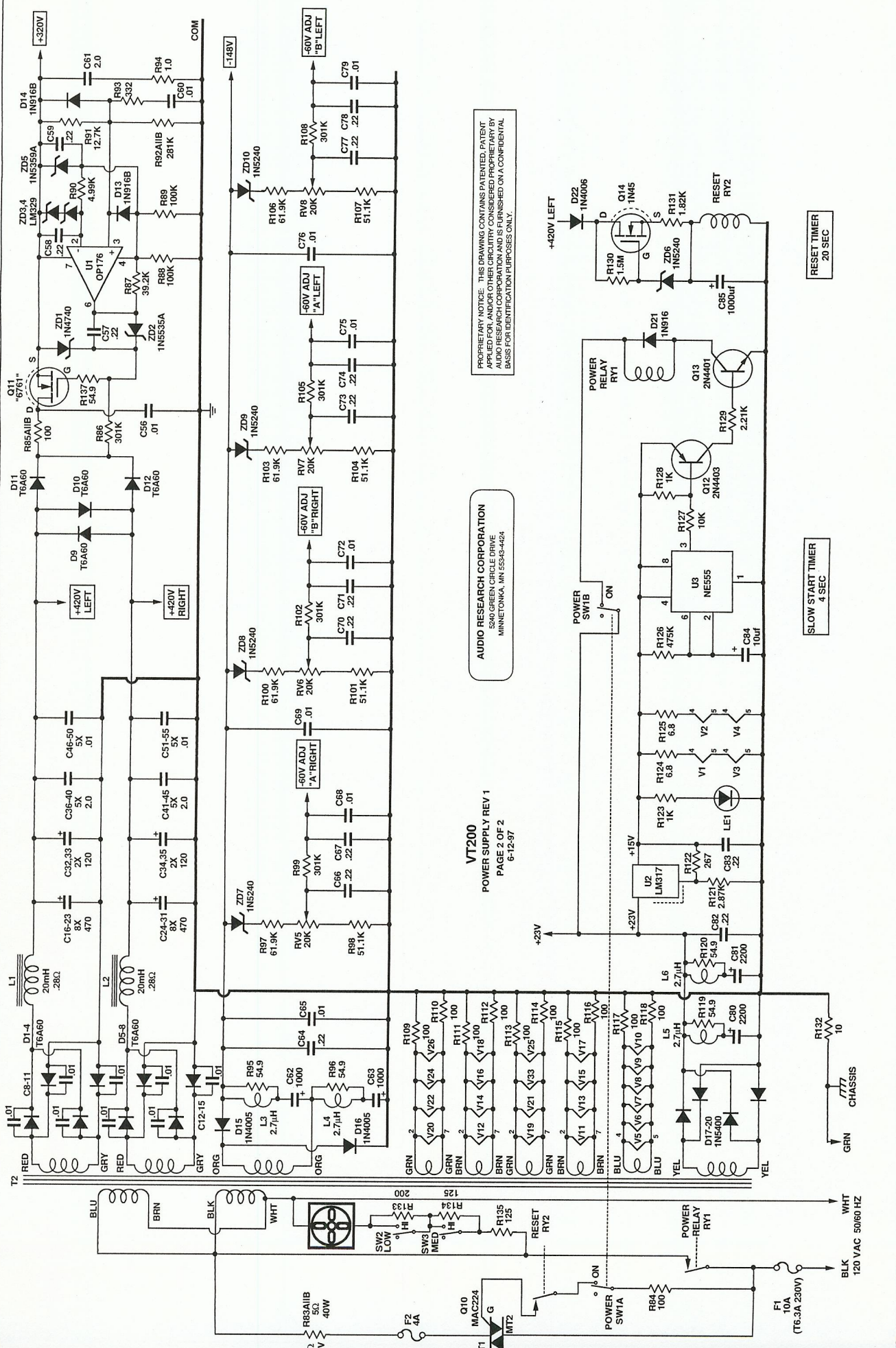


PROPRIETARY NOTICE: THIS DRAWING CONTAINS PATENTED, PATENT PENDING, AND UNPATENTED INFORMATION CONSIDERED PROPRIETARY BY AUDIO RESEARCH CORPORATION AND IS NOT TO BE REPRODUCED OR TRANSMITTED IN ANY FORM OR BY ANY MEANS, ELECTRONIC OR MECHANICAL, INCLUDING PHOTOCOPYING, RECORDING, OR BY ANY INFORMATION STORAGE AND RETRIEVAL SYSTEM, WITHOUT THE WRITTEN PERMISSION OF AUDIO RESEARCH CORPORATION. THIS DOCUMENT IS A CONFIDENTIAL BASIS FOR IDENTIFICATION PURPOSES ONLY.

**AUDIO RESEARCH CORPORATION**  
 3740 GREEN CIRCLE DRIVE  
 MINNETONKA, MN 55345-4424

VT200  
 AUDIO  
 PAGE 1 of 2  
 6-18-97





VT200  
POWER SUPPLY REV 1  
PAGE 2 OF 2  
6-12-97

AUDIO RESEARCH CORPORATION  
5240 GREEN CIRCLE DRIVE  
MINNETONKA, MN 55343-4424

PROPRIETARY NOTICE: THIS DRAWING CONTAINS PATENTED, PATENT APPLIED FOR, AND/OR OTHER CIRCUITRY CONSIDERED PROPRIETARY BY AUDIO RESEARCH CORPORATION AND IS FURNISHED ON A CONFIDENTIAL BASIS FOR IDENTIFICATION PURPOSES ONLY.

RESET TIMER  
20 SEC

SLOW START TIMER  
4 SEC

CHASSIS  
GRN

WHT  
120 VAC 50/60 HZ

BLK  
120 VAC 230V

## PARTS LIST

As of OCT 13 97

PRODUCT: VT200

Schematic Symbol	Quantity	ARC Part #	Description
<b>C CAPACITORS</b>			
C1,2,3,4	8	53270101	CAP., 27pf $\pm$ 1pf 630V PNP
C5	2	53100202	CAP. 100pf $\pm$ 2.5% 630V PPN
C6,7	4	53330502	CAP., .33 $\mu$ F 425V. INFINCAP GRN
C7,8	4	42768403	RES., 76.8K $\Omega$ MK-3 1% 50PPM
C8-15	8	53100407	CAP., .01 $\mu$ f $\pm$ 20% 250V
C16-31	16	50470807	CAP., 470 $\mu$ F 450V "LYTIC"
C32-35	4	50120801	CAP., 120 $\mu$ F 450V "LYTIC"
C36-45,61	11	53200602	CAP., 2 $\mu$ F $\pm$ 10% 450V
C46-55,60	11	53100406	CAP., .01 $\mu$ F $\pm$ 10% 630V
C56	1	53100412	CAP., .01 $\mu$ F $\pm$ 10% 600V RTX
C57-59,64,66,67,70,71,73,74,77,78,82	14	53220507	CAP., .22 $\mu$ f $\pm$ 10% 160V
C 83			
C62,63	2	50100915	CAP., 1000 $\mu$ f 100V MUSE
C65,68,69,72,75,76,79	7	53100410	CAP., .01uf $\pm$ 10% 400V
C80,81	2	50220903	CAP., 2200 $\mu$ F 35V ELECTROLYTIC
C84	1	51100700	CAP., 10 $\mu$ F 20V $\pm$ 10% DIP TANT.
C85	1	50100908	CAP., 1000 $\mu$ F 63V
C86,87	4	53300303	CAP., 3000pf $\pm$ 2.5% 630V PPN
<b>D DIODES</b>			
D1-12	12	30503310	T6A60, TAITRON
D13,14,21	3	30500910	1N916B
D15,16	2	30500400	IN4005
D17-20	4	30501500	IN5400
D22	1	30502200	IN4006
<b>F FUSES</b>			
F1	1	34501014	(B)FUSE, 10 AMP MDA BUSSMANN
F2	1	34500705	(B)FUSE, 4 AMP MDQ BUSSMAN
<b>FAN FANS</b>			
FAN1	1	64000210	(B)FAN, PAPST 4800N
<b>J CONNECTORS</b>			
J1	2	23201970	CONNECTOR, XLR FEM. #NC3FP-1-B
J2	1	23201509	JACK, CHASSIS RED
J3	1	23201510	JACK, CHASSIS WHITE
<b>L INDUCTORS</b>			
L1,2	2	61000240	CHOKE, VT200
L3,4	4	61000160	CHOKE, 2.7 $\mu$ H $\pm$ 10%
<b>LE PANEL INDICATOR</b>			
LE1	1	34300320	L.E.D., GREEN SPOT L424GDT



## PARTS LIST

As of OCT 13 97

PRODUCT: VT200

Schematic Symbol	Quantity	ARC Part #	Description
Q TRANSISTORS			
Q1,2,4-9	16	30011021	FET, GREEN GREEN BROWN
Q3	2	30011019	FET, GREEN WHITE WHITE
Q10	1	30010910	TRANSISTOR, TRIAC MAC224
Q11	1	30006761	FET, ORANGE YELLOW BROWN
Q12	1	30002900	TRANSISTOR, 2N4403
Q13	1	30002800	TRANSISTOR, 2N4401
Q14	1	30006727	FET, ORANGE RED VIOLET
R RESISTORS			
R1,2,17A,18A,33-36	20	42100314	RES., 1K $\Omega$ MK-5 1% 50PPM
R3,4	4	42100503	RES., 100K $\Omega$ MK-3 1% 50PPM
R5,6,13,14	8	42681405	RES., 68.1K $\Omega$ MK-8 1% 50PPM
R7,8,15,16	8	42332202	RES., 332 $\Omega$ MK-2 1% 50PPM
R9A,12A,136	6	42215414	RES., 21.5K $\Omega$ MK-5 1% 50PPM
R10,11	4	42619203	RES., 619 $\Omega$ MK-3 1% 50PPM
R17B,18B,90	5	42499303	RES., 4.99K $\Omega$ MK-3 1% 50PPM
R19,20	4	42200414	RES., 20K $\Omega$ MK-5 1% 50PPM
R21,22,39-42,45,46	16	42619314	RES., 6.19K $\Omega$ MK-5 1% 50PPM
R23	2	42121403	RES., 12.1K $\Omega$ MK-3 1% 50PPM
R24,25	4	42768402	RES., 76.8K $\Omega$ MK-2 1% 50PPM
R26,27	4	42301302	RES., 3.01K $\Omega$ MK2 1% 50PPM
R28	2	42357203	RES., 357 $\Omega$ MK-3 1% 50PPM
R29A,29B,30A,30B,88,89	10	42100505	RES., 100K $\Omega$ MK-8 1% 50PPM
R31,32	4	42110303	RES., 1.10K $\Omega$ MK3 1% 25PPM
R37,38	4	42221603	RES., 2.21 MEG MK-3 1% 50PPM
R43,44,47,48	8	42475202	RES., 475 $\Omega$ MK-2 1% 50 PPM
R49,50,57,58,65,66,73,74	16	42681302	RES., 6.81K $\Omega$ MK-2 1% 50 PPM
R51,52,59,60,67,68,75,76	16	43100004	RES., 1 $\Omega$ 2W 5% BLUE LINE
R53,54,61,62,69,70,77,78	16	43200004	RES., 0.2 $\Omega$ 3W $\pm$ 5%
R55,56,63,64,71,72,79,80	16	43100208	RES., 100 $\Omega$ 5% 3W W.W.
R81,82	4	43050004	RES., 0.5 $\Omega$ +/-2% 3W W.W.
R83A,83B	2	43100106	RES., 10 $\Omega$ 20W W.W.
R84	1	43100200	RES., 100 $\Omega$ 5% 2W
R85A,85B	2	42200205	RES., 200 $\Omega$ MK8 1% 50PPM
R86,99,102,105,108	4	42301503	RES., 301K $\Omega$ MK-3 1% 50PPM
R86	1	42301502	RES., 301K $\Omega$ MK-2 1% 50PPM
R87	1	42392403	RES., 39.2K $\Omega$ MK-3 1% 50PPM
R91	1	42127403	RES., 12.7K $\Omega$ MK-3 1% 50PPM
R92A,92B	2	42562503	RES., 562K $\Omega$ MK-3 1% 50PPM
R93	1	42332203	RES., 332 $\Omega$ MK-3 1% 50PPM
R94	1	43100002	RES., 1 $\Omega$ 2W 5% W.W.
R95,96,119,120,137	5	42549103	RES., 54.9 $\Omega$ MK-3 1% 50PPM
R97,100,103,106	4	42619403	RES., 61.9K $\Omega$ MK-3 1% 50 PPM
R98,101,104,107	4	42511403	RES., 51.1K $\Omega$ MK-3 1% 50PPM
R109-118	10	42100203	RES., 100 $\Omega$ MK-3 1% 50PPM
R121	1	42287303	RES., 2.87K $\Omega$ MK-3 1% 50PPM
R122	1	42267203	RES., 267 $\Omega$ MK-3 1% 50PPM
R123	1	42100303	RES., 1K $\Omega$ MK-3 1% 50PPM
R124,125	2	43680000	RES., 6.8 $\Omega$ 2W $\pm$ 5% W.W.
R126	1	42475502	RES., 475K $\Omega$ MK-2 1% 50PPM
R127	1	42100402	RES., 10K $\Omega$ MK-2 1% 50 PPM
R128	1	42100302	RES., 1K $\Omega$ MK-2 1% 50 PPM
R129	1	42221302	RES., 2.21K $\Omega$ MK-2 1% 50 PPM
R130	1	42150613	RES., 1.5 MEG MK-4 1% 50PPM
R131	1	42182302	RES., 1.82K $\Omega$ MK-2 1% 50 PPM
R132	1	42100103	RES., 10 $\Omega$ MK-3 1% 50PPM

## PARTS LIST

As of OCT 13 97

PRODUCT: VT200

Schematic Symbol	Quantity	ARC Part #	Description
R133	1	43200200	RES., 200Ω 2W ±1% W.W.
R134,135	2	43125200	RES., 125Ω 4W
RV			CONTROLS
RV1,2,3	6	45100301	POT., TRIM 1KΩ
RV4	2	45500303	POT., 5KΩ TRIM VERT. 25 TURN
RV5-8	4	45200412	POT., 20KΩ TRIM #3104F-1-203K
RY			RELAYS
RY1	1	64101500	RELAY, 24V
RY2	1	64101620	RELAY, 48 VOLT VT200
SW			SWITCHES
SW1	1	24102300	SWITCH, ROCKER
SW2,3	1	24102800	SWITCH, 2-SPDT DIP VT200
T			TRANSFORMERS
T1	2	60015000	(B)XFR., VT200 OUTPUT
T2	1	60015114	(B)XFR., VT200 DUAL VOLTAGE
U			INTEGRATED CIRCUITS
U1	1	31002210	OP-AMP, OP176GP
U2	1	31004000	REGULATOR, VOLTAGE ADJ POS.
U3	1	31000800	TIMER, NE555N
V			VACUUM TUBES
V1-10	10	32001162	(B)TUBE, 6922 SILVER TESTED
V11-26	16	32000561	(B)VAC. TUBE, 6550C TESTED
ZD			ZENER DIODES
ZD1	1	30500300	IN4740A
ZD2	1	30504210	DIODE, ZENER IN5535A (KNOX)
ZD3	1	31000702	FET, RED
ZD4	1	31000703	FET, ORANGE
ZD5	1	30503500	IN5359A OR B
ZD6-10	5	30504400	IN5240B