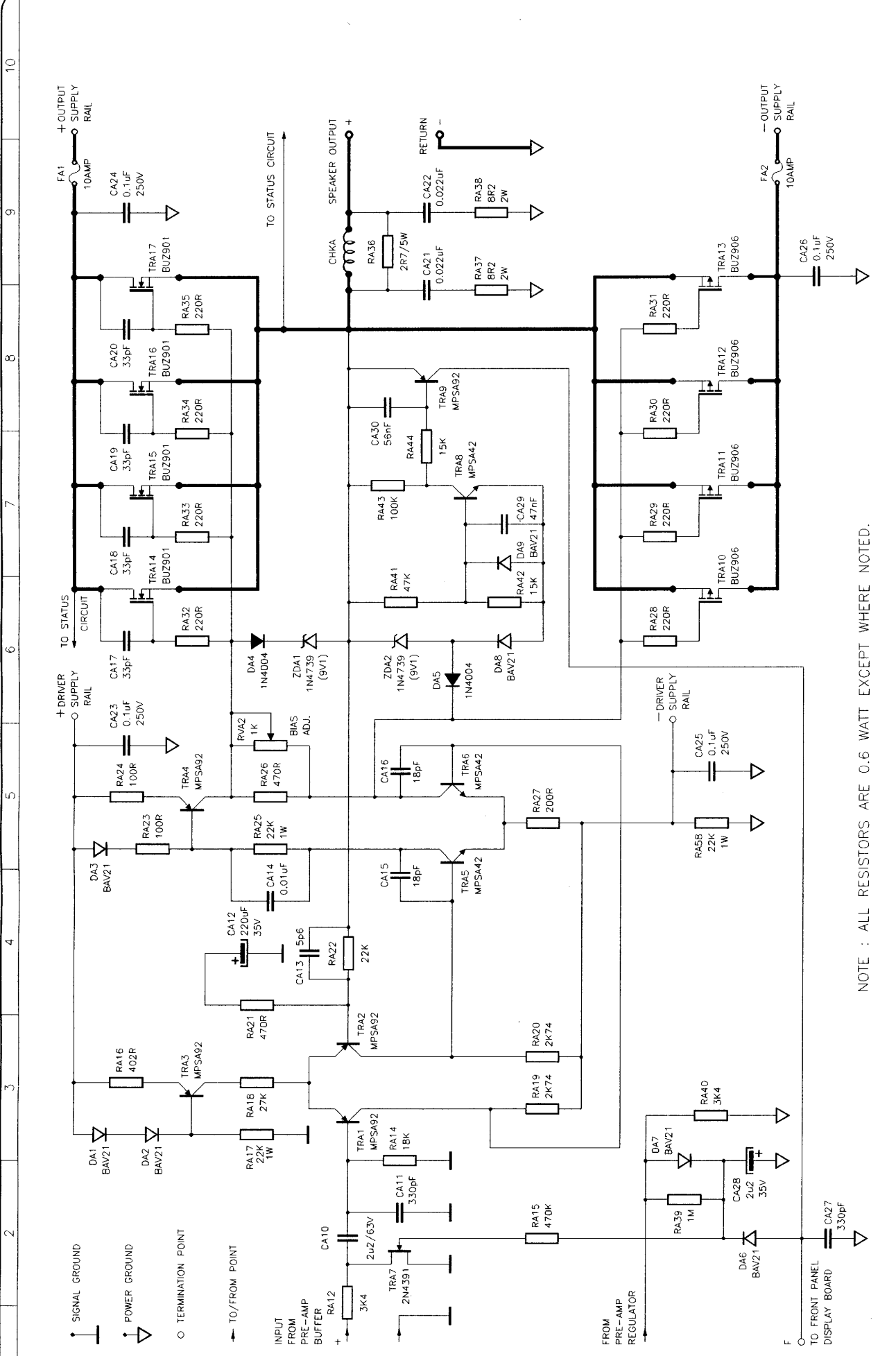


REV	ECO	REVISION NOTE	DRN	APP	DATE
A		ORIGINAL			17/11/97
B					
C					
D					
E					
F					
G					


by AUDIO TELEX COMMUNICATIONS P/L 149 BEACONSFIELD STREET SILVERWATER NSW 2128 Phone (61-2) 9647-1411 Fax (61-2) 9748-2537		PRODUCT ASPECT SHOWING PA-12 INPUT STAGE CIRCUIT AND VALUES
Australian Monitor		DRAWING/CAD REFERENCE 12_INS
THIS DRAWING AND THE INFORMATION IT CONTAINS AND IMPLIES IS THE SOLE PROPERTY OF AUDIO TELEX COMMUNICATIONS P/L AND CANNOT BE REPRODUCED IN ANY FORM WITHOUT PRIOR APPROVAL		REV A DATE 17-11-97 SHEET 1 OF 7



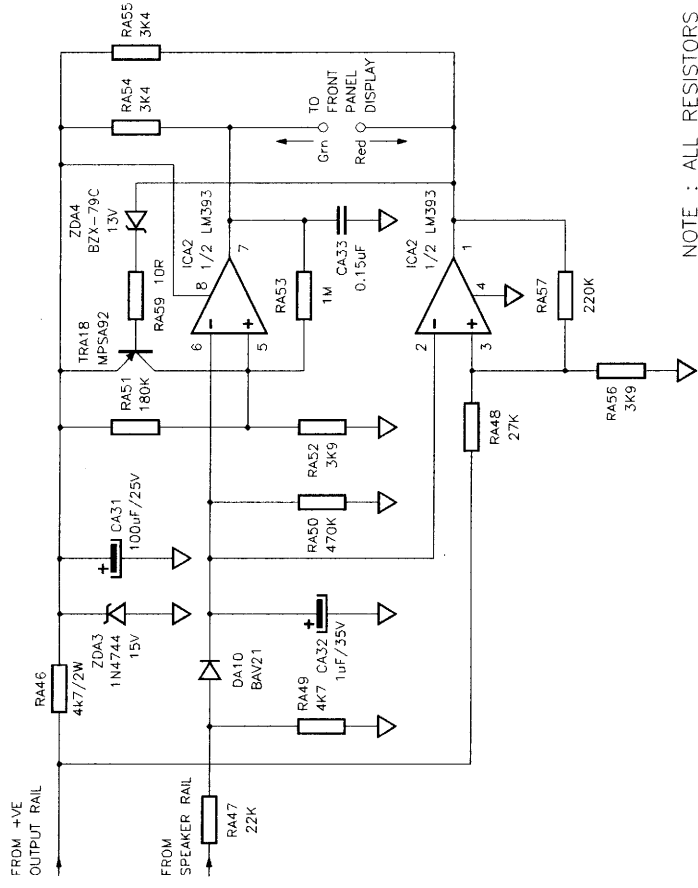
NOTE : ALL RESISTORS ARE 0.6 WATT EXCEPT WHERE NOTED.

REV	ECO	REVISION NOTE	DRN	APP	DATE
A		ORIGINAL			14/11/97
B					
C					
D					
E					
F					
G					

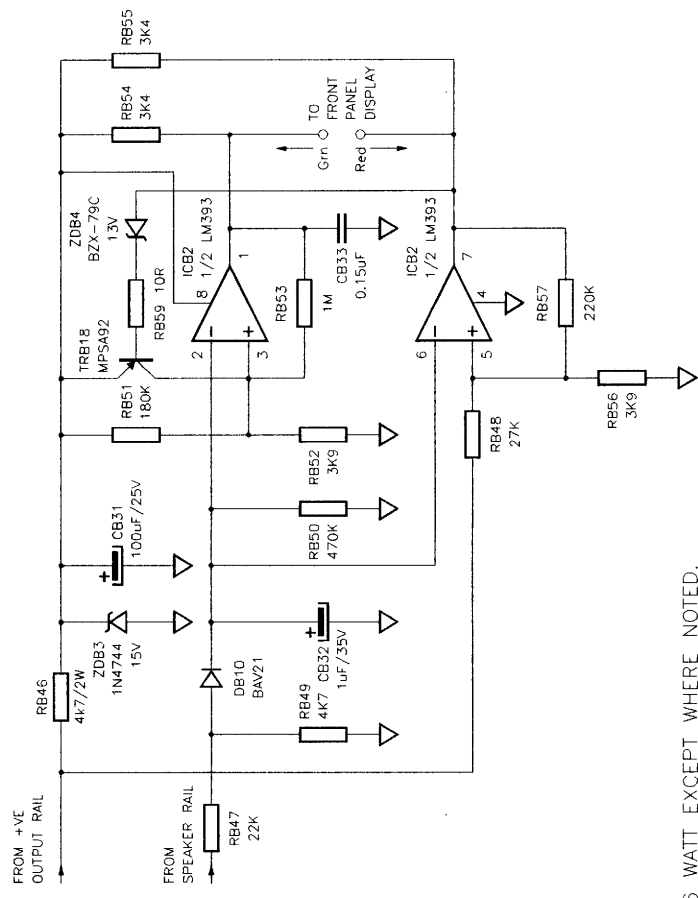
by AUDIO TELEX COMMUNICATIONS P/L
 149 BEACONSFIELD STREET
 SILVERWATER NSW 2128
 Phone (61-2) 9647-1411
 Fax (61-2) 9748-2537


Australian Monitor

PRODUCT ASPECT SHOWING: CH-A MAIN-AMP STAGE CIRCUIT AND VALUES
 DRAWING/CAD REFERENCE: 12A_MAS
 REV: 14-11-97
 SHEET 2 OF 7



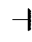

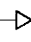
CH.A STATUS CIRCUIT

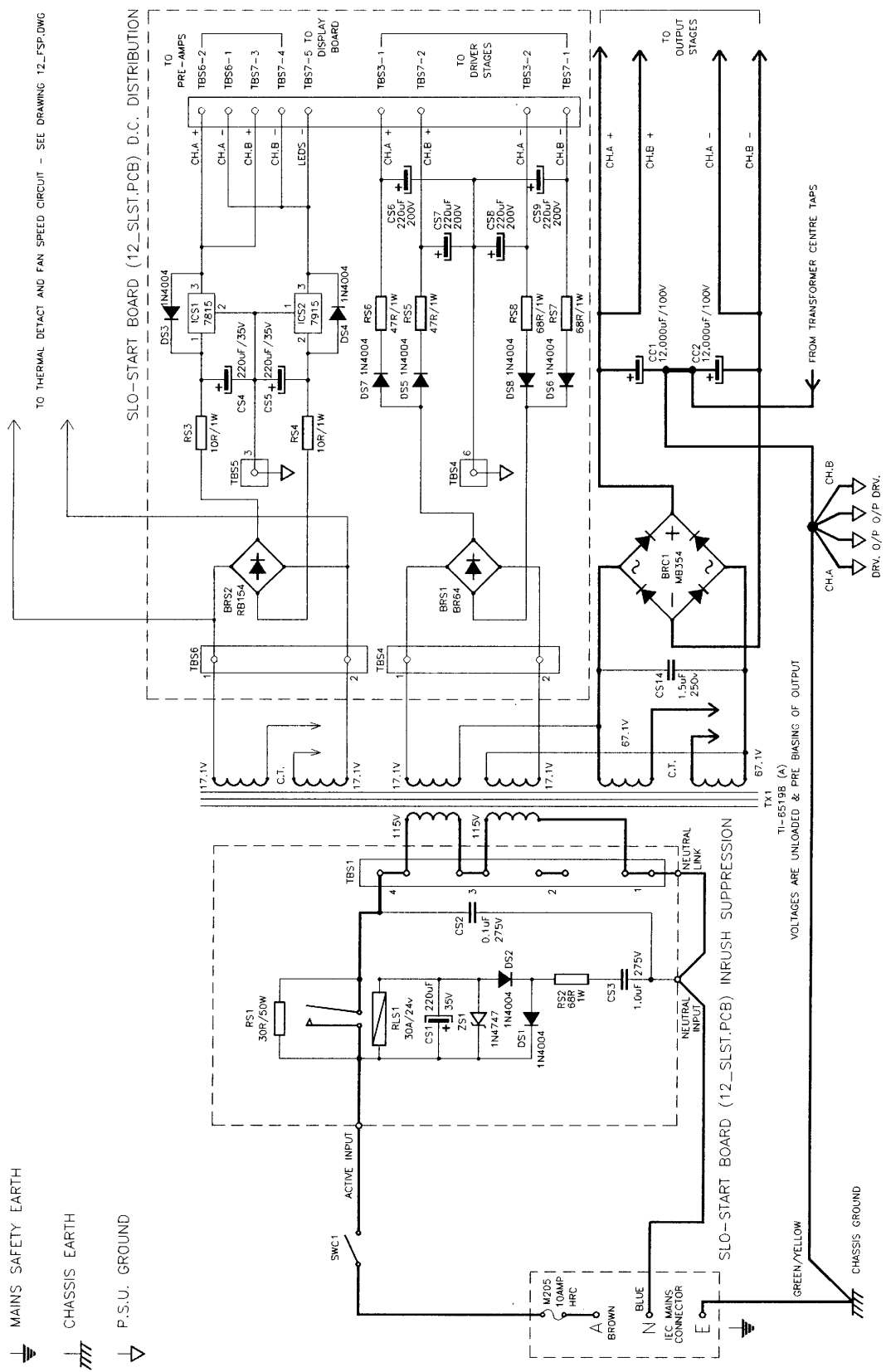


CH.B STATUS CIRCUIT

NOTE : ALL RESISTORS ARE 0.6 WATT EXCEPT WHERE NOTED.

REV ECO		REVISION NOTE		DRN	APP	DATE
A		ORIGINAL		SMEL		17/11/97
B						
C						
D						
E						
F						
G						
by AUDIO TELEX COMMUNICATIONS P/L 149 BEACONSFIELD STREET SILVERWATER NSW 2128 Phone (61-2) 9647-1411 Fax (61-2) 9748-2537						
PRODUCT ASPECT SHOWING DRAWING/CAD REFERENCE 12_STA				PA-12 STATUS CIRCUIT CIRCUIT AND VALUES REV A DATE 17-11-97 SHEET 4 OF 7		
THIS DRAWING AND THE INFORMATION IT CONTAINS AND IMPLIES IS THE SOLE PROPERTY OF AUDIO TELEX COMMUNICATIONS P/L AND CANNOT BE REPRODUCED IN ANY FORM WITHOUT PRIOR APPROVAL						

 MAINS SAFETY EARTH
 CHASSIS EARTH
 P.S.U. GROUND



PA-12
POWER SUPPLY
 CIRCUIT DIAGRAM re 230V
 DATE 30-8-99
 REV C
 SHEET 5 of 7

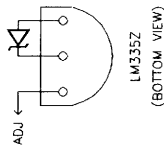
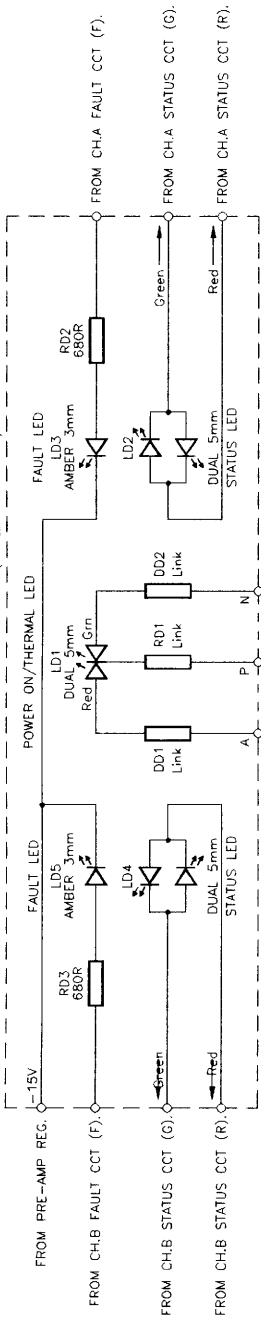
PRODUCT ASPECT SHOWING
 DRAWING/CAD REFERENCE
12PSU230

by AUDIO TELEX COMMUNICATIONS P/L
 149 BEACONSFIELD STREET
 SILVERWATER NSW 2128
 Phone (61-2) 9647-1411
 Fax (61-2) 9748-2537

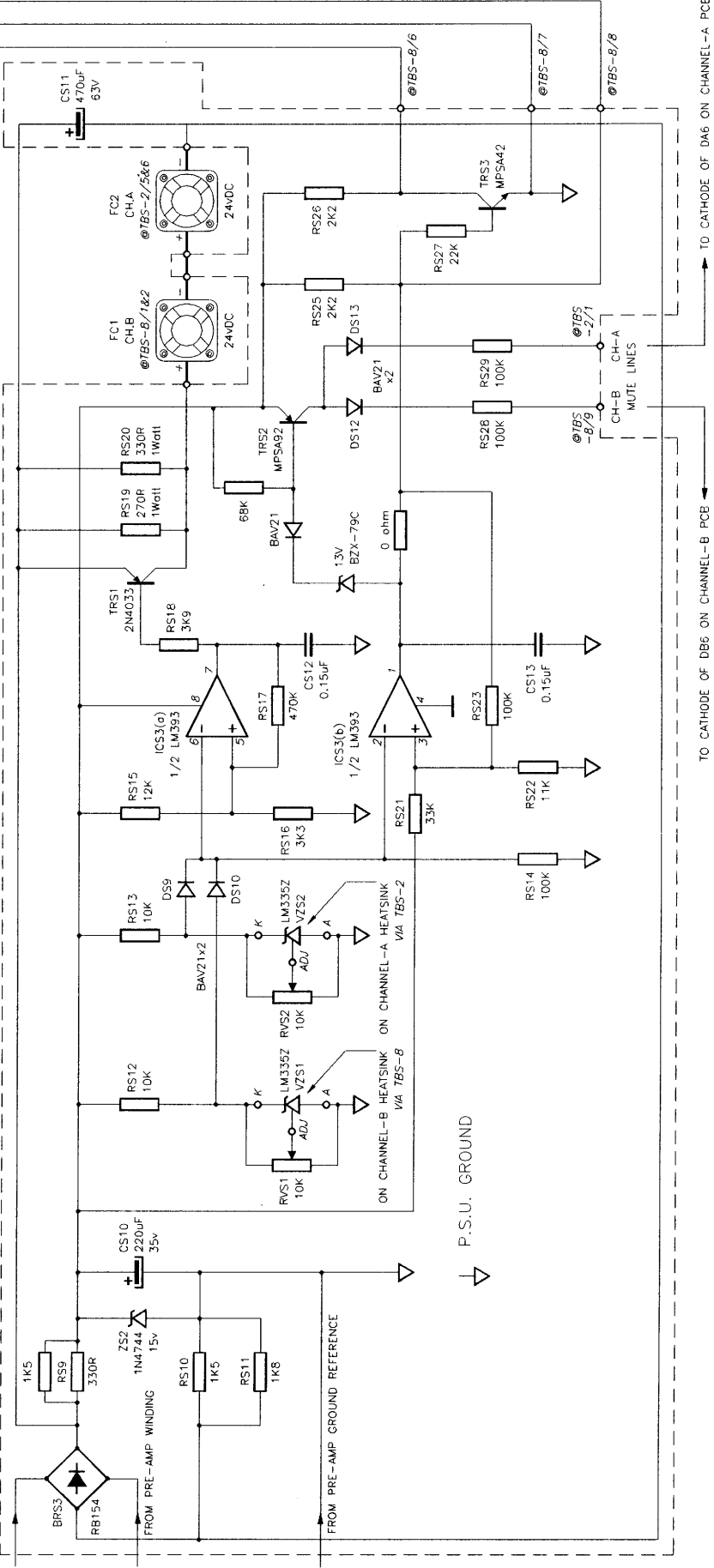
REV	ECCO	REVISION NOTE	DRN	APP	DATE
A		ORIGINAL	SM6L		27/11/97
B		ALTERED TO ACCOMMODATE NEW FAN SPEED CIRCUIT	SM6L		30/3/98
C		CS14 - 1.5uF/250V C-TICK CAP ADDED	SM6L		30/8/99
D					
E					
F					
G					

THIS DRAWING AND THE INFORMATION IT CONTAINS AND IMPLIES IS THE SOLE PROPERTY OF AUDIO TELEX COMMUNICATIONS P/L AND CANNOT BE REPRODUCED IN ANY FORM WITHOUT PRIOR APPROVAL 1999 ©

FRONT PANEL DISPLAY BOARD (12_LED.PCB)



THERMAL DETECT AND FAN SPEED CONTROL ON SLOW SMART BOARD (12_SLST.PCB)



TO CATHODE OF DB6 ON CHANNEL-B PCB

TO CATHODE OF DA6 ON CHANNEL-A PCB

NOTES:
 CIRCUIT SHOWS FAN SPEED AND THERMAL DETECTION
 THE CIRCUITRY IS SHARED ON THE SLOW START
 PRINTED CIRCUIT BOARD (12_SLST.PCB)

REV	ECO	NOTE	DRN	APP	DATE
A		ORIGINAL	SMCL		31/3/98
B		MODIFICATIONS TO FIRST RUN	SMCL		23/12/98
C					
D					
E					
F					
G					

THIS DRAWING AND THE INFORMATION IT CONTAINS AND IMPLIES IS THE SOLE PROPERTY OF AUDIO TELEX COMMUNICATIONS P/L AND CANNOT BE REPRODUCED IN ANY FORM WITHOUT PRIOR APPROVAL

PRODUCT ASPECT SHOWING
 DRAWING/CAD REFERENCE
 REV B

by AUDIO TELEX COMMUNICATIONS P/L
 149 BEACONSFIELD STREET
 SILVERWATER NSW 2128
 Phone (61-2) 9647-1411
 Fax (61-2) 9748-2537



PA-8 and PA-12
 FAN SPEED CONTROL
 CIRCUIT AND VALUES
 DATE 23-12-98
 SHEET 6 OF 7