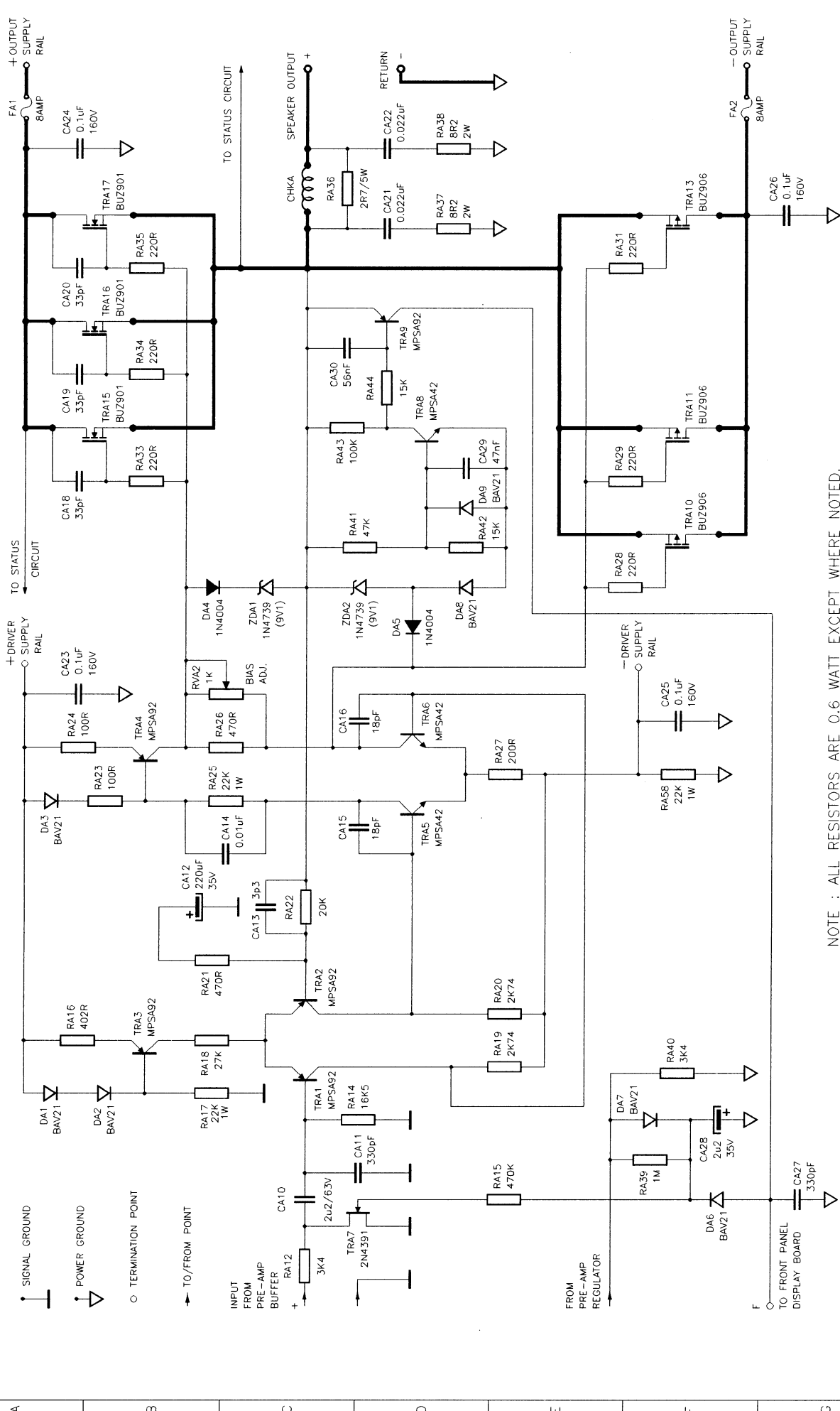


1 2 3 4 5 6 7 8 9 10



NOTE : ALL RESISTORS ARE 0.6 WATT EXCEPT WHERE NOTED.

REV ECD
 A
 B
 C
 D
 E
 F
 G

REVISION NOTE
 ORIGINAL

DRN APP DATE
 SMCL 17/11/97

PRODUCT ASPECT
 PA-8 CH-A MAIN-AMP STAGE

DRAWING/CAD REFERENCE
 8A_MAS

SHOWING
 CIRCUIT AND VALUES

REV
 17-11-97

DATE
 17-11-97

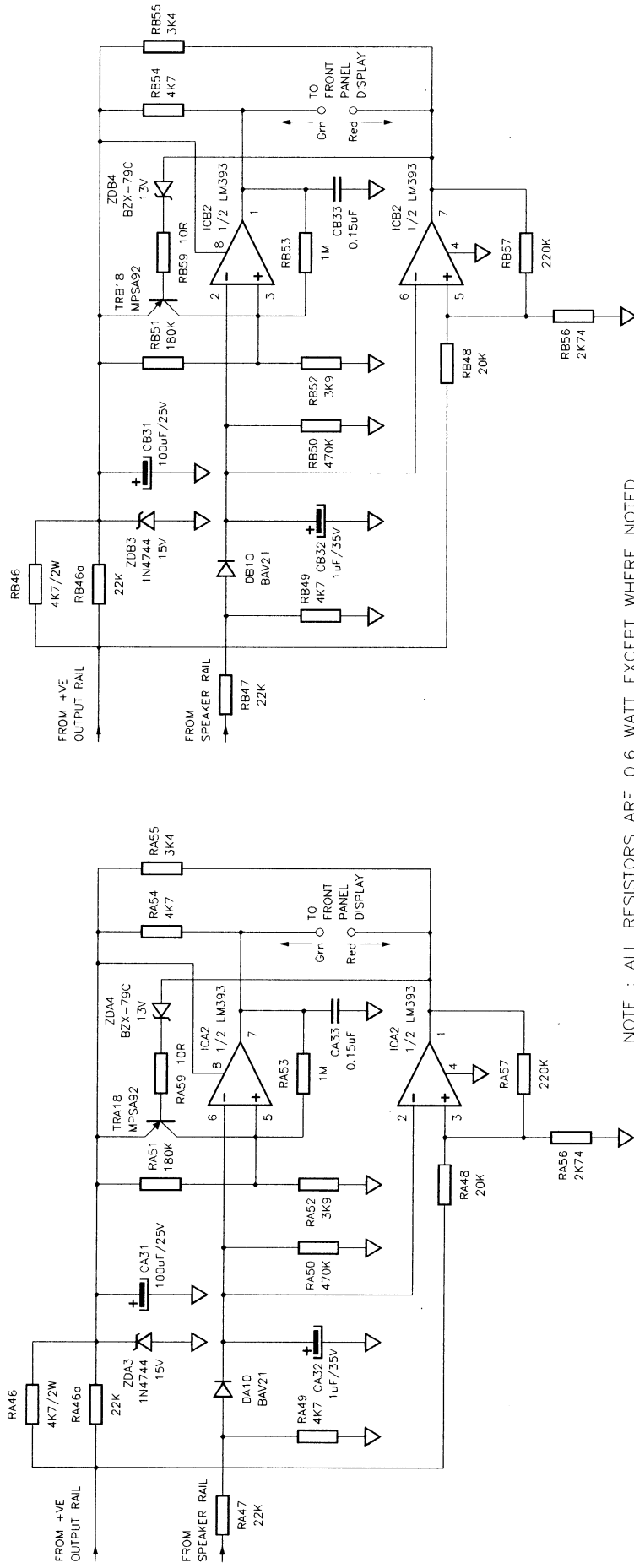
REV
 A

SHEET 2 OF 7
 1997

by AUDIO TELEX COMMUNICATIONS P/L
 149 BEACONSFIELD STREET
 SILVERWATER NSW 2128
 Phone (61-2) 9647-1411

Australian Monitor

THIS DRAWING AND THE INFORMATION IT CONTAINS AND IMPLIES IS THE SOLE PROPERTY OF AUSTRALIAN MONITOR P/L AND CANNOT BE REPRODUCED IN ANY FORM WITHOUT PRIOR APPROVAL



NOTE : ALL RESISTORS ARE 0.6 WATT EXCEPT WHERE NOTED.

CH.A STATUS CIRCUIT

CH.B STATUS CIRCUIT

NOTES:

REV	ECD	REVISION NOTE	DRN	APP	DATE
A		ORIGINAL	SMCL		17/11/97
B					
C					
D					
E					
F					
G					

Australian Monitor
 AUDIO TELEX COMMUNICATIONS P/L
 149 BEACONSFIELD STREET
 SILVERWATER NSW 2128
 Phone (61-2) 9647-1411

PRODUCT ASPECT SHOWING
 STATUS CIRCUIT
 CIRCUIT AND VALUES
 PA-8
 DRAWING/CAD REFERENCE
8_STA
 REV A
 DATE 17-11-97
 SHEET 4 OF 7