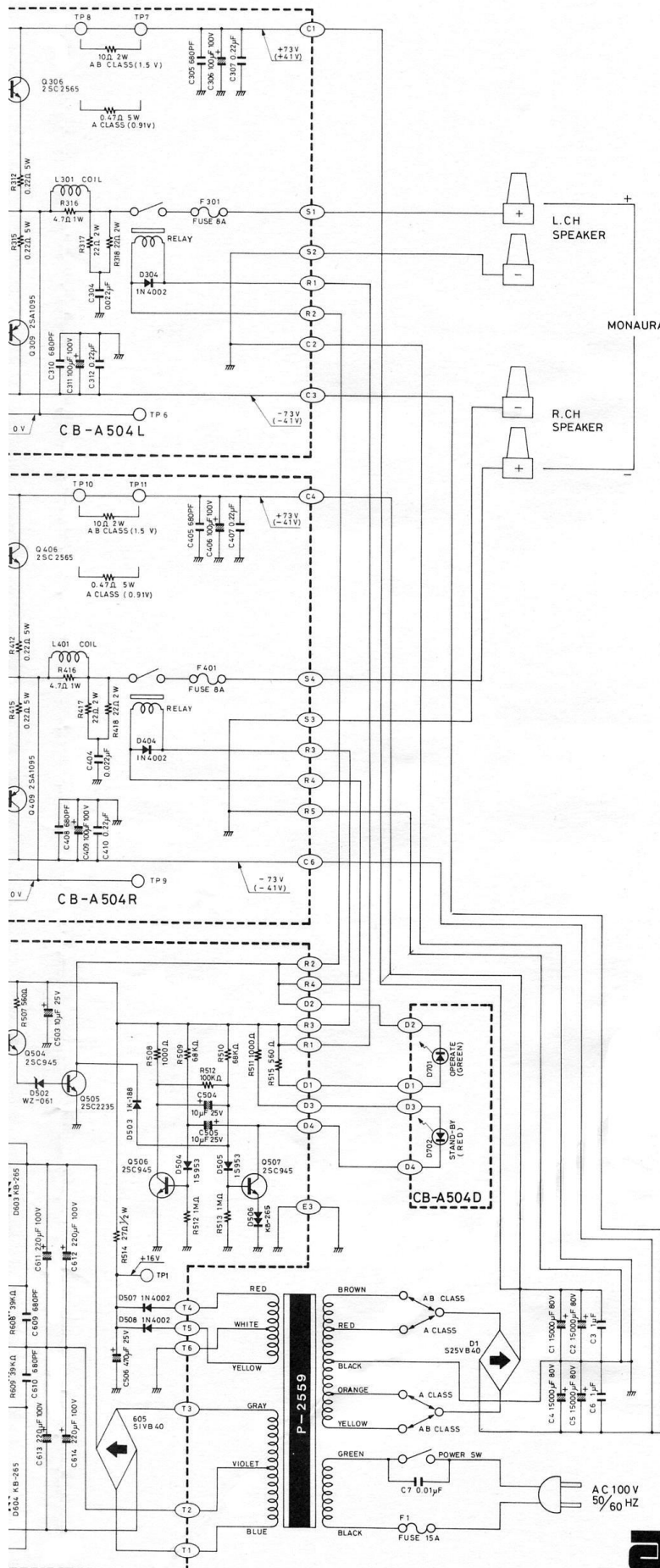


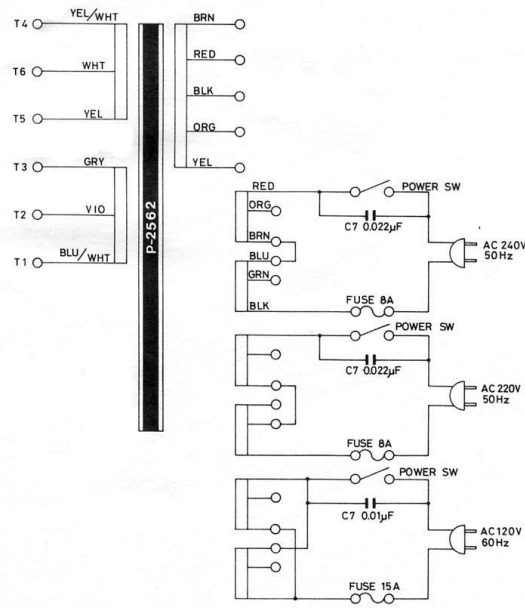
CB-A504M



- | | | | |
|--------------------------------------|---------------------------------------|--------------------|---------------------------|
| | | | |
| 2SK170 | 2SA733
2SA970
2SC945
2SC2240 | 2SA949
2SC2229 | 2SA899
2SC1904 |
| | | | |
| 2SA1011
2SC2344 | 2SA968B
2SC2238B | 2SA1095
2SC2565 | TL082 |
| | | | |
| S1VB40 | S25VB40 | 1N4002 | 1S953
1S2462
1K-188 |
| | | | |
| WZ-061
WZ-081
WZ-150
WZ-300 | KB-265 | STV-3H | LED |

VOLUMES
 VR 1, 2 INPUT LEVEL CONTROLLER
 VR101, 201 DC BALANCER
 VR301, 401 IDLING CURRENT ADJUSTOR

NOTES • UNLESS OTHERWISE SPECIFIED CAPACITY OF THE RESISTOR IS 1/4 W.
 • VOLTAGE IN () SHOWS VALUE IN CLASS-A OPERATION.
 • ----- INDICATED WIRING IS FOR MONAURAL MODE.



AVANCE Z504