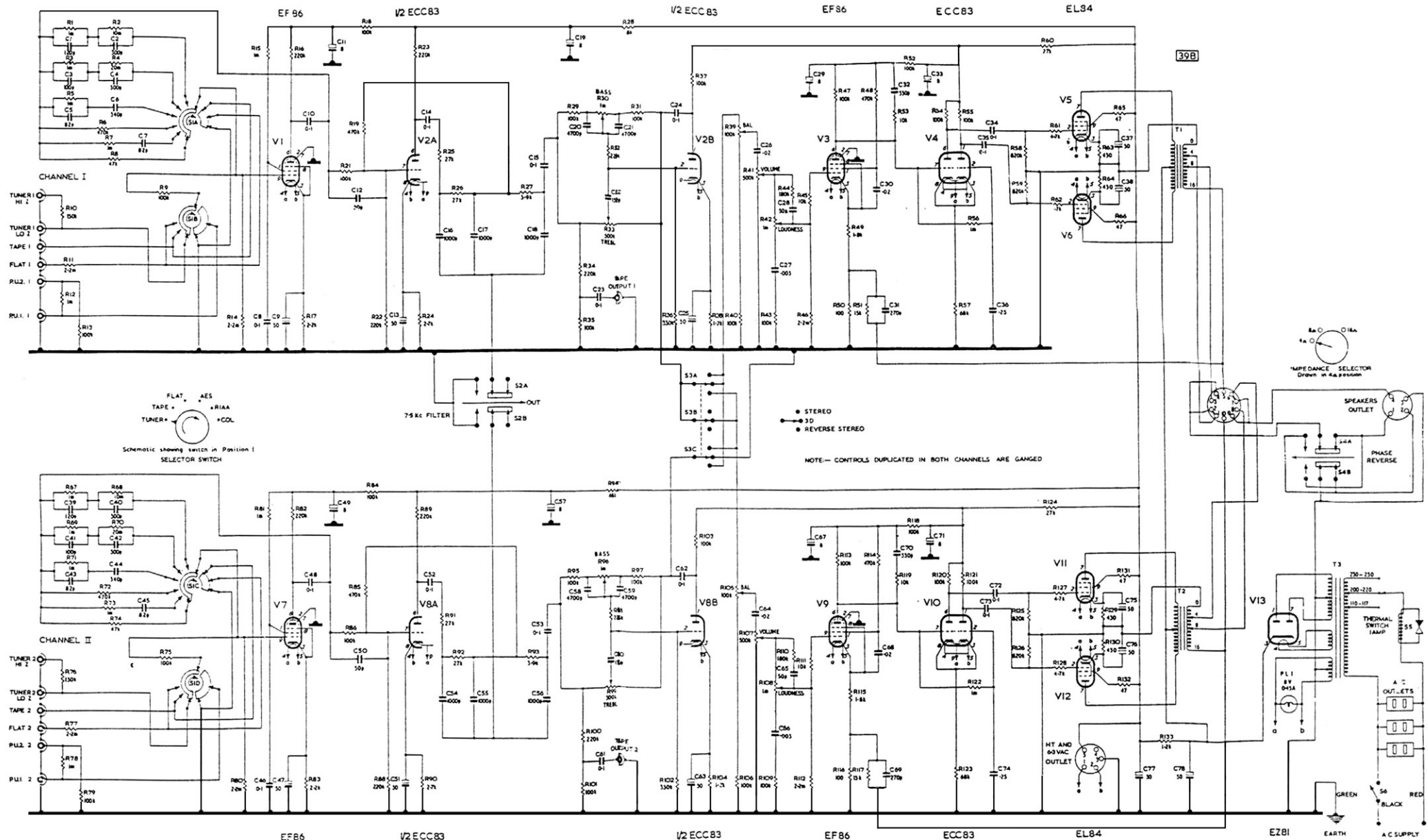
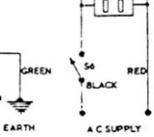
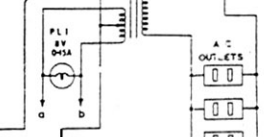
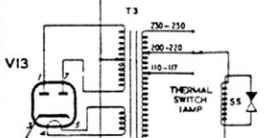
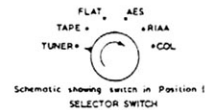


Avantic SPA21



39B



COMPONENTS LIST

The manufacturers reserve the right to vary specifications or use alternative materials as may be deemed necessary or desirable at any time.

RESISTORS

R1-R67	1M Ω , High Stability, $\frac{1}{2}$ W., 5%
R2-R68	10M Ω , High Stability, $\frac{1}{2}$ W., 5%
R3-R69	1M Ω , High Stability, $\frac{1}{2}$ W., 5%
R4-R70	20M Ω , High Stability, $\frac{1}{2}$ W., 5%
R5-R71	1M Ω , High Stability, $\frac{1}{2}$ W., 5%
R6-R72	470K Ω , High Stability, $\frac{1}{2}$ W., 5%
R7-R73	1M Ω , High Stability, $\frac{1}{2}$ W., 5%
R8-R74	47K Ω , High Stability, $\frac{1}{2}$ W., 5%
R9-R75	100K Ω , High Stability, $\frac{1}{2}$ W., 5%
R10-R76	150K Ω , $\frac{1}{2}$ W., 10%
R11-R77	2.2M Ω , $\frac{1}{2}$ W., 10%
R12-R78	1M Ω , $\frac{1}{2}$ W., 10%
R13-R79	100K Ω , $\frac{1}{2}$ W., 10%
R14-R80	2.2M Ω , $\frac{1}{2}$ W., 20%
R15-R81	1M Ω , High Stability, $\frac{1}{2}$ W., 10%
R16-R82	220K Ω , High Stability, $\frac{1}{2}$ W., 10%
R17-R83	2.2K Ω , High Stability, $\frac{1}{2}$ W., 10%
R18-R84	100K Ω , $\frac{1}{2}$ W., 10%
R19-R85	470K Ω , $\frac{1}{2}$ W., 5%
R20	No Component
R21-R86	100K Ω , $\frac{1}{2}$ W., 5%
R22-R88	220K Ω , $\frac{1}{2}$ W., 5%
R23-R89	220K Ω , $\frac{1}{2}$ W., 10%
R24-R90	2.7K Ω , $\frac{1}{2}$ W., 10%
R25-R91	27K Ω , $\frac{1}{2}$ W., 10%
R26-R92	27K Ω , $\frac{1}{2}$ W., 10%
R27-R93	3.9K Ω , $\frac{1}{2}$ W., 10%
R28-R94	68K Ω , $\frac{1}{2}$ W., 10%
R29-R95	100K Ω , $\frac{1}{2}$ W., 10%
R30-R96	1M Ω , Lin. Pot. Matched, 10%
R31-R97	100K Ω , $\frac{1}{2}$ W., 10%
R32-R98	220K Ω , $\frac{1}{2}$ W., 10%
R33-R99	500K Ω , Lin. Pot. Matched, 10%
R34-R100	220K Ω , $\frac{1}{2}$ W., 10%
R35-R101	100K Ω , $\frac{1}{2}$ W., 10%
R36-R102	330K Ω , $\frac{1}{2}$ W., 10%
R37-R103	100K Ω , $\frac{1}{2}$ W., 10%
R38-R104	1.2K Ω , $\frac{1}{2}$ W., 10%
R39-R105	100K Ω , Lin. Pot. Matched, 10%
R40-R106	100K Ω , $\frac{1}{2}$ W., 10%
R41-R107	500K Ω , Log. Pot. Matched, 10%
R42-R108	1M Ω , Log. Pot. Matched, 10%
R43-R109	100K Ω , $\frac{1}{2}$ W., 10%
R44-R110	180K Ω , $\frac{1}{2}$ W., 10%
R45-R111	10K Ω , $\frac{1}{2}$ W., 10%
R46-R112	2.2M Ω , $\frac{1}{2}$ W., 20%
R47-R113	100K Ω , High Stability, $\frac{1}{2}$ W., 5%
R48-R114	470K Ω , High Stability, $\frac{1}{2}$ W., 5%
R49-R115	1.8K Ω , High Stability, $\frac{1}{2}$ W., 5%
R50-R116	100 Ω , High Stability, $\frac{1}{2}$ W., 5%
R51-R117	15K Ω , High Stability, $\frac{1}{2}$ W., 5%
R52-R118	100K Ω , $\frac{1}{2}$ W., 10%
R53-R119	10K Ω , $\frac{1}{2}$ W., 10%
R54-R120	100K Ω , $\frac{1}{2}$ W., 5%
R55-R121	100K Ω , $\frac{1}{2}$ W., 5%
R56-R122	1M Ω , $\frac{1}{2}$ W., 10%
R57-R123	68K Ω , $\frac{1}{2}$ W., 10%
R58-R125	820K Ω , $\frac{1}{2}$ W., 20%
R59-R126	820K Ω , $\frac{1}{2}$ W., 20%
R60-R124	27K Ω , $\frac{1}{2}$ W., 10%
R61-R127	4.7K Ω , $\frac{1}{2}$ W., 20%

R62-R128	4.7K Ω , $\frac{1}{2}$ W., 20%
R63-R129	430 Ω , $\frac{1}{2}$ W., 10%
R64-R130	430 Ω , $\frac{1}{2}$ W., 10%
R65-R131	47 Ω , $\frac{1}{2}$ W., 20%
R66-R132	47 Ω , $\frac{1}{2}$ W., 20%
R133	1.2K, 10 W., Wire Wound

CAPACITORS

C1-C39	120pF, $\pm 5\%$, Polystyrene
C2-C40	300pF, $\pm 5\%$, Polystyrene
C3-C41	100pF, $\pm 5\%$, Polystyrene
C4-C42	300pF, $\pm 5\%$, Polystyrene
C5-C43	82pF, $\pm 5\%$, Polystyrene
C6-C44	340pF, $\pm 5\%$, Polystyrene
C7-C45	82pF, $\pm 5\%$, Polystyrene
C8-C46	0.1 μ F, 500 V., Paper
C9-C47	50 μ F, 12 V., Electrolytic
C10-C48	0.1 μ F, 500 V., Paper
C11-C49	8 μ F, 250 V., Electrolytic
C12-C50	50pF, $\pm 10\%$, Polystyrene
C13-C51	50 μ F, 12 V., Electrolytic
C14-C52	0.1 μ F, 500 V., Paper
C15-C53	0.1 μ F, 500 V., Paper
C16-C54	1,000pF, $\pm 10\%$, Polystyrene
C17-C55	1,000pF, $\pm 10\%$, Polystyrene
C18-C56	1,000pF, $\pm 10\%$, Polystyrene
C19-C57	8 μ F, 250 V., Electrolytic
C20-C58	4,700pF, $\pm 5\%$, Polystyrene
C21-C59	4,700pF, $\pm 5\%$, Polystyrene
C22-C60	150pF, $\pm 5\%$, Polystyrene
C23-C61	0.1 μ F, 500 V., Paper
C24-C62	0.1 μ F, 500 V., Paper
C25-C63	50 μ F, 12 V., Electrolytic
C26-C64	.02 μ F, 500 V., Paper
C27-C66	.003 μ F, 500 V., Paper
C28-C65	50pF, $\pm 10\%$, Polystyrene
C29-C67	8 μ F, 275 V., Electrolytic
C30-C68	.02 μ F, 500 V., Paper
C31-C69	270pF, $\pm 5\%$, Polystyrene
C32-C70	330pF, $\pm 5\%$, Polystyrene
C33-C71	8 μ F, 275 V., Electrolytic
C34-C72	0.1 μ F, 500 V., Paper
C35-C73	0.1 μ F, 500 V., Paper
C36-C74	0.25 μ F, 250 V., Paper
C37-C75	50 μ F, 25 V., Electrolytic
C38-C76	50 μ F, 25 V., Electrolytic
C77	50 μ F, 450 V., Electrolytic
C78	50 μ F, 450 V., Electrolytic

TRANSFORMERS

T1	Channel I, Push-pull Output
T2	Channel II, Push-pull Output
T3	Mains

SWITCHES

S1 ABCD	4-bank, 6-position, Rotary
S2 AB	2-pole, change-over, Slide
S3 ABC	3-pole, 3-way, Rotary
S4 AB	2-pole, change-over, Slide
S5	Thermal operated, 1 amp.
S6	On/Off (coupled with Loudness Control)