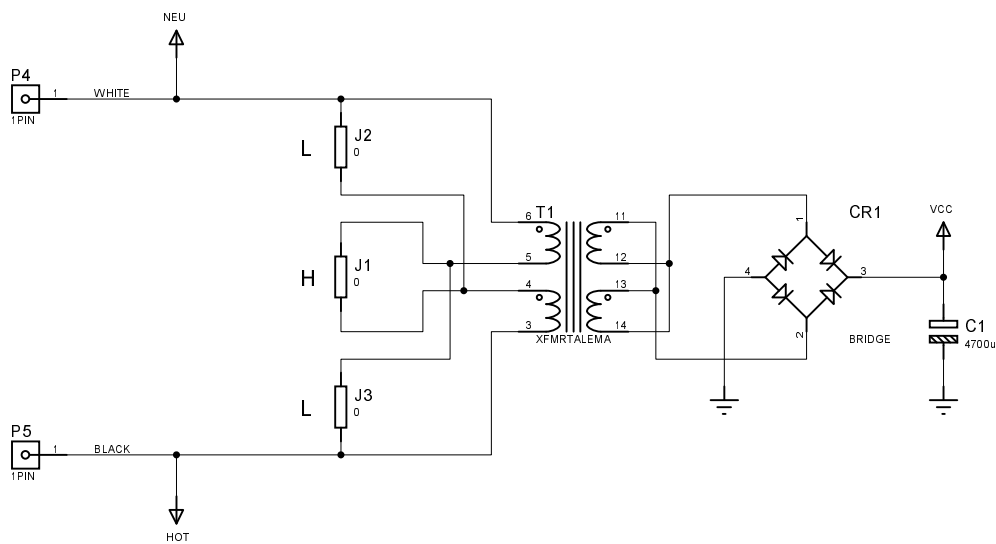
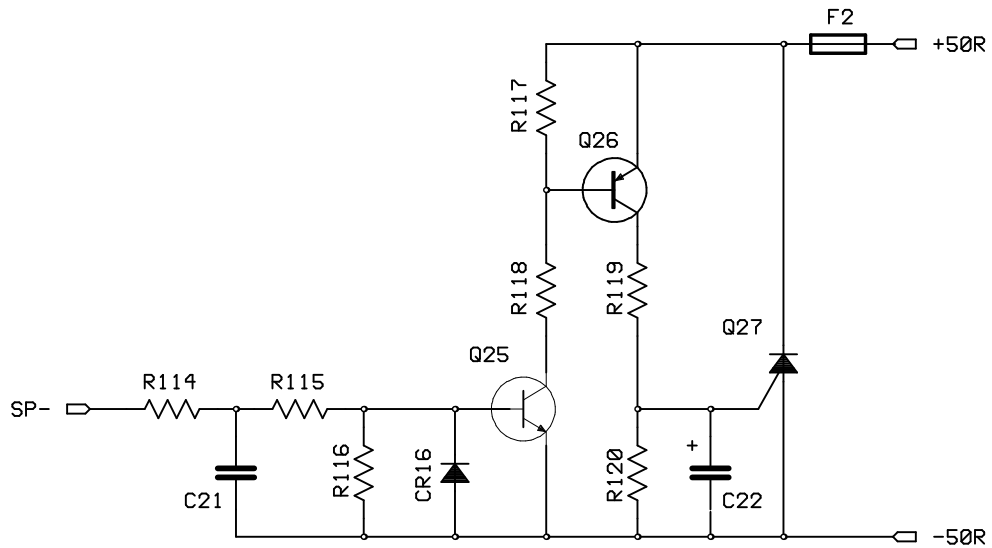
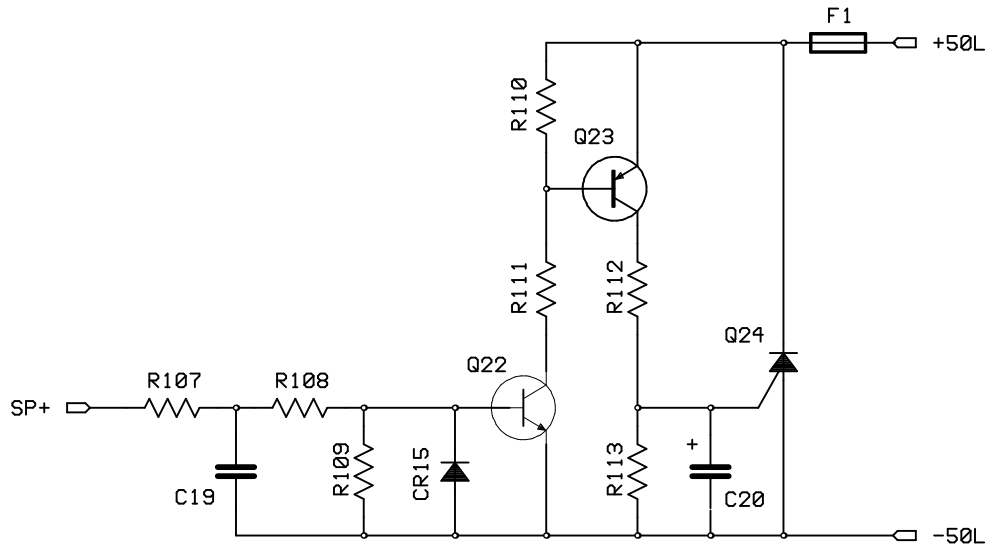


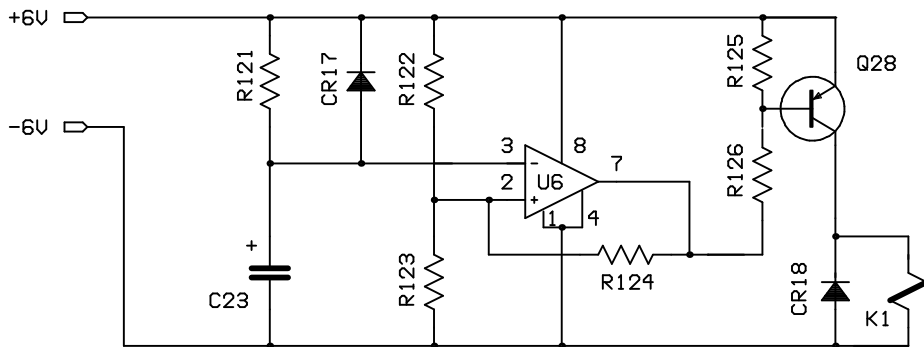
Balanced Audio Technology 00250-00030 - B	
VK-600i/250i	06/22/05 LAST CHANGE
Control & Indicators	04/12/00 CREATED
ENGINEER Dan Smisko	PAGE 1/2



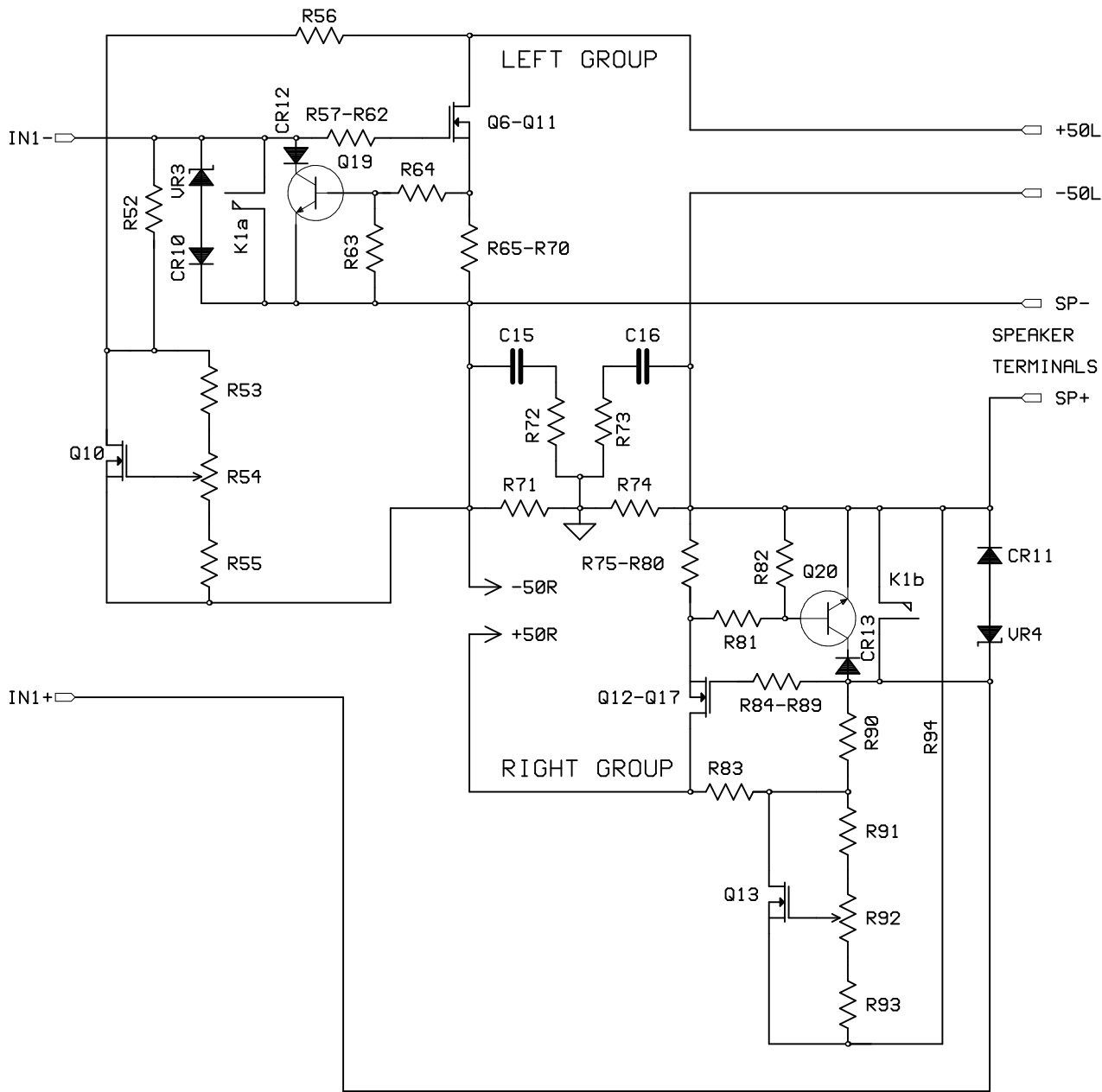
Balanced Audio Technology		00250-00030 - B
VK-600i/250i		06/22/05 LAST CHANGE
Power Supply		04/12/00 CREATED
ENGINEER	Dan Smisko	PAGE 2/2



Drawn by: V. KHOMENKO	Date: 11-12-96	UK-200/250 DC CLAMP	B.A.T. Incorporated.
Engineer: V. KHOMENKO			
Released To Prod.		Part Number: 00200-20010	Used: UK-200/250
Revised:		Scale: 1 : 1	Sheet 0f 5 6
			REV: B

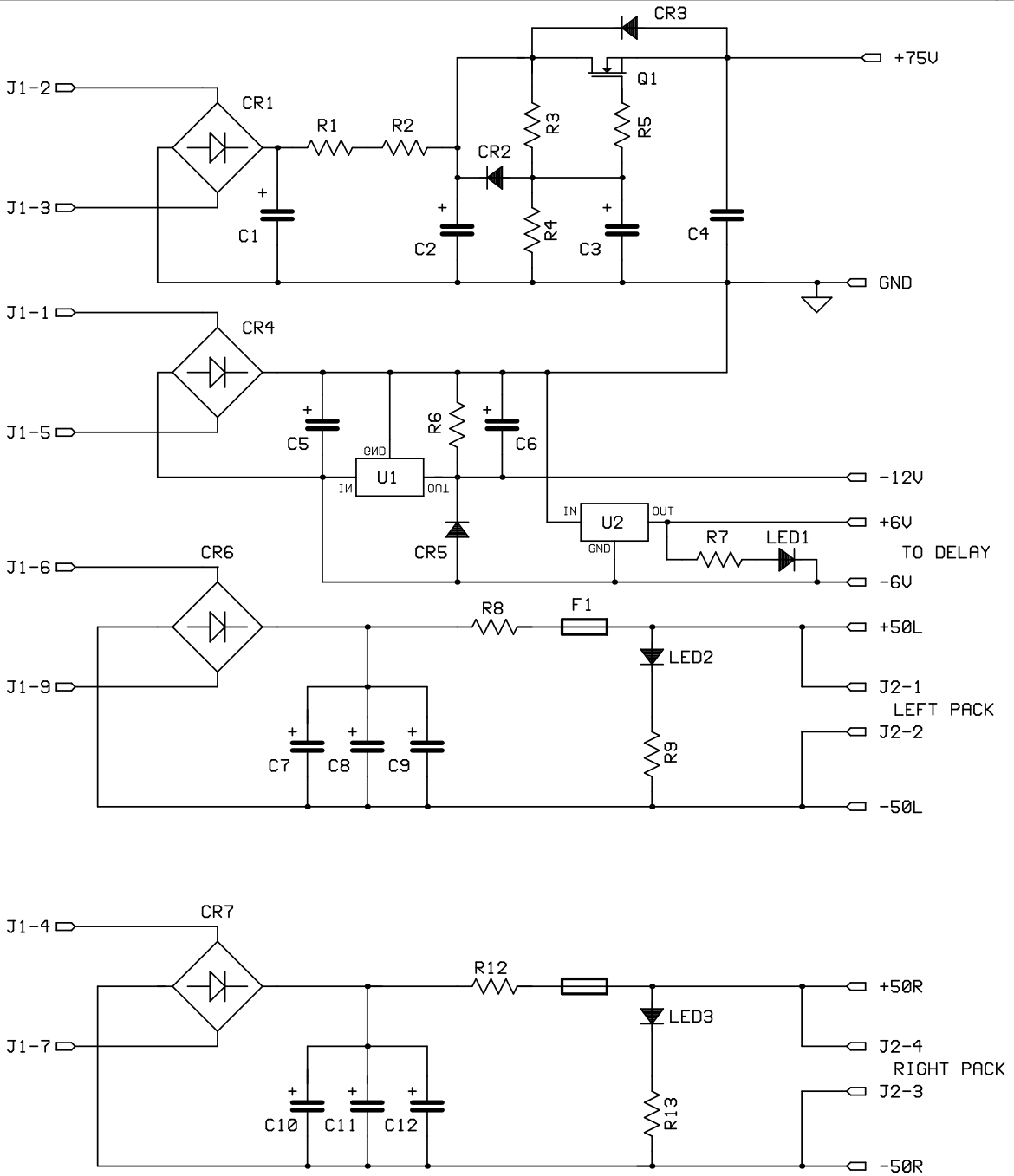


Drawn by: V. KHOMENKO	Date: 09-17-96	UK-200/250		B.A.T. Incorporated.
Engineer: V. KHOMENKO		POWER DELAY		
Released To Prod.		Part Number: 00200-20010		Used: UK-200/250
Revised:		Scale: 1:1	Sheet 6	Of 6
				REV: B



Drawn by: V. KHOMENKO	Date: 04-28-03	UK-250		B.A.T.
Engineer: V. KHOMENKO		OUTPUT STAGE		Incorporated.
Released To Prod.		Part Number: 00250-20010		Used: UK-250
Revised:		Scale: 1:1	Sheet 3	Of 6
				REV: A

OUT-250A.sch



Drawn by: V. KHOMENKO	Date: 03-28-03	VK-250 POWER SUPPLY		B.A.T. Incorporated.
Engineer: V. KHOMENKO				
Released To Prod.		Part Number: 00250-20010	Used: VK-250	
Revised:		Scale: 1:1	Sheet 1	Of 6
				REV: A

7-May-03	VK-250 Rev. C-2	
	00250-20010-B	Last Change:
		9/5/2003
Resistors		
R1, R2	10 Ohm 2W	
R3	4.02K	
R4	215K	
R5	2K	
R6, R7	1K 2W	
R8, R12	.1 Ohm 3W Wirewound	
	Install .1 Ohm 5W Wirewound in	
	Parallel on the other side.	
R9, R13	10K 2W	
R21, R23	100k	
R22, R24	237 Ohm	
R25, R27	Caddock MP-820-300 Ohm 1%	
R26	Do Not Load	
R28	10 Ohm	
R29	Trimpot 1k	
R30, R31	13 Ohm, 2W	
R32	4.02k	
R33	2K	
R48	5.1 Ohm 2W	
R35	Trimpot 10 Ohm	
R35, R36	10 Ohm	
R52	215k	
R53	Zero Ohm Jumper	
R54	Trimpot 25 Turn 500 Ohm	
R55	2k	
R56	7.5k 2W Install Two In Parallel	
	One is mounted under the board.	
R57 - R59, R62, R63	237 Ohm	
R64	1k	
R65 - R70	1 Ohm 3W Wirewound	
R71	1k 2W	
R72, R73	68 Ohm 2W	
R74	1k 2W	
R75 - R80	1 Ohm 3W Wirewound	
R81	1k	
R82	237 Ohm	
R83	7.5k 2W Install Two In Parallel	
	One is mounted under the board.	
R84 - R89	237 Ohm	
R90	215k	
R91	Zero Ohm Jumper	
R92	Trimpot 25 Turn 500 Ohm	
R93	2k	

R107, R108, R114, R115	100K	
R109, R116	4.99K	
R110, R111, R117, R118	10k	
R112, R113, R119, R120	1k	
R121	100k	
R122, R123	1k	
R124	21.5k	
R125	10k	
R126	1k	
Capacitors		
C1, C2, C3	Alum. 470uF 100V	
C4	WIMA 1uF 160V	
C5	Alum. 22,000uF 25V	
C6	Alum. 100uF 16V Radial	
C7 - C12	Alum. 10,000uF 80V. Do Not Load C9 and C11.	
C13, C14	Oil .22uF 630V	
C15, C16	Film .22uF 250V	
C19, C21	Film 2.7uF 100V	
C20, C22	Alum. 100uF 16V Radial	
C23	Alum. 100uF 10V	
Semiconductors		
CR1, CR4	Bridge DIP 1A 400V	
CR2, CR3	Rect. Diode 1A 1000V	
CR5	Diode Sw. Gen. Purp.	
CR6, CR7	Do Not Load	
CR10, CR11	10V 400mW Zeners	
CR12, CR13, CR15-CR18	Diode Sw. Gen. Purp.	
VR1- VR4	Zener 10V 400mW	
Q1, Q4	Power MOSFET IRF621. Install on Heat Sink.	
Q2, Q3	Do Not Load	
Q5	Trans. NPN 2N5088	
Q6 - Q17	Do Not Load	
Q19, Q20	Trans. NPN 2N5088	
Q22, Q25	Trans. NPN 2N5550	
Q23, Q26	Trans. PNP 2N5400	
Q24, Q27	SCR S4025L	
Q28	Trans. PNP 2N4403	
U1	Voltage Reg. Neg.12V 79M12. Install on Heat Sink.	
U2	Voltage Reg. Pos. 6V 7806	
U6	Comparator LM311	
LED2, LED3	Green LED	
Relay		
K1	Relay Signal 2C G5V-2-H-DC6	
Fuseholders		
F1, F2	Fuseholder PCB	

Connectors		
J1	9 Pos. PCB Socket Header; AMP	643426-1
J2	4 Pos. PCB Socket Header; AMP	643416-1
Heat Sinks		
Q1, Q4, U1	7020B-MT	
Parts List	00200-20010-B	Supplier
Resistors		
Zero Ohm Jumper		2 RHR
10 Ohm		3 RHR
237 Ohm		14 RHR
1k		9 RHR
2k		4 RHR
4.02k		2 RHR
4.99K		2 RHR
10k		5 RHR
21.5k		1 RHR
100k		7 RHR
215k		3 RHR

Power Rsistors		
5.1 Ohm 2W		1 RHR
10 Ohm 2W		2 RHR
13 Ohm 2W		2 RHR
68 Ohm 2W		2 RHR
1K 2W		4 RHR
7.5K 2W		4 RHR
10K 2W		2 RHR
.1 Ohm 3W Wirewound		2 RHR
1 Ohm 3W Wirewound		12 RHR
.1 Ohm 5W Wirewound		2 RHR
Caddock 300 Ohm		2 RHR
Trimpots		
Trimpot 10 Ohm		1 RHR
Trimpot 1K		1 RHR
Trim Pot 25 turn 500 Ohm		2 RHR
Mylar .22uF 250V		2 RHR
Mylar 2.7uF 100V		2 RHR
Alum. 470uF 100V		3 RHR
WIMA 1uF 160V		1 RHR
Alum. 22,000uF 25V		1 RHR
Alum. 100uF 16V Radial		3 RHR
Alum. 100uF 10V		1 RHR
Alum. 10,000uF 80V		4 RHR
Alum. 10,000uF 80V		2 BAT
Oil .22uF 600V		2 BAT
Semiconductors		
Bridge DIP 1A 400V		2 RHR
Rect. Diode 1A 1000V		2 RHR
Diode Sw. Gen. Purp.		7 RHR
Zener 10V 400mW		6 RHR
Power MOSFET IRF621		2 RHR
Trans. NPN 40V 200mA		
2N5088		3 RHR
Trans. NPN 2N5400		2 RHR
Trans. PNP 2N5550		2 RHR
Trans. PNP 40V 500mA		
2N4403		1 RHR
Voltage Reg. Neg. 12V 79		1 RHR
Voltage Reg. Pos. 6V 7806		1 RHR
Comparator 311		1 RHR
SCR S4025L		2 RHR
Green LED		2 RHR
Relays		
Relay Signal		1 RHR

Fuseholder PCB	2	RHR
Connectors		
9-pos. Socket Header	1	RHR
4-pos. Socket Header	1	RHR
Heat Sinks 7020B-MT	3	RHR
Screws M3x8mm	3	RHR
Nut M3	3	RHR