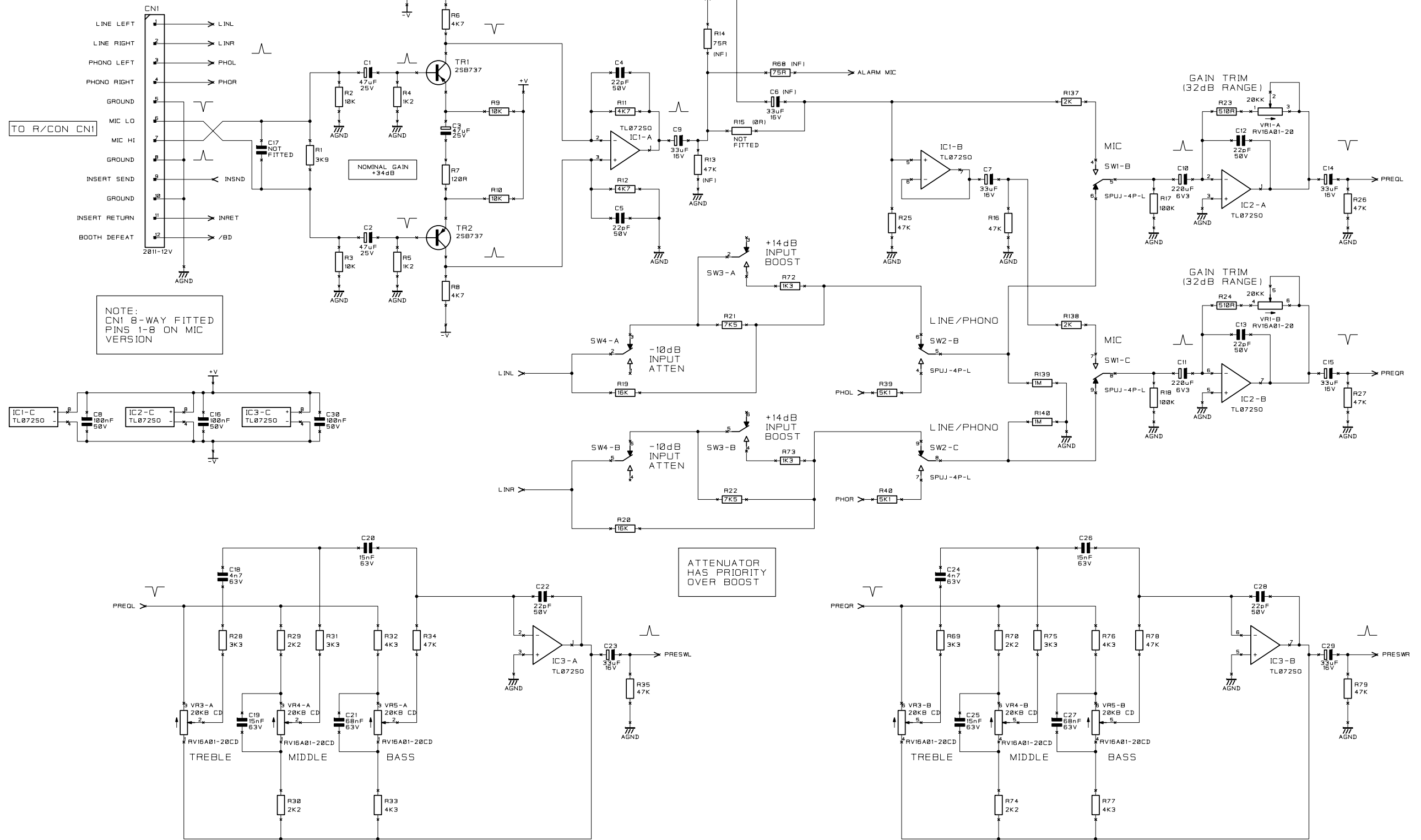


DRG NO.
E0279A-03A

INPUT & EQ



HARMAN INTERNATIONAL INDUSTRIES LTD. OWNS THE COPYRIGHT OF THIS DRAWING WHICH IS NOT TO BE COPIED, REPRODUCED OR DISCLOSED, IN PART OR WHOLE TO A THIRD PARTY WITHOUT PRIOR WRITTEN PERMISSION.

SOUNDCRAFT/BSS
HARMAN INT. INDUSTRIES LTD.
CRANBORNE HOUSE,
CRANBORNE ROAD,
POTTERS BAR,
HERTS. EN6 3JN.
TEL: 01707 665000
FAX: 01707 660482

NOTES: GAIN RANGES:
MIC +54/+22 dB
LINE (DEFAULT) +12/-20 dB
LINE (ATTENUATED) +2/-30 dB
LINE (BOOSTED) +26/-6 dB
PHONO +12/-20 dB

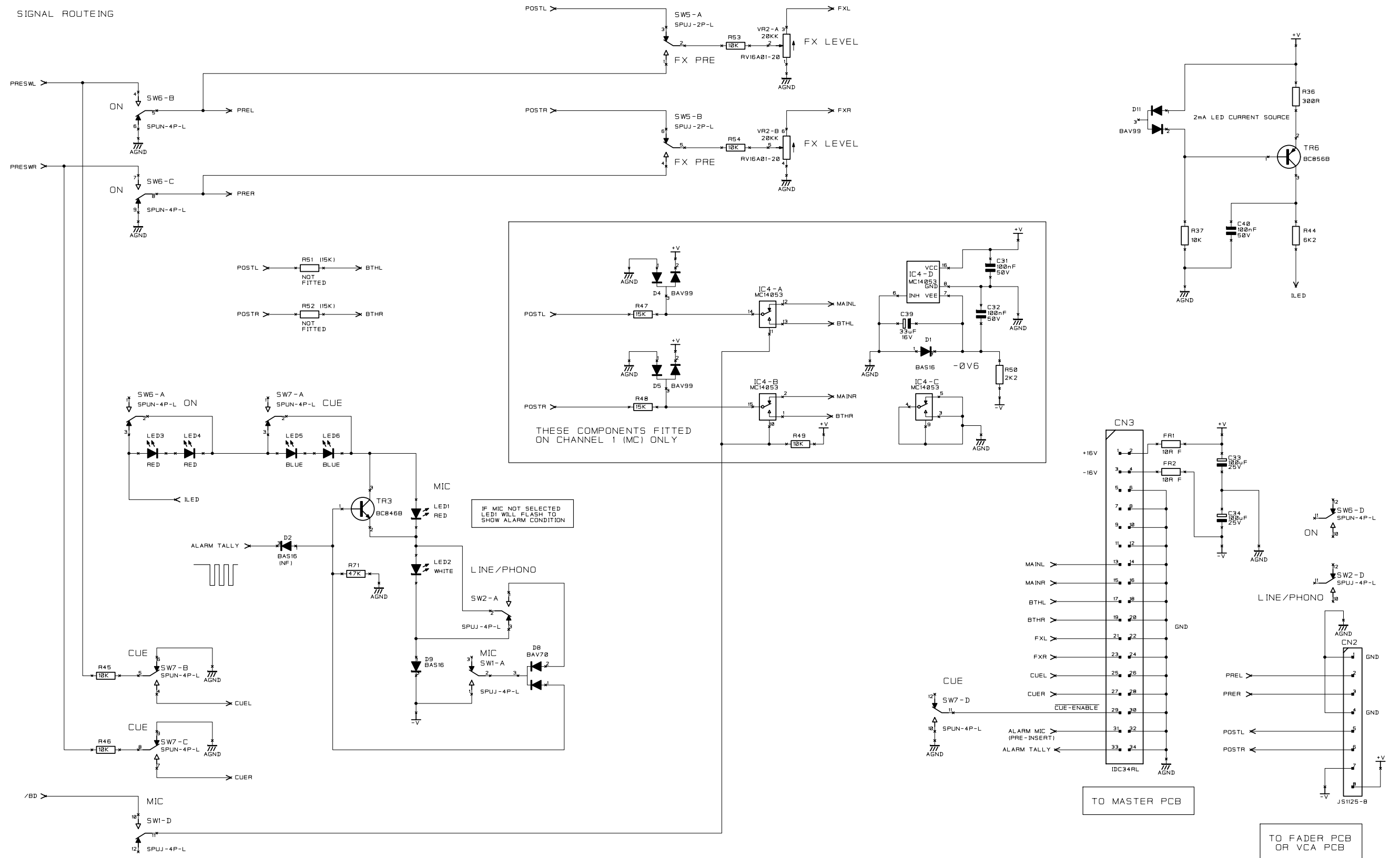
DRN. MSW
DATE 15-12-05
PROJECT CODE

CN No.	INITIAL	DATE	ISSUE
---	MSW	15-08-05	1A
Pre Prod	MSW	29-09-05	2A
Pre Prod	MSW	15-02-06	3A

TITLE
URE1 1603 / 1605
MC CHANNEL STRIP
INPUT & EQ
DRG NO. E0279A-03A SHT.1 OF 3

DRG NO.
E0279A-03A

SIGNAL ROUTING



HARMAN INTERNATIONAL INDUSTRIES LTD. OWNS THE COPYRIGHT OF THIS DRAWING WHICH IS NOT TO BE COPIED, REPRODUCED OR DISCLOSED, IN PART OR WHOLE TO A THIRD PARTY WITHOUT PRIOR WRITTEN PERMISSION.

SOUNDCRAFT/BSS
HARMAN INT. INDUSTRIES LTD.
CRANBORNE HOUSE,
CRANBORNE ROAD,
POTTERS BAR,
HERTS. EN6 3JN.
TEL: 01707 665000
FAX: 01707 660482

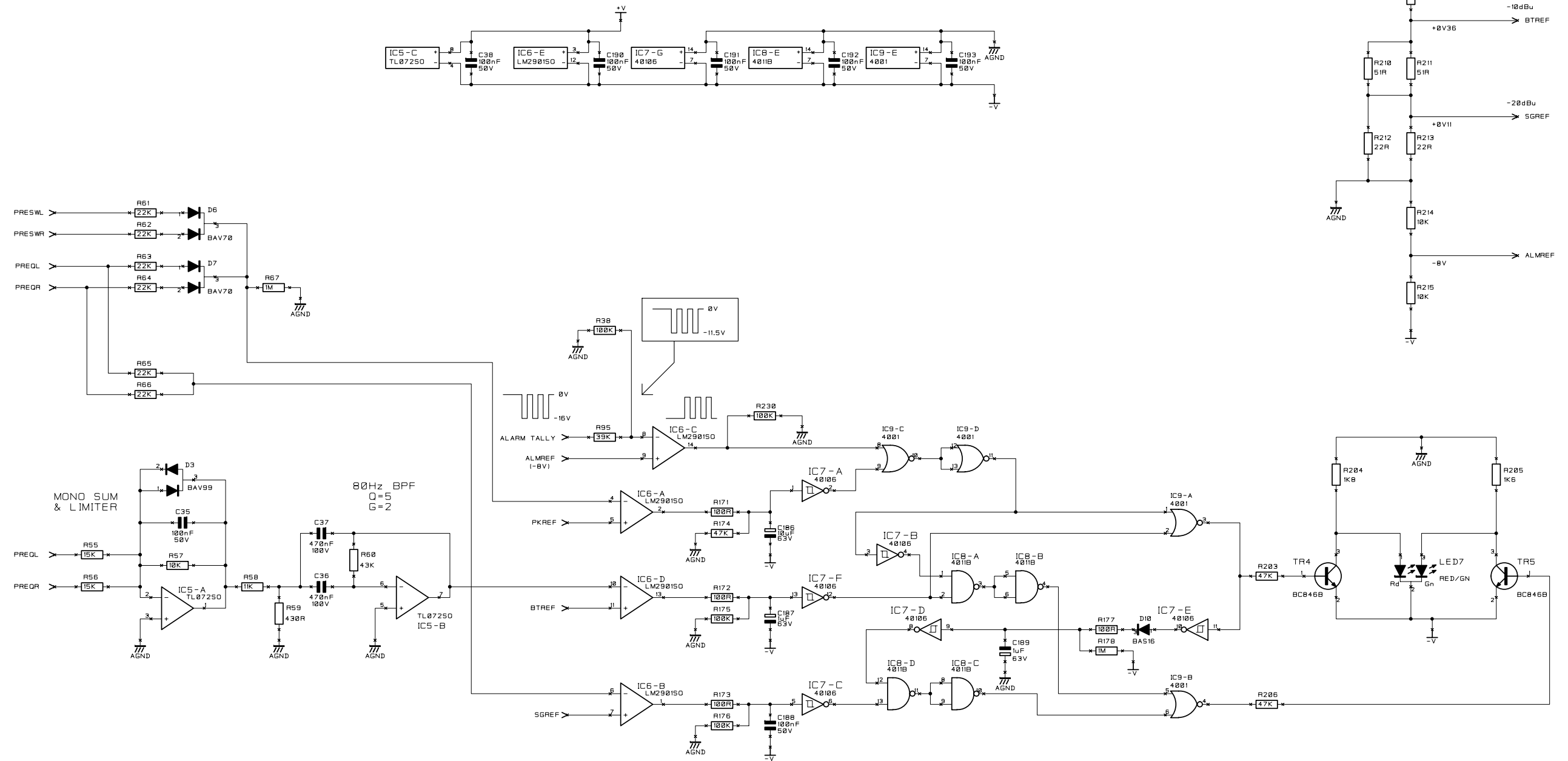
NOTES:

DRN.	MSW	CN No.	INITIAL	DATE	ISSUE	TITLE
DATE	15-12-05	----	MSW	15-08-05	1A	URE1 1603 / 1605 MC CHANNEL STRIP SIGNAL ROUTING
		Pre Prod	MSW	29-09-05	2A	
		Pre Prod	MSW	15-02-06	3A	
PROJECT CODE						

DRG NO. E0279A-03A SHT. 2 OF 3

DRG NO.
E0279A-03A

SBP CONTROL



HARMAN INTERNATIONAL INDUSTRIES LTD. OWNS THE COPYRIGHT OF THIS DRAWING WHICH IS NOT TO BE COPIED, REPRODUCED OR DISCLOSED, IN PART OR WHOLE TO A THIRD PARTY WITHOUT PRIOR WRITTEN PERMISSION.

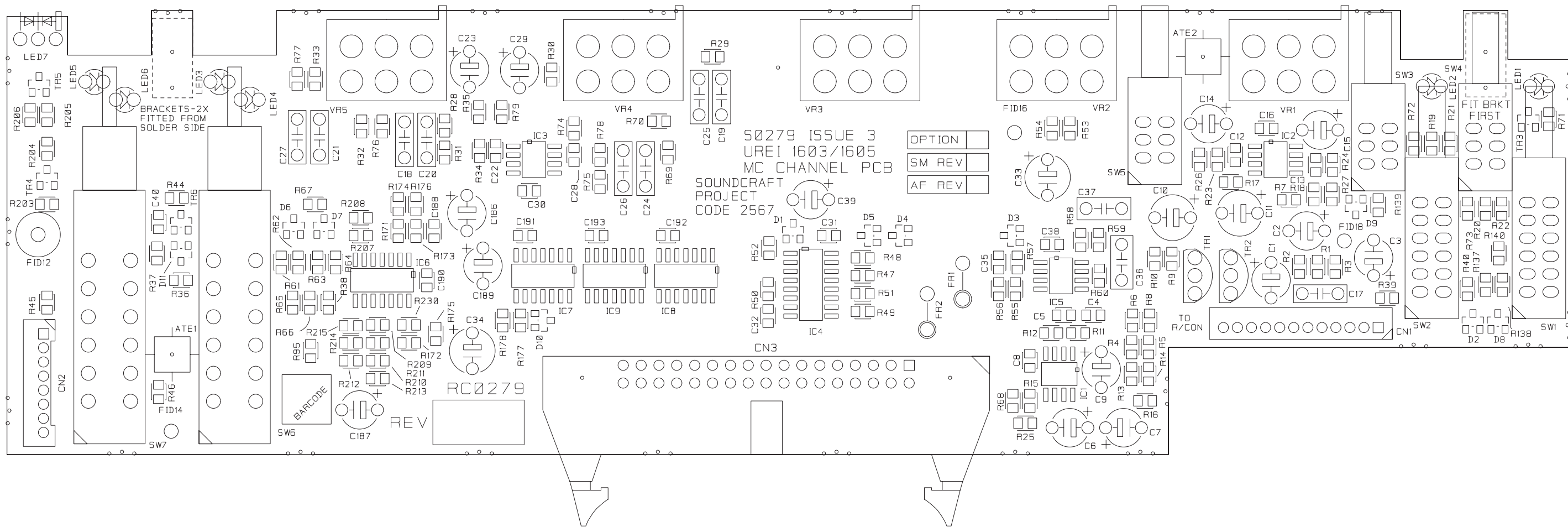
SOUNDCRAFT/BSS
HARMAN INT. INDUSTRIES LTD.
CRANBORNE HOUSE,
CRANBORNE ROAD,
POTTERS BAR,
HERTS. EN6 3JN.
TEL: 01707 665000
FAX: 01707 660482

NOTES:

DRN.	MSW
DATE	15-12-05
PROJECT CODE	

CN No.	INITIAL	DATE	ISSUE
----	MSW	15-08-05	1A
Pre Prod	MSW	29-09-05	2A
Pre Prod	MSW	15-02-06	3A

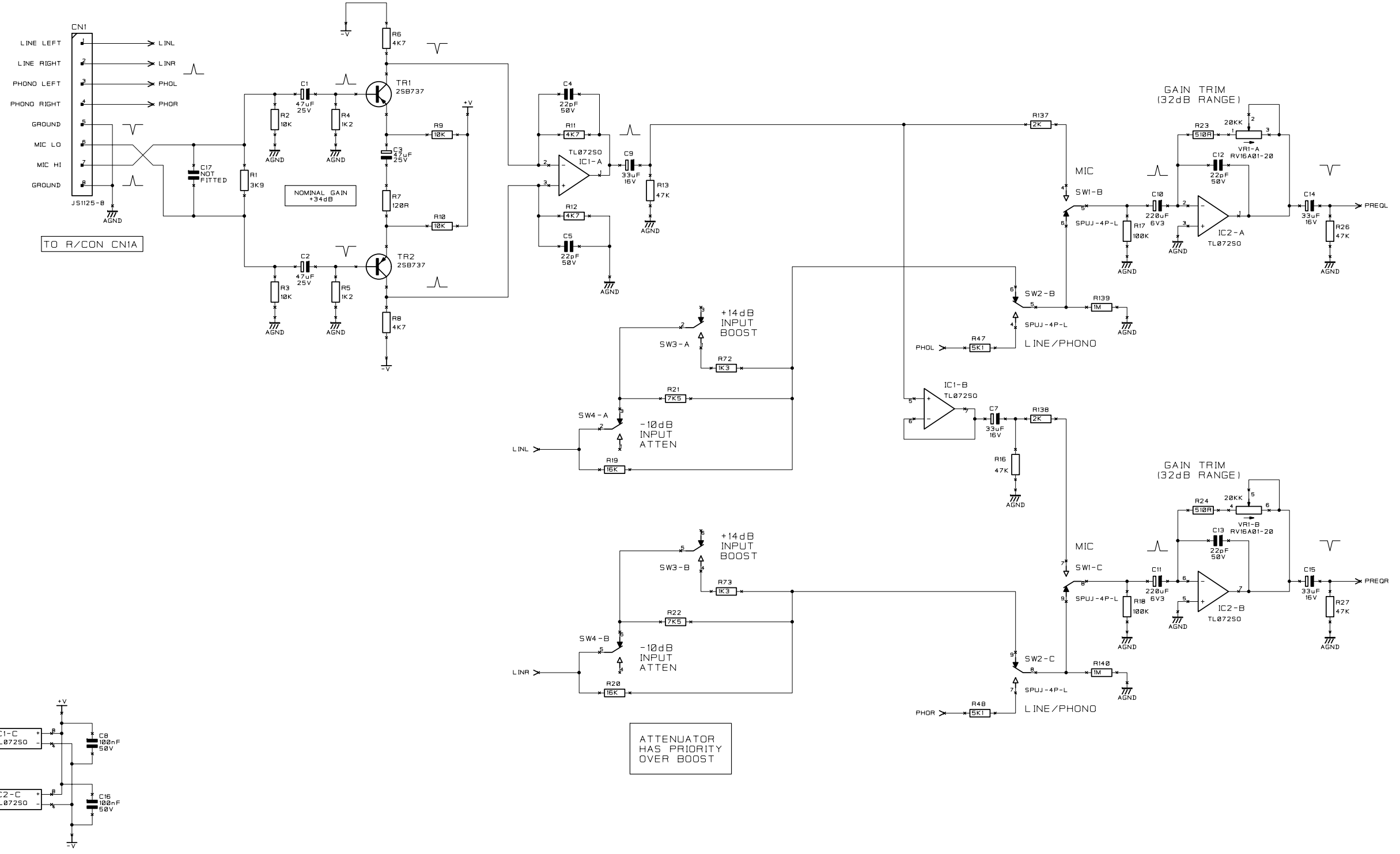
TITLE	URE1 1603 / 1605 MC CHANNEL STRIP SBP CONTROL
DRG NO.	E0279A-03A
SHT.	3 OF 3



UREI 1603/1605 MC CHANNEL PCB
S0279-03

DRG NO.
E0280A-03A

INPUT



HARMAN INTERNATIONAL INDUSTRIES LTD. OWNS THE COPYRIGHT OF THIS DRAWING WHICH IS NOT TO BE COPIED, REPRODUCED OR DISCLOSED, IN PART OR WHOLE TO A THIRD PARTY WITHOUT PRIOR WRITTEN PERMISSION.

SOUNDCRAFT/BSS
HARMAN INT. INDUSTRIES LTD.
CRANBORNE HOUSE,
CRANBORNE ROAD,
POTTERS BAR,
HERTS. EN6 3JN.
TEL: 01707 665000
FAX: 01707 660482

NOTES: GAIN RANGES:

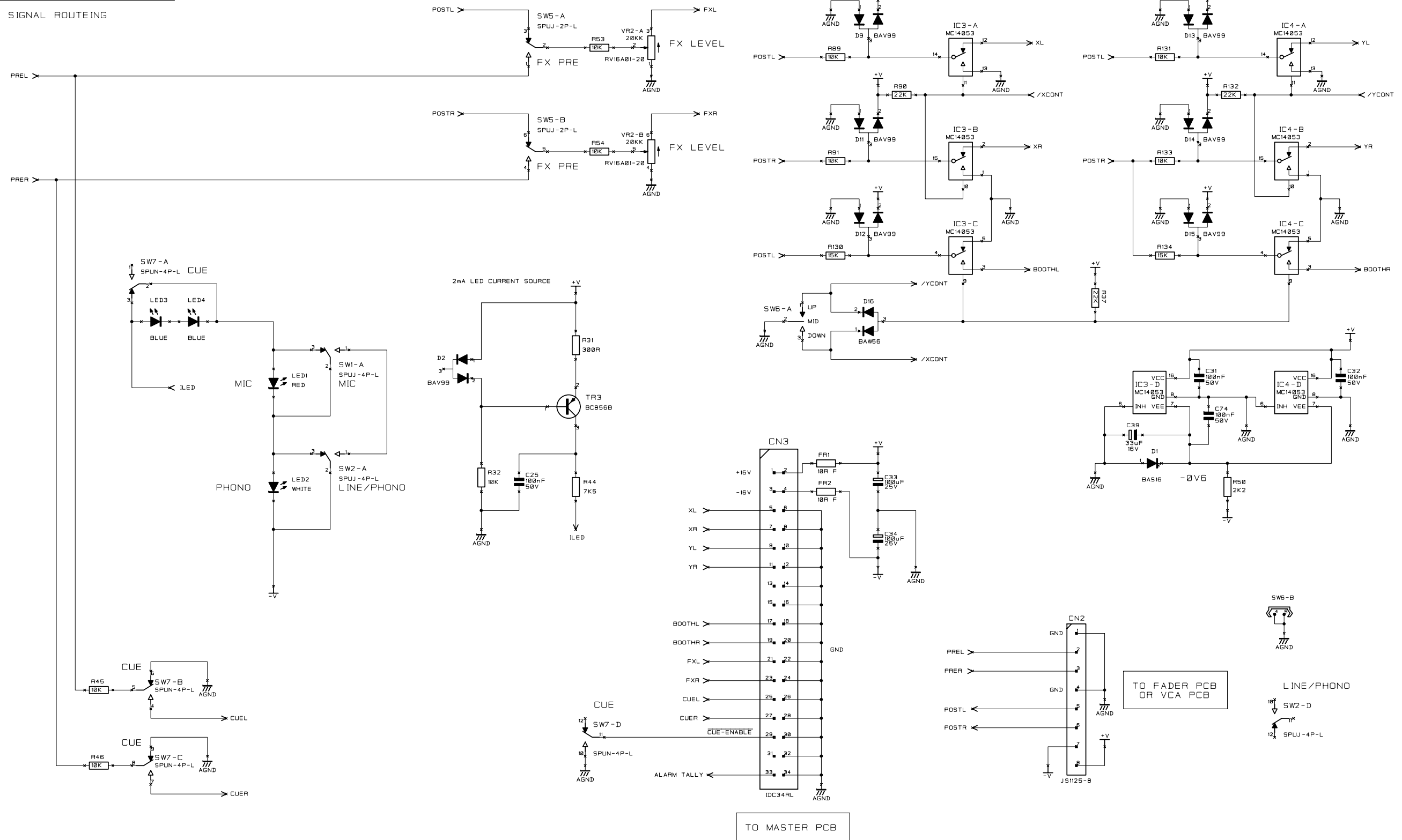
MIC	+54/+22 dB
LINE (DEFAULT)	+12/-20 dB
LINE (ATTENUATED)	+2/-30 dB
LINE (BOOSTED)	+26/-6 dB
PHONO	+12/-20 dB

DRN.	MSW	CN No.	INITIAL	DATE	ISSUE
DATE	15-12-05	---	MSW	11-08-05	01A
PROJECT CODE		---	MSW	06-10-05	02A
		---	MSW	11-01-06	03A

TITLE	URE1 1603 / 1605 DJ CHANNEL STRIP INPUT
DRG NO.	E0280A-03A
	SHT.1 OF 4

DRG NO.
E0280A-03A

SIGNAL ROUTEING



HARMAN INTERNATIONAL INDUSTRIES LTD. OWNS THE COPYRIGHT OF THIS DRAWING WHICH IS NOT TO BE COPIED, REPRODUCED OR DISCLOSED, IN PART OR WHOLE TO A THIRD PARTY WITHOUT PRIOR WRITTEN PERMISSION.

SOUNDCRAFT/BSS
HARMAN INT. INDUSTRIES LTD.
CRANBORNE HOUSE,
CRANBORNE ROAD,
POTTERS BAR,
HERTS. EN6 3JN.
TEL: 01707 665000
FAX: 01707 660482

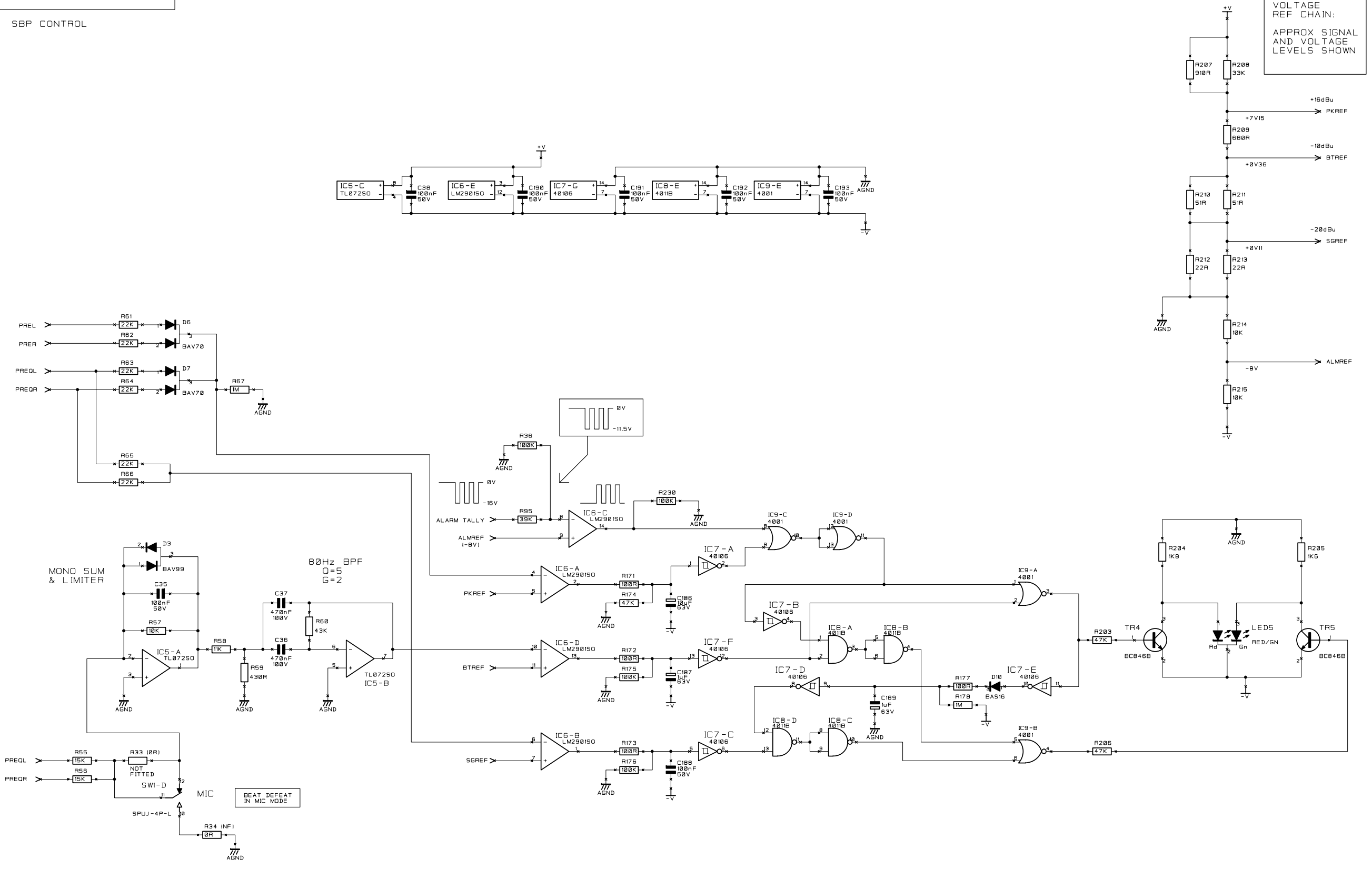
NOTES:

DRN.	MSW	CN No.	---	INITIAL	MSW	DATE	11-08-05	ISSUE	01A	TITLE URE1 1603 / 1605 DJ CHANNEL STRIP SIGNAL ROUTEING
DATE	15-12-05		---		MSW		06-10-05		02A	
PROJECT CODE			---		MSW		11-01-06		03A	

DRG NO. E0280A-03A SHT. 2 OF 4

DRG NO.
E0280A-03A

SBP CONTROL



HARMAN INTERNATIONAL INDUSTRIES LTD. OWNS THE COPYRIGHT OF THIS DRAWING WHICH IS NOT TO BE COPIED, REPRODUCED OR DISCLOSED, IN PART OR WHOLE TO A THIRD PARTY WITHOUT PRIOR WRITTEN PERMISSION.

SOUNDCRAFT/BSS
HARMAN INT. INDUSTRIES LTD.
CRANBORNE HOUSE,
CRANBORNE ROAD,
POTTERS BAR,
HERTS. EN6 3JN.
TEL: 01707 665000
FAX: 01707 660482

NOTES:

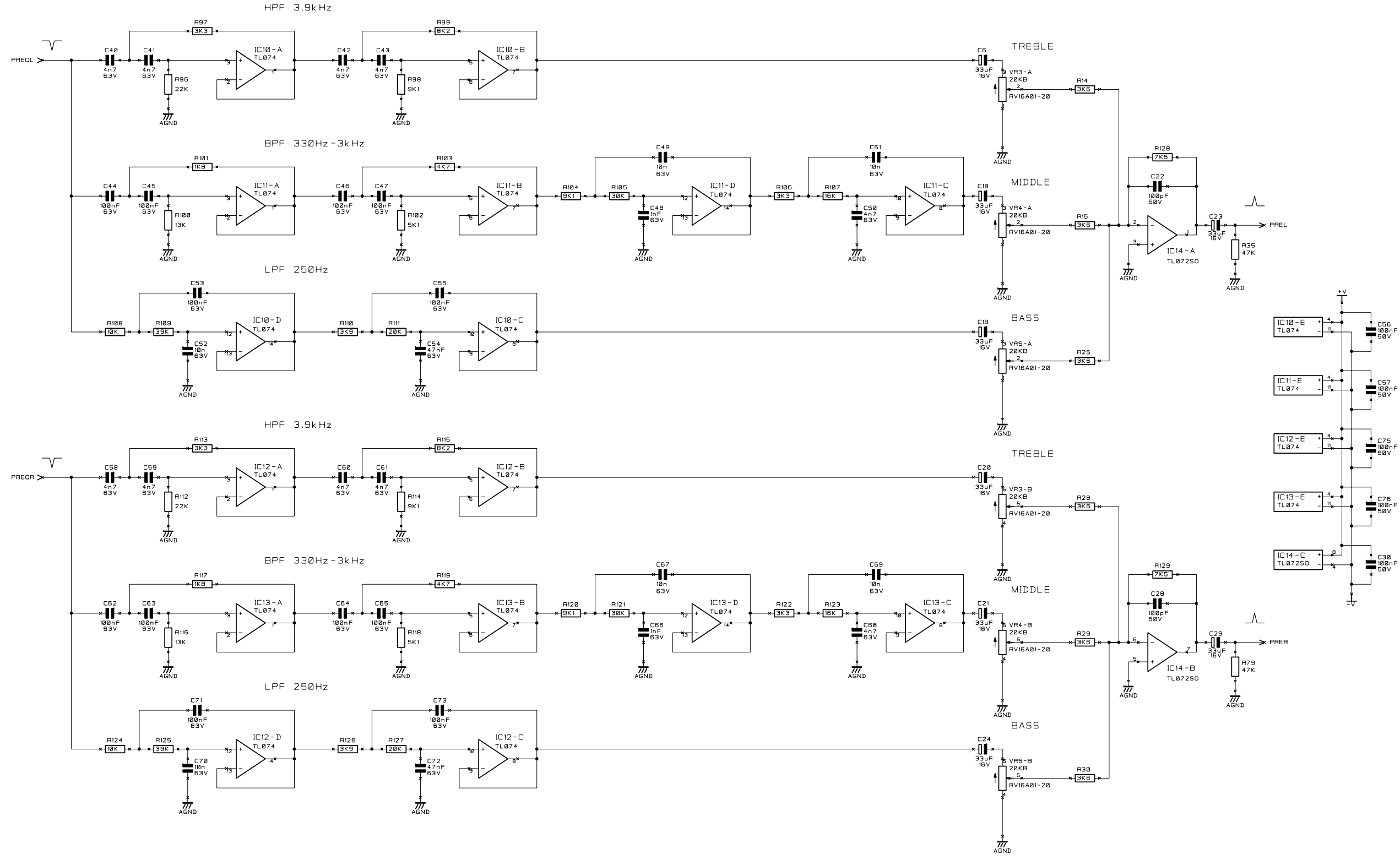
DRN.	MSW
DATE	15-12-05
PROJECT CODE	

CN No.	INITIAL	DATE	ISSUE
---	MSW	11-08-05	01A
---	MSW	06-10-05	02A
---	MSW	11-01-06	03A

TITLE	URE1 1603 / 1605 DJ CHANNEL STRIP SBP CONTROL
DRG NO.	E0280A-03A
	SHT.3 OF 4

DRG NO.
E0280A-03A

ISOLATOR EQ



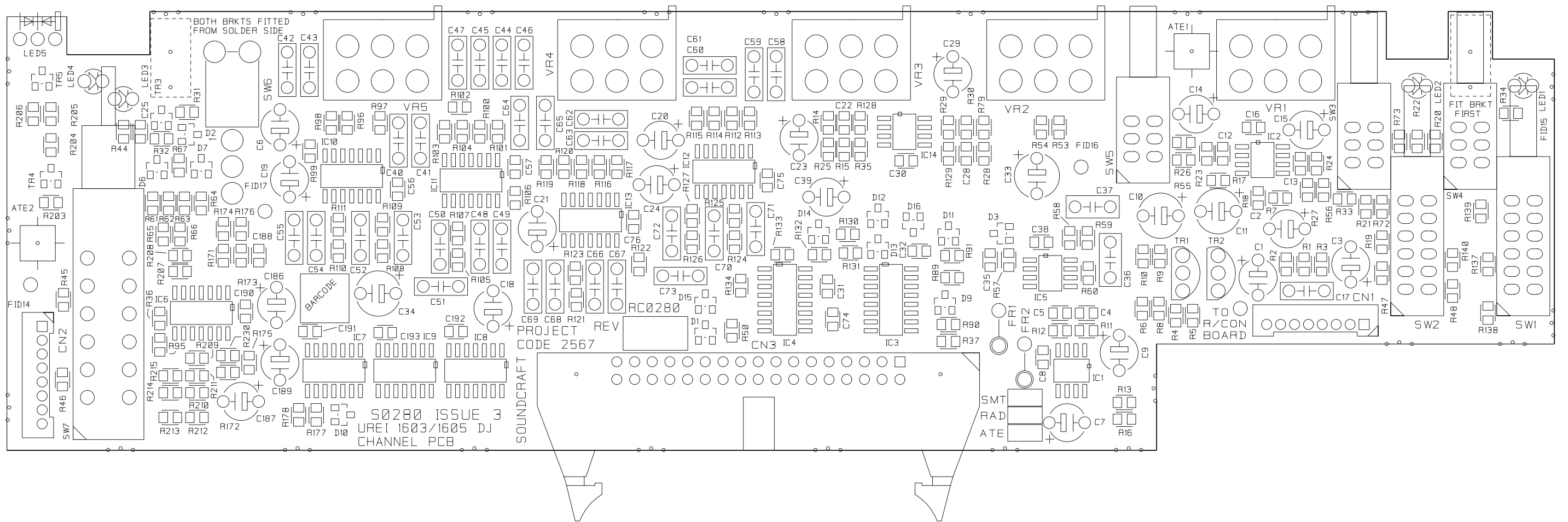
HARMAN INTERNATIONAL INDUSTRIES LTD. OWNS THE COPYRIGHT OF THIS DRAWING WHICH IS NOT TO BE COPIED, REPRODUCED OR DISCLOSED, IN PART OR WHOLE TO A THIRD PARTY WITHOUT PRIOR WRITTEN PERMISSION.

SOUNDCRAFT/BSS
HARMAN INT. INDUSTRIES LTD.
CRANBORNE HOUSE,
CRANBORNE ROAD,
POTTERS BAR,
HERTS. EN6 3JN.
TEL: 01707 665000
FAX: 01707 660482

NOTES:

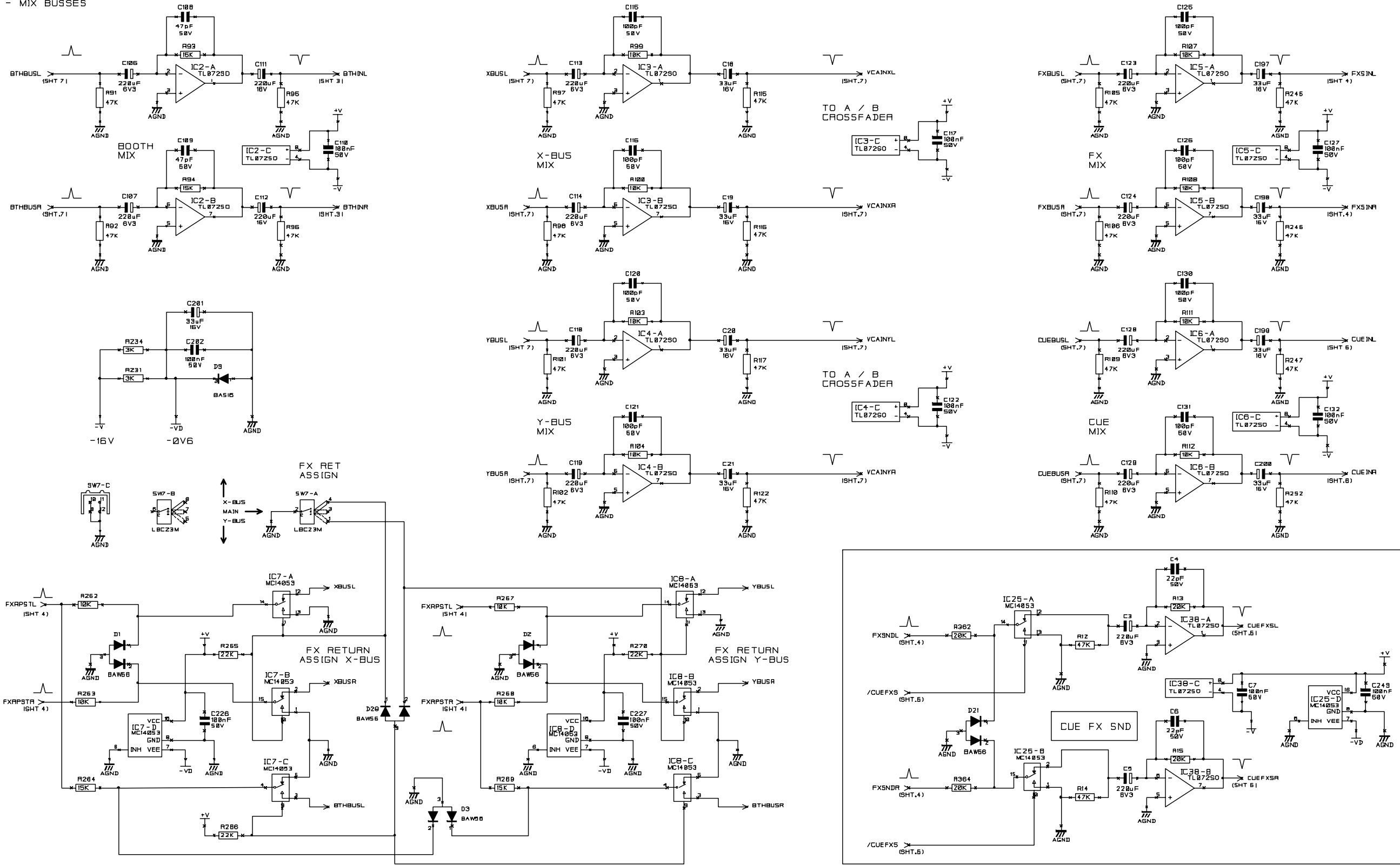
DRN.	MSW	CN No.	INITIAL	DATE	ISSUE	TITLE
		---	MSW	11-08-05	01A	URE1 1603 / 1605 DJ CHANNEL STRIP ISOLATOR EQ
DATE	15-12-05	---	MSW	06-10-05	02A	
PROJECT CODE		---	MSW	11-01-06	03A	

DRG NO. E0280A-03A SHT.4 OF 4



UREI 1603/1605 DJ CHANNEL PCB
S0280-03

1 - MIX BUSESSES



HARMAN INTERNATIONAL INDUSTRIES LTD. OWNS THE COPYRIGHT OF THIS DRAWING WHICH IS NOT TO BE COPIED, REPRODUCED OR DISCLOSED, IN PART OR WHOLE TO A THIRD PARTY WITHOUT PRIOR WRITTEN PERMISSION.

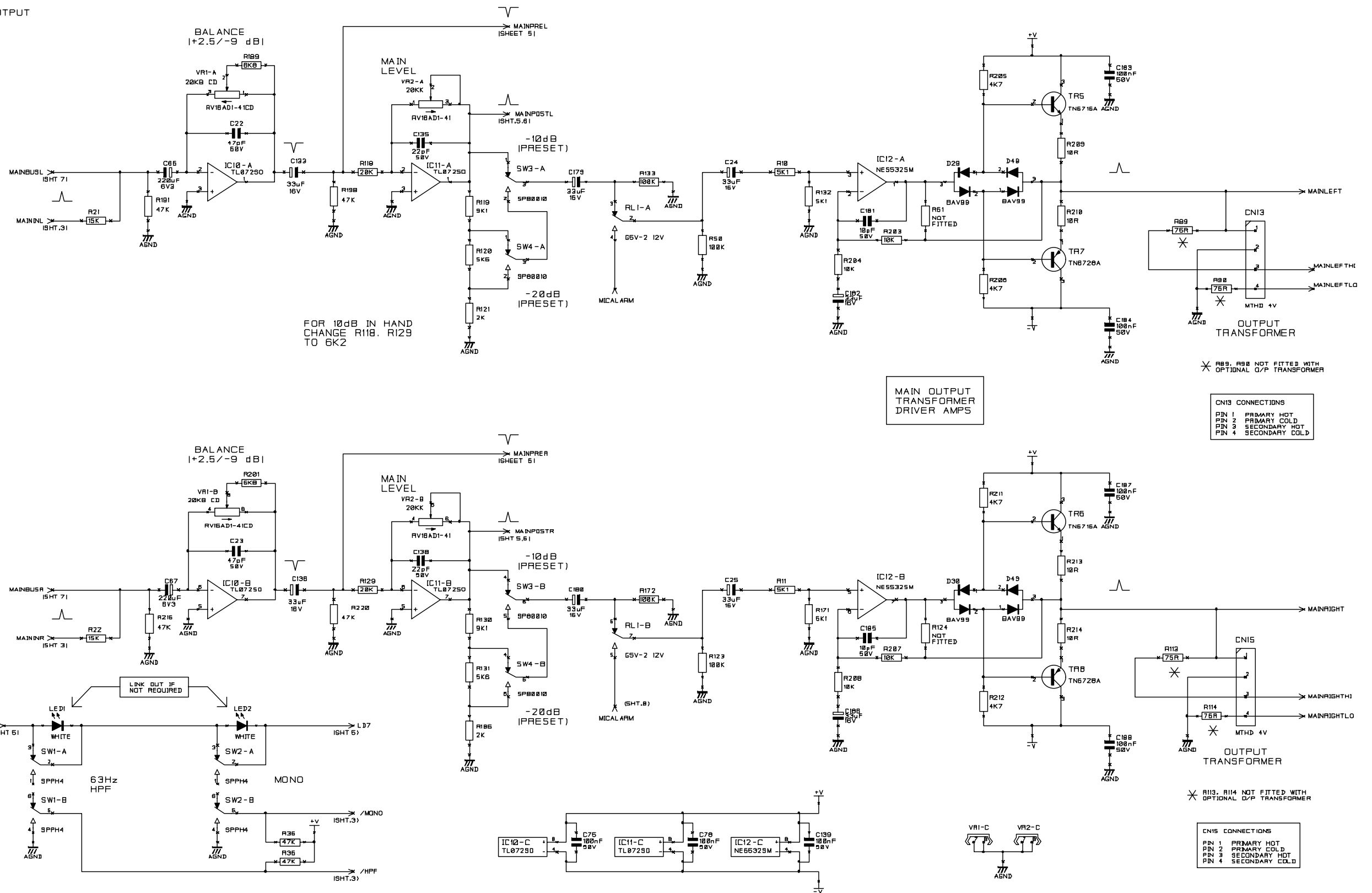
SOUNDCRAFT/BSS
 HARMAN INT INDUSTRIES LTD
 CRANBORNE HOUSE,
 CRANBORNE ROAD,
 POTTERS BAR,
 HERTS. EN6 3JN.
 TEL: 01707 665000
 FAX: 01707 660482

NOTES CROSSFADER ASSIGNS LABELLED
 A & B ON UNIT TOP PANEL
 A = X-BUS B = Y-BUS

DRN.	MSW	CN No.	INITIAL	DATE	ISSUE	TITLE	URE1 1603/1605 MASTER & MIX PCB
DATE	01-03-06	---	MSW	31-08-05	01A	MIX BUSESSES	
PROJECT CODE		---	MSW	02-11-05	02A		
		---	MSW	07-02-06	03A		
		---	MSW	02-03-06	04A		
		---	MSW	02-03-06	04B		
		ECNH699	PST	11-04-06	04B		

DRG NO E0283C-04C SHT 1 OF 8

2 - MAIN OUTPUT



HARMAN INTERNATIONAL INDUSTRIES LTD. OWNS THE COPYRIGHT OF THIS DRAWING WHICH IS NOT TO BE COPIED, REPRODUCED OR DISCLOSED, IN PART OR WHOLE TO A THIRD PARTY WITHOUT PRIOR WRITTEN PERMISSION.

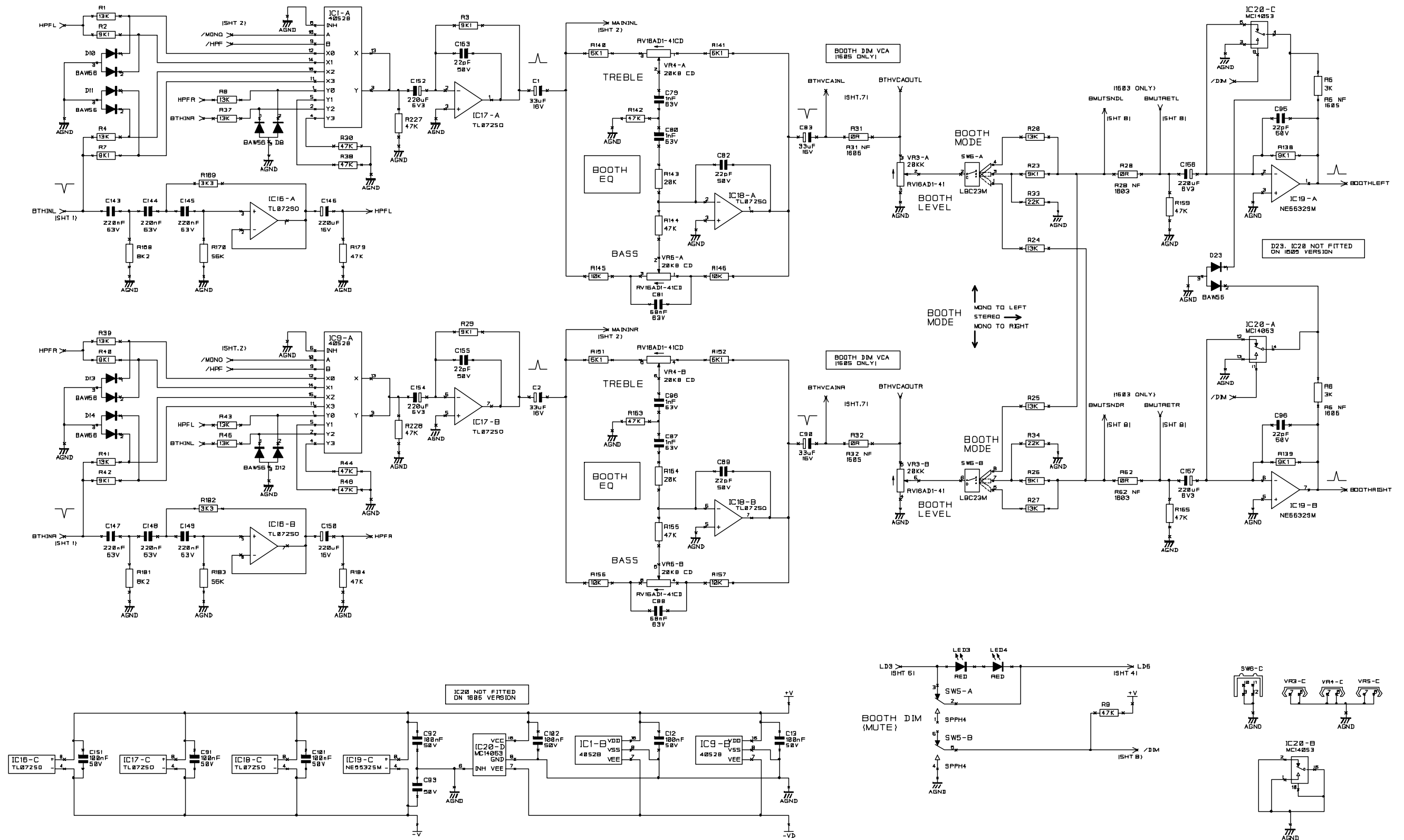
SOUNDCRAFT/BSS
HARMAN INT INDUSTRIES LTD
CRANBORNE HOUSE,
CRANBORNE ROAD,
POTTERS BAR,
HERTS. EN6 3JN.
TEL: 01707 665000
FAX: 01707 660482

NOTES

DRN.	MSW	CN No.	INITIAL	DATE	ISSUE	TITLE URE1 1603/1605 MASTER & MIX PCB MAIN
DATE	01-03-06	----	MSW	31-08-05	01A	
PROJECT CODE	ECNH699	----	MSW	02-11-05	02A	
		----	MSW	07-02-06	03A	
		----	MSW	02-03-06	04A	
----	PST	11-04-06	04B	04B		

DRG NO	E0283C-04C	SHT 2 OF 8
--------	------------	------------

3 - BOOTH OUTPUT



HARMAN INTERNATIONAL INDUSTRIES LTD OWNS THE COPYRIGHT OF THIS DRAWING WHICH IS NOT TO BE COPIED, REPRODUCED OR DISCLOSED, IN PART OR WHOLE TO A THIRD PARTY WITHOUT PRIOR WRITTEN PERMISSION.

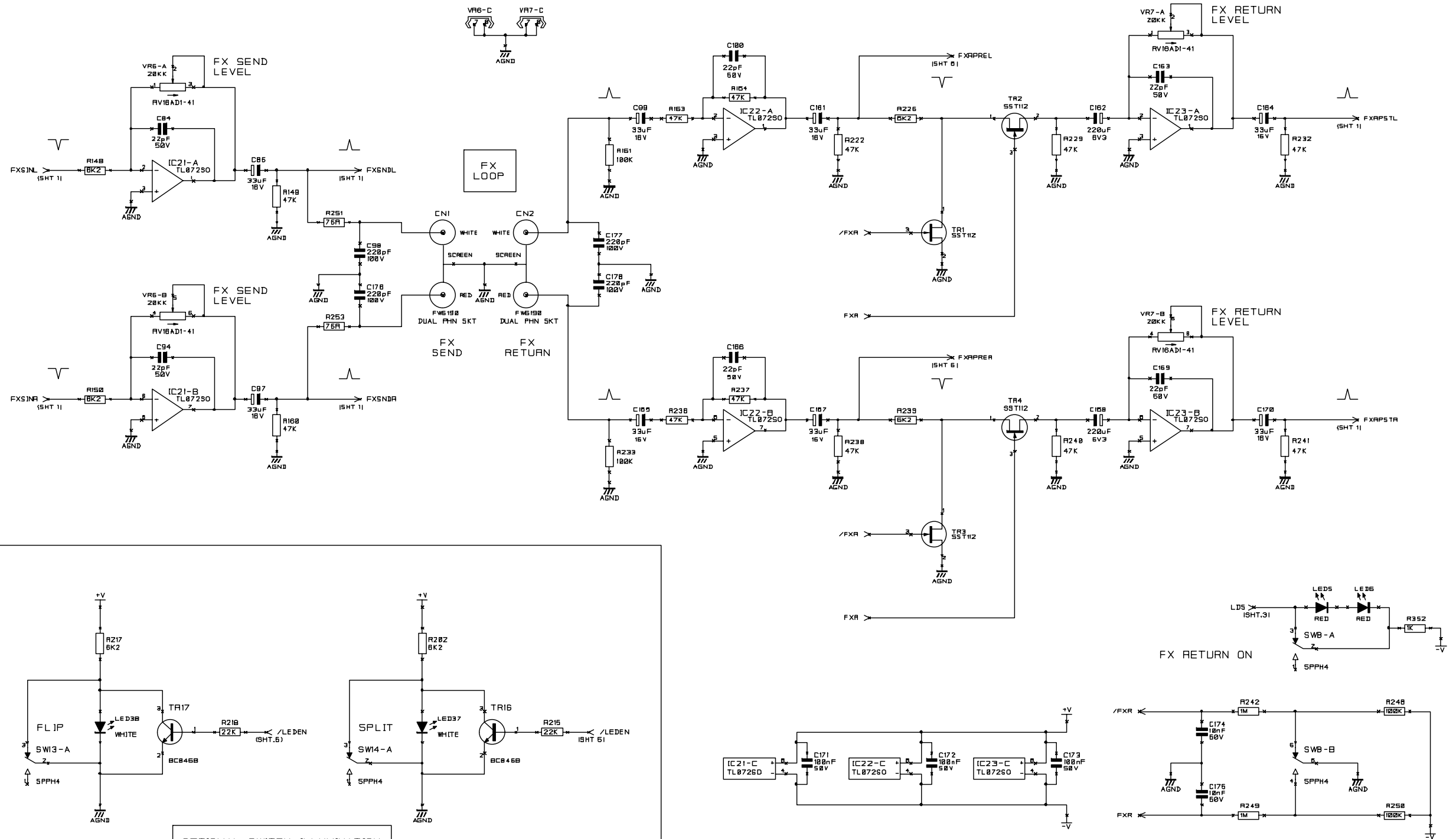
SOUNDCRAFT/BSS
HARMAN INT INDUSTRIES LTD.
CRANBORNE HOUSE,
CRANBORNE ROAD,
POTTERS BAR,
HERTS. EN6 3JN.
TEL: 01707 665000
FAX: 01707 660482

NOTES
IC20 NOT FITTED ON 1605 VERSION

DRN.	MSW	CN No.	INITIAL	DATE	ISSUE	TITLE	URE1 1603/1605 MASTER & MIX PCB
DATE	01-03-06	---	MSW	31-08-05	01A	BOOTH	DRG NO. E0283C-04C SHT.3 OF 8
PROJECT CODE	ECNH699	---	MSW	02-11-05	02A		
		---	MSW	07-02-06	03A		
		---	MSW	02-03-06	04A		
		---	MSW	02-03-06	04B		
		---	MSW	02-03-06	04B		
		---	PST	11-04-06	04B		

DRG NO
E0283C-04C

4 - FX LOOP



OPTIONAL SWITCH ILLUMINATION
REFER TO SHT.6 (HEADPHONES)
DELETE R202, R215, R217, R218
LED37, LED38, TR16, TR17
IF NOT REQUIRED

HARMAN INTERNATIONAL INDUSTRIES LTD. OWNS THE COPYRIGHT OF THIS DRAWING WHICH IS NOT TO BE COPIED, REPRODUCED OR DISCLOSED, IN PART OR WHOLE TO A THIRD PARTY WITHOUT PRIOR WRITTEN PERMISSION.

SOUNDCRAFT/BSS
HARMAN INT INDUSTRIES LTD
CRANBORNE HOUSE,
CRANBORNE ROAD,
POTTERS BAR,
HERTS. EN6 3JN.
TEL: 01707 665000
FAX: 01707 660482

NOTES

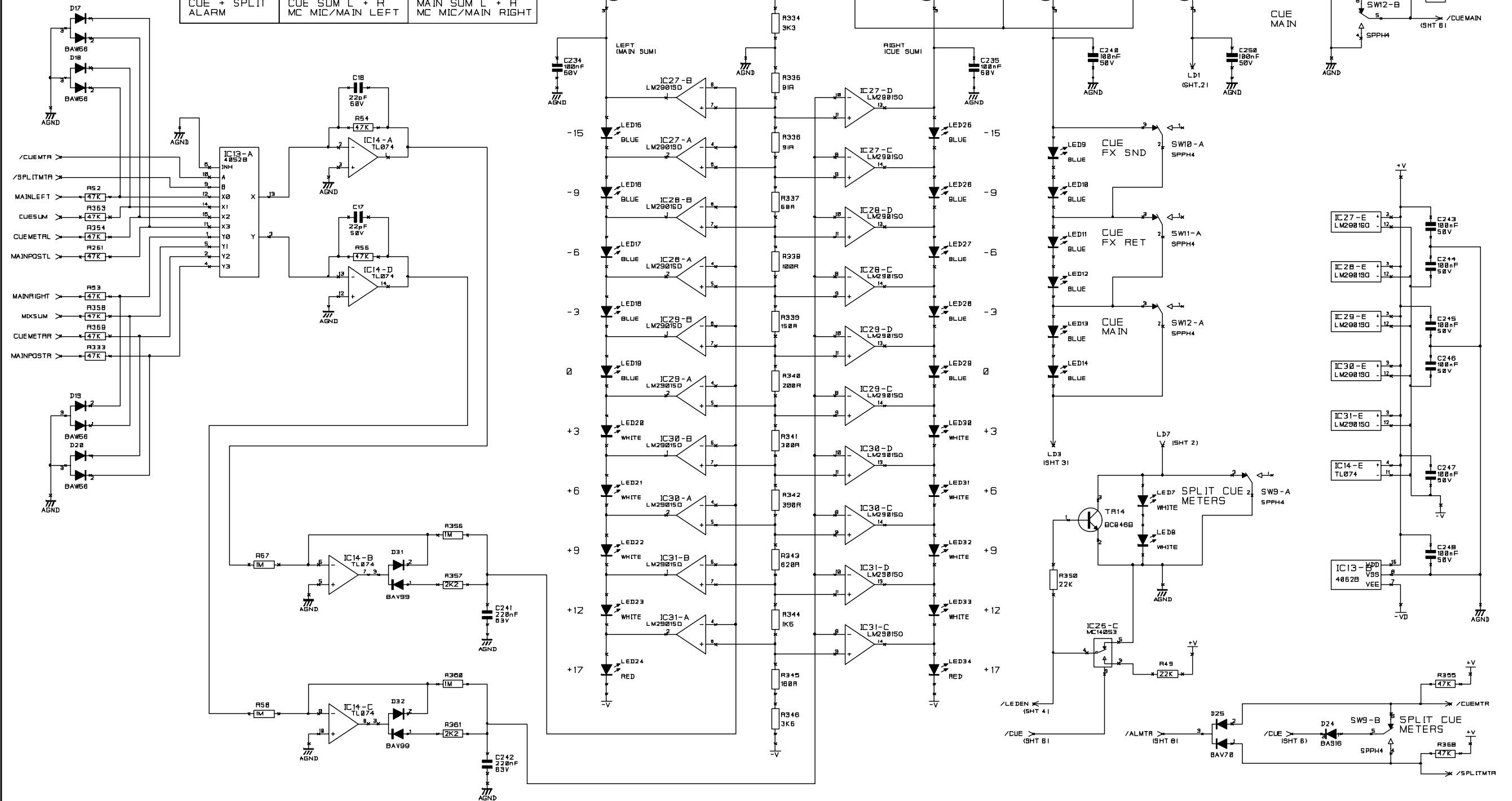
DRN.	MSW	CN No.	INITIAL	DATE	ISSUE
DATE	01-03-06	----	MSW	31-08-05	01A
PROJECT CODE		----	MSW	02-11-05	02A
		----	MSW	07-02-06	03A
		----	MSW	02-03-06	04A
		----	MSW	02-03-06	04B
		ECNH699	PST	11-04-06	04B

TITLE	URE1 1603/1605 MASTER & MIX PCB
	FX LOOP
DRG NO	E0283C-04C
	SHT 4 OF 6

DRG NO
E0283C-04C

5 - METERS

METERING MODES		
MODE -	LEFT	RIGHT
DEFAULT	MAIN MIX LEFT	MAIN MIX RIGHT
CUE	CUE MIX LEFT	CUE MIX RIGHT
CUE + SPLIT	CUE SUM L + R	MAIN SUM L + R
ALARM	MC MIC/MAIN LEFT	MC MIC/MAIN RIGHT



HARMAN INTERNATIONAL INDUSTRIES LTD. OWNS THE COPYRIGHT OF THIS DRAWING WHICH IS NOT TO BE COPIED, REPRODUCED OR DISCLOSED, IN PART OR WHOLE TO A THIRD PARTY WITHOUT PRIOR WRITTEN PERMISSION.

SOUNDCRAFT/BSS
HARMAN INT INDUSTRIES LTD
CRANBORNE HOUSE,
CRANBORNE ROAD,
POTTERS BAR,
HERTS. EN6 3JN.
TEL: 01707 665000
FAX: 01707 660482

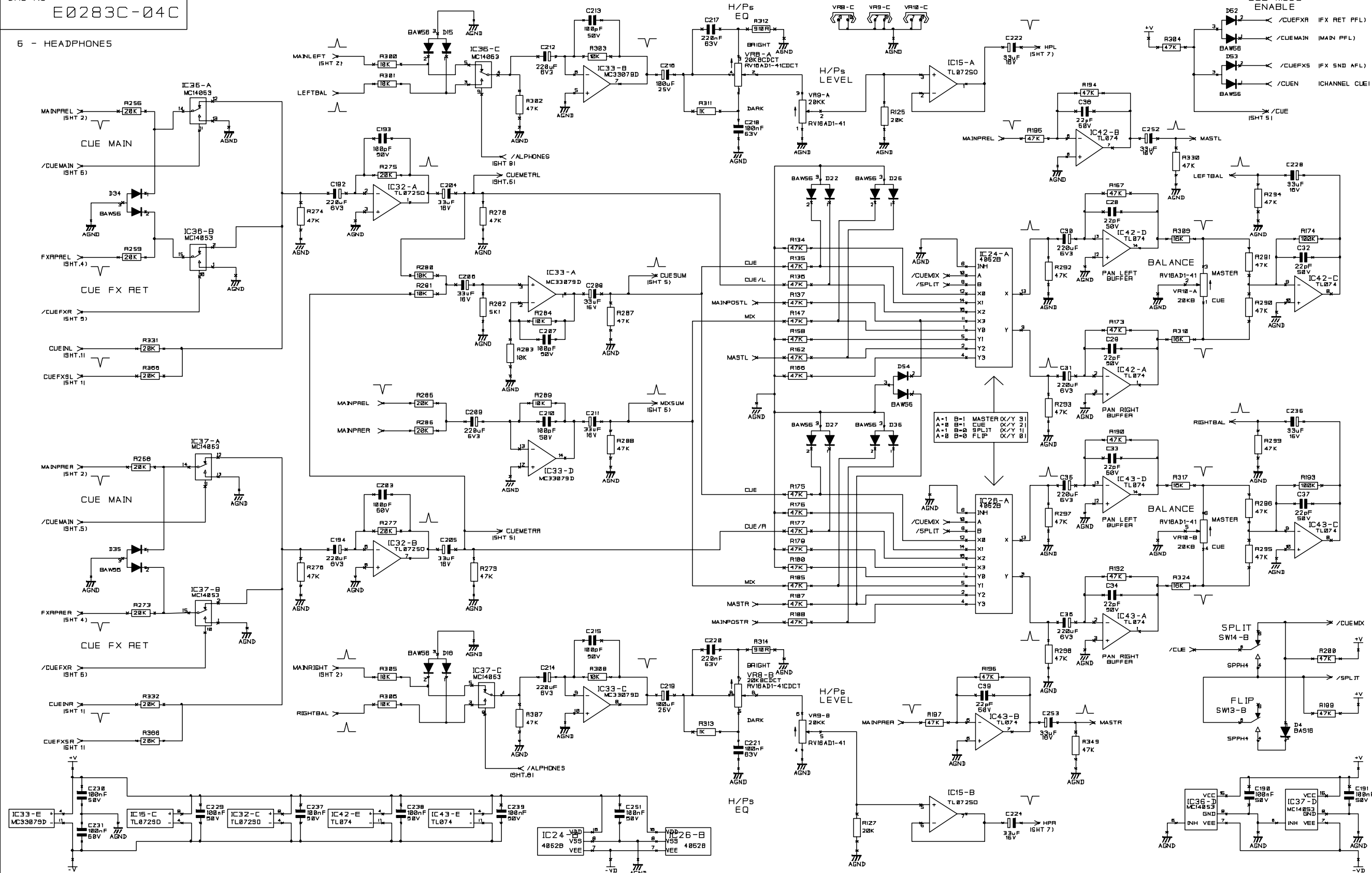
NOTES

DRN.	CN No.	INITIAL	DATE	ISSUE
MSW	----	MSW	31-08-05	01A
DATE	----	MSW	02-11-05	02A
PROJECT CODE	----	MSW	07-02-06	03A
	----	MSW	02-03-06	04A
	----	MSW	02-03-06	04B
	ECNH699	PST	11-04-06	04B

TITLE	DRG NO	SHT 5 OF 8
URE1 1603/1605 MASTER & MIX PCB METERS	E0283C-04C	

DRG NO
E0283C-04C

6 - HEADPHONES



HARMAN INTERNATIONAL INDUSTRIES LTD. OWNS THE COPYRIGHT OF THIS DRAWING WHICH IS NOT TO BE COPIED, REPRODUCED OR DISCLOSED, IN PART OR WHOLE TO A THIRD PARTY WITHOUT PRIOR WRITTEN PERMISSION

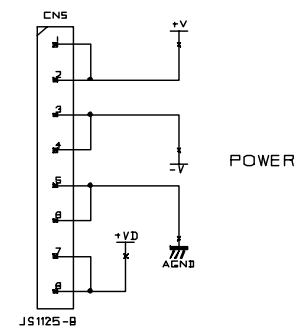
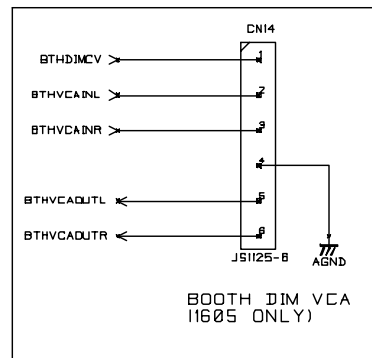
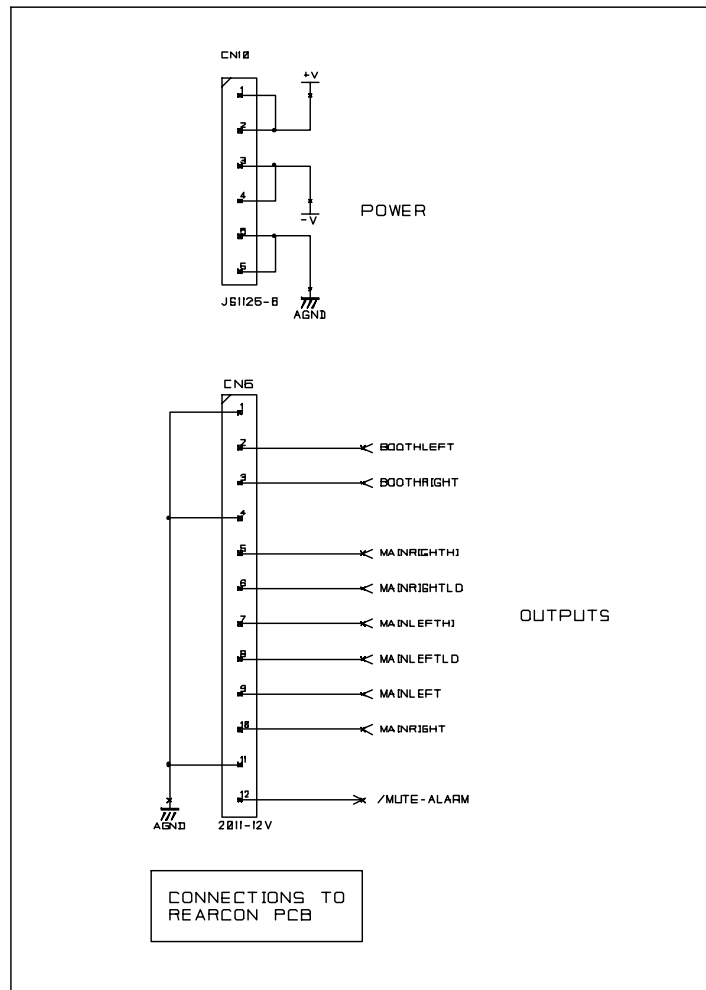
SOUNDCRAFT/BSS
HARMAN INT INDUSTRIES LTD
CRANBORNE HOUSE,
CRANBORNE ROAD,
POTTERS BAR,
HERTS. EN6 3JN.
TEL: 01707 665000
FAX: 01707 660482

NOTES: HEADPHONES MONITOR MODES.
DEFAULT STEREO MASTER AFL (L/R BALANCE)
ANY CUE SELECTED: STEREO CUE + STEREO MAIN PFL (CUE/MAIN BAL)
CUE + SPLIT: MONO CUE/MONO MAIN PFL (CUE/MAIN PAN)
CUE + SPLIT + FLIP: MONO MAIN PFL/MONO CUE (CUE/MAIN PAN)
EXTERNAL MUTE: MC MIC IIF PRESET LEVEL CONTROL UP - SHT.8)

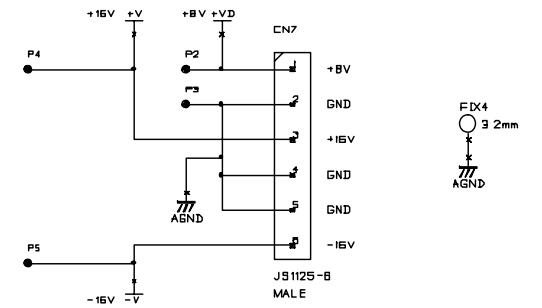
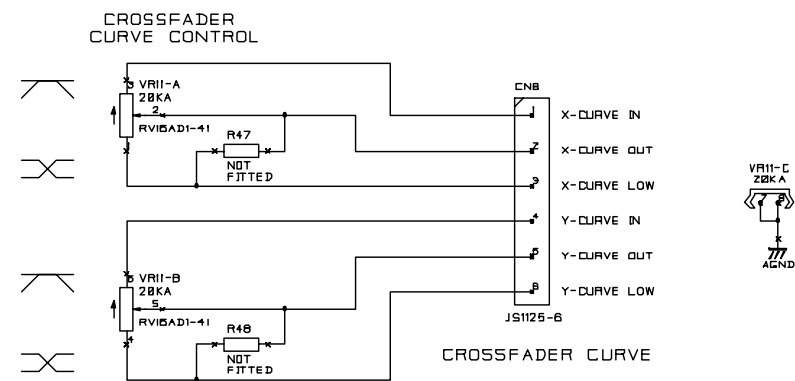
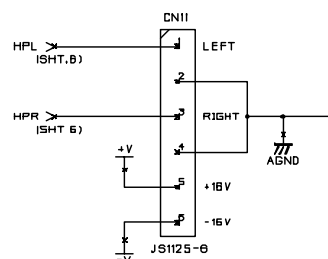
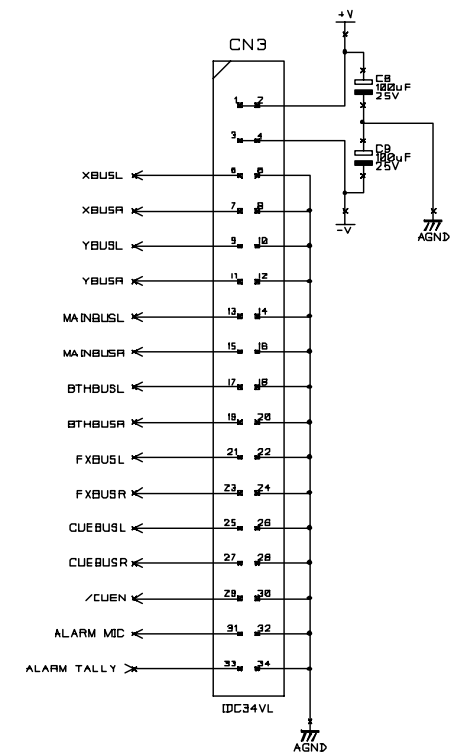
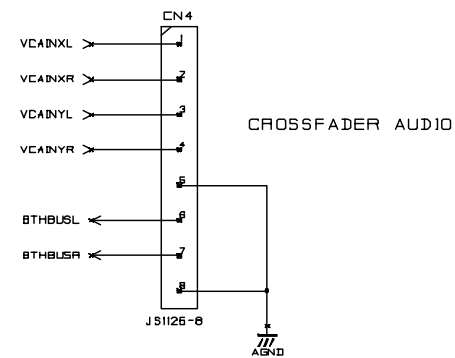
DRN	MSW	CN No	INITIAL	DATE	ISSUE
DATE	01-03-06	---	MSW	31-08-05	01A
PROJECT CODE		---	MSW	02-11-05	02A
		---	MSW	07-02-06	03A
		---	MSW	02-03-06	04A
		---	MSW	02-03-06	04B
		ECNH899	PST	11-04-06	04B

TITLE URE1 1603/1605
MASTER & MIX PCB
HEADPHONES
DRG NO. E0283C-04C SHT.5 OF 8

7 - INTERCONNECT



CONNECTIONS
TO VCA PCB
1603 & 1605



HARMAN INTERNATIONAL INDUSTRIES LTD. OWNS THE COPYRIGHT OF THIS DRAWING WHICH IS NOT TO BE COPIED, REPRODUCED OR DISCLOSED, IN PART OR WHOLE TO A THIRD PARTY WITHOUT PRIOR WRITTEN PERMISSION.

SOUNDCRAFT/BSS
HARMAN INT INDUSTRIES LTD
CRANBORNE HOUSE,
CRANBORNE ROAD,
POTTERS BAR,
HERTS. EN6 3JN.
TEL: 01707 665000
FAX: 01707 660482

NOTES

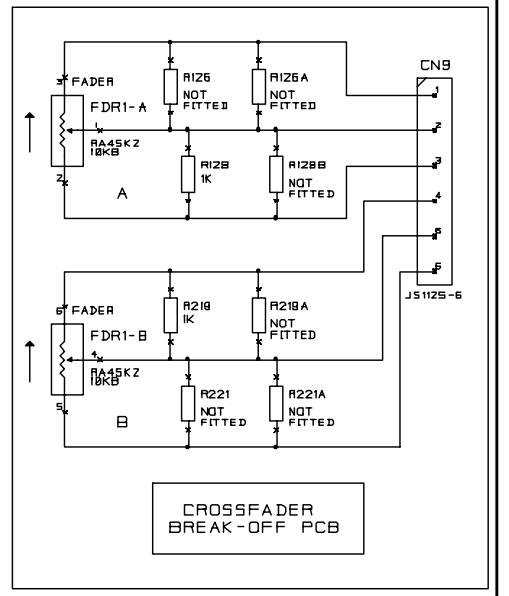
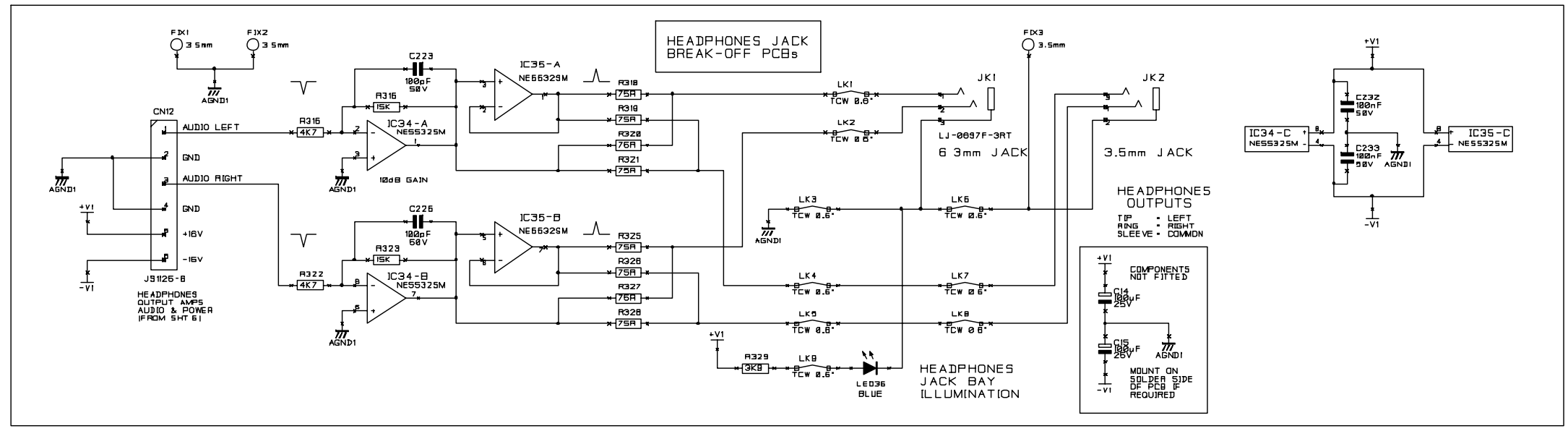
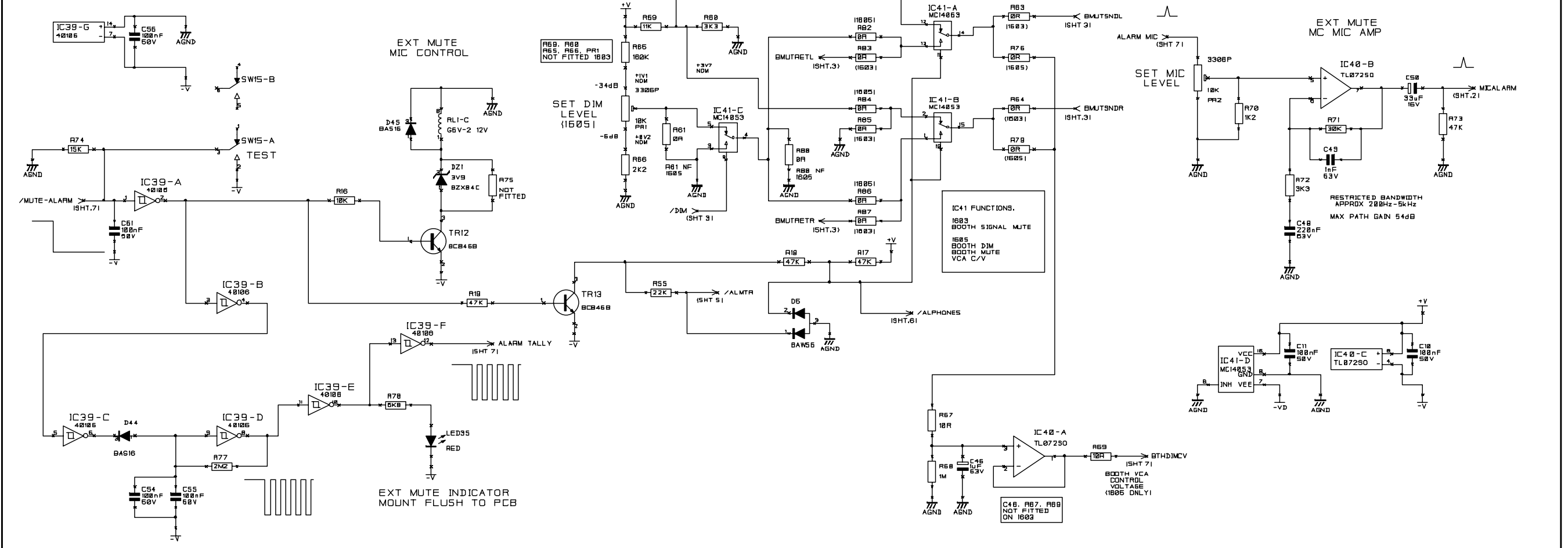
DRN.	MSW
DATE	01-03-06
PROJECT CODE	

CN No.	INITIAL	DATE	ISSUE
----	MSW	31-08-05	01A
----	MSW	02-11-05	02A
----	MSW	07-02-06	03A
----	MSW	02-03-06	04A
----	MSW	02-03-06	04B
ECNH699	PST	11-04-06	04B

TITLE	URE1 1603/1605 MASTER & MIX PCB
	INTERCONNECT
DRG NO	E0283C-04C
	SHT 7 OF 8

DRG NO
E0283C-04C

8 - MISCELLANEOUS



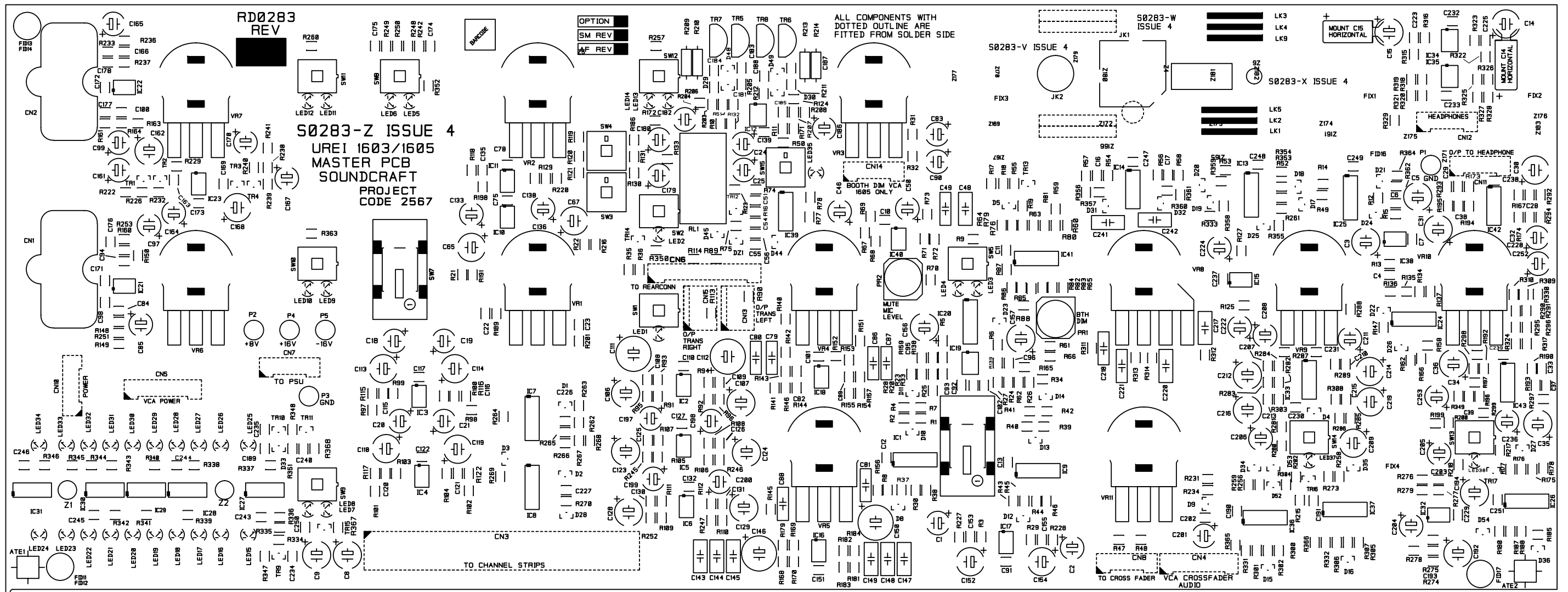
HARMAN INTERNATIONAL INDUSTRIES LTD. OWNS THE COPYRIGHT OF THIS DRAWING WHICH IS NOT TO BE COPIED, REPRODUCED OR DISCLOSED, IN PART OR WHOLE TO A THIRD PARTY WITHOUT PRIOR WRITTEN PERMISSION.

SOUNDCRAFT/BSS
HARMAN INT INDUSTRIES LTD
CRANBORNE HOUSE,
CRANBORNE ROAD,
POTTERS BAR,
HERTS. EN6 3JN.
TEL: 01707 665000
FAX: 01707 660482

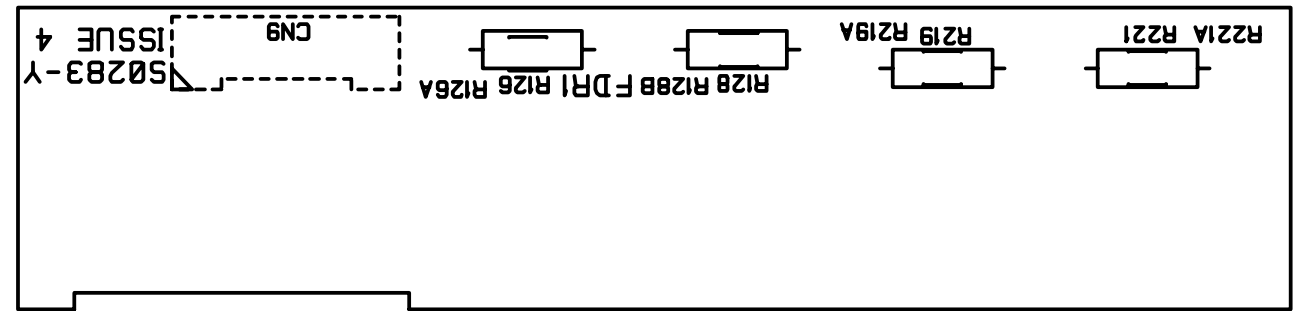
NOTES

DRN.	MSW	CN No.	INITIAL	DATE	ISSUE
DATE	01-03-06	---	MSW	31-08-05	01A
PROJECT CODE		---	MSW	02-11-05	02A
		---	MSW	07-02-06	03A
		---	MSW	02-03-06	04A
		---	MSW	02-03-06	04B
		ECNH699	PST	11-04-06	04B

TITLE	URE1 1603/1605 MASTER & MIX PCB
	MISC
DRG NO.	E0283C-04C
	SHT. 8 OF 8

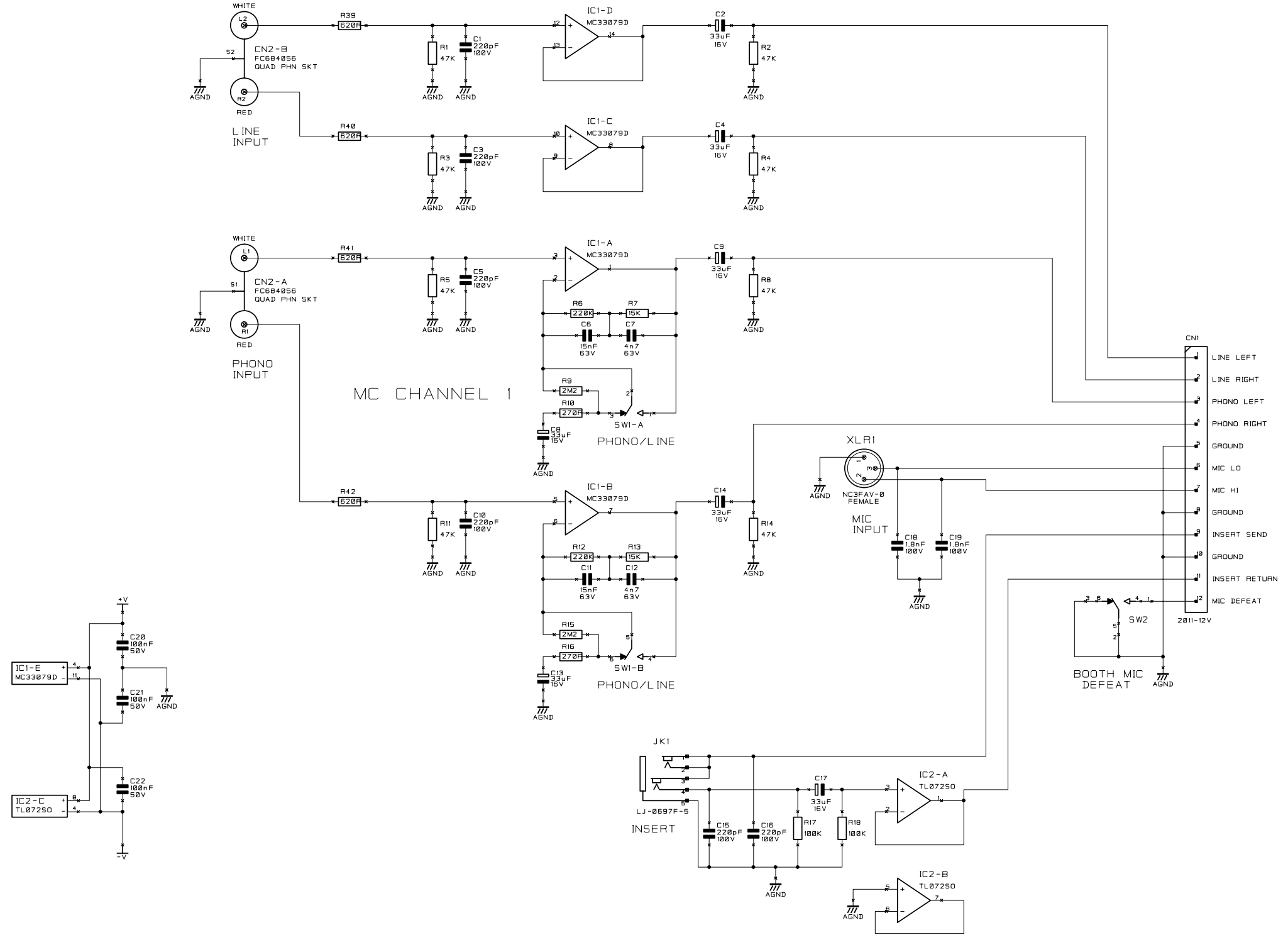


UREI 1603/1605
 MASTER PCB
 S0283-04



DRG NO.
E0284A-04A

CHANNEL 1 INPUTS



HARMAN INTERNATIONAL INDUSTRIES LTD. OWNS THE COPYRIGHT OF THIS DRAWING WHICH IS NOT TO BE COPIED, REPRODUCED OR DISCLOSED, IN PART OR WHOLE TO A THIRD PARTY WITHOUT PRIOR WRITTEN PERMISSION.

SOUNDCRAFT/BSS
HARMAN INT. INDUSTRIES LTD.
CRANBORNE HOUSE,
CRANBORNE ROAD,
POTTERS BAR,
HERTS. EN6 3JN.
TEL: 01707 665000
FAX: 01707 660482

NOTES:

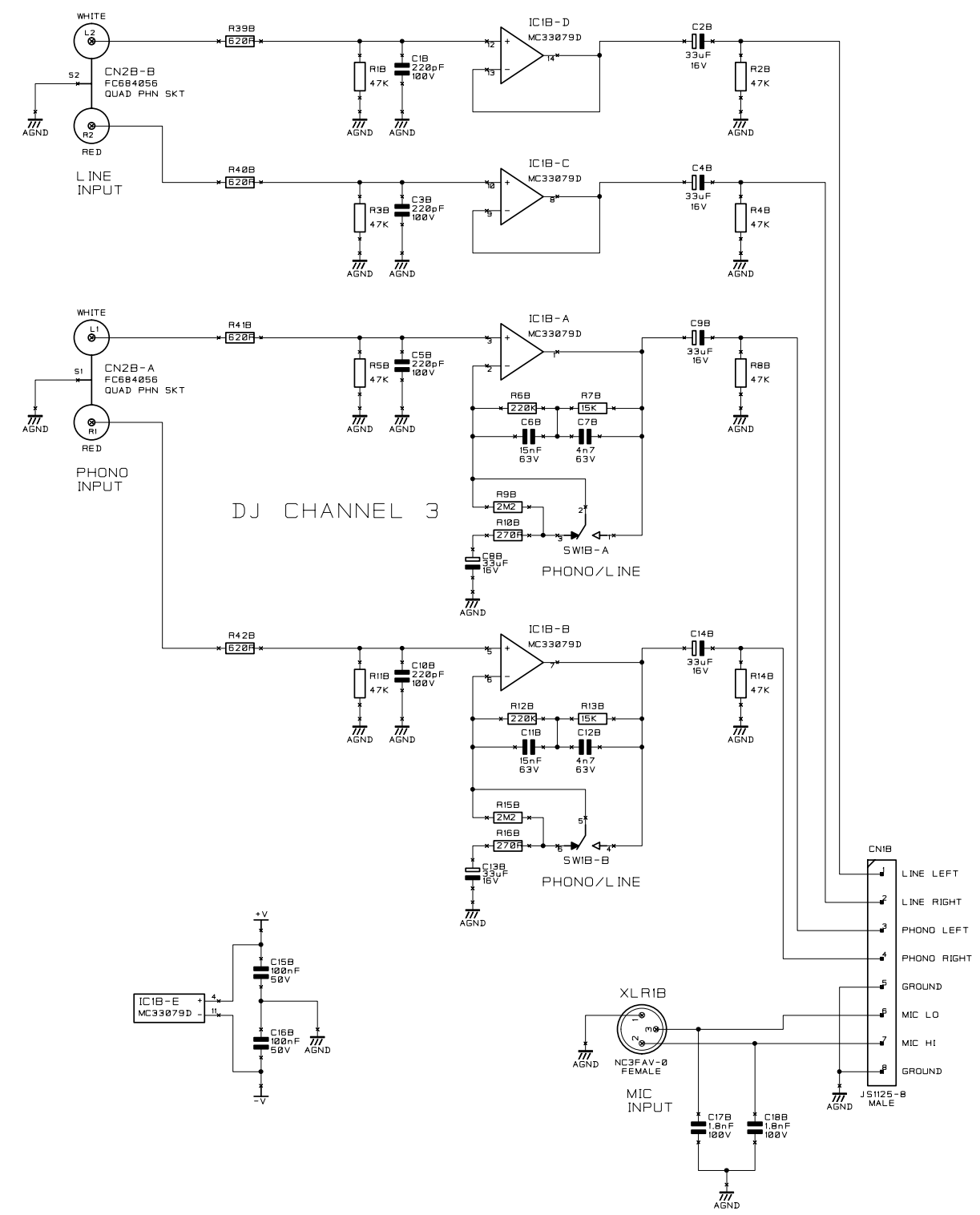
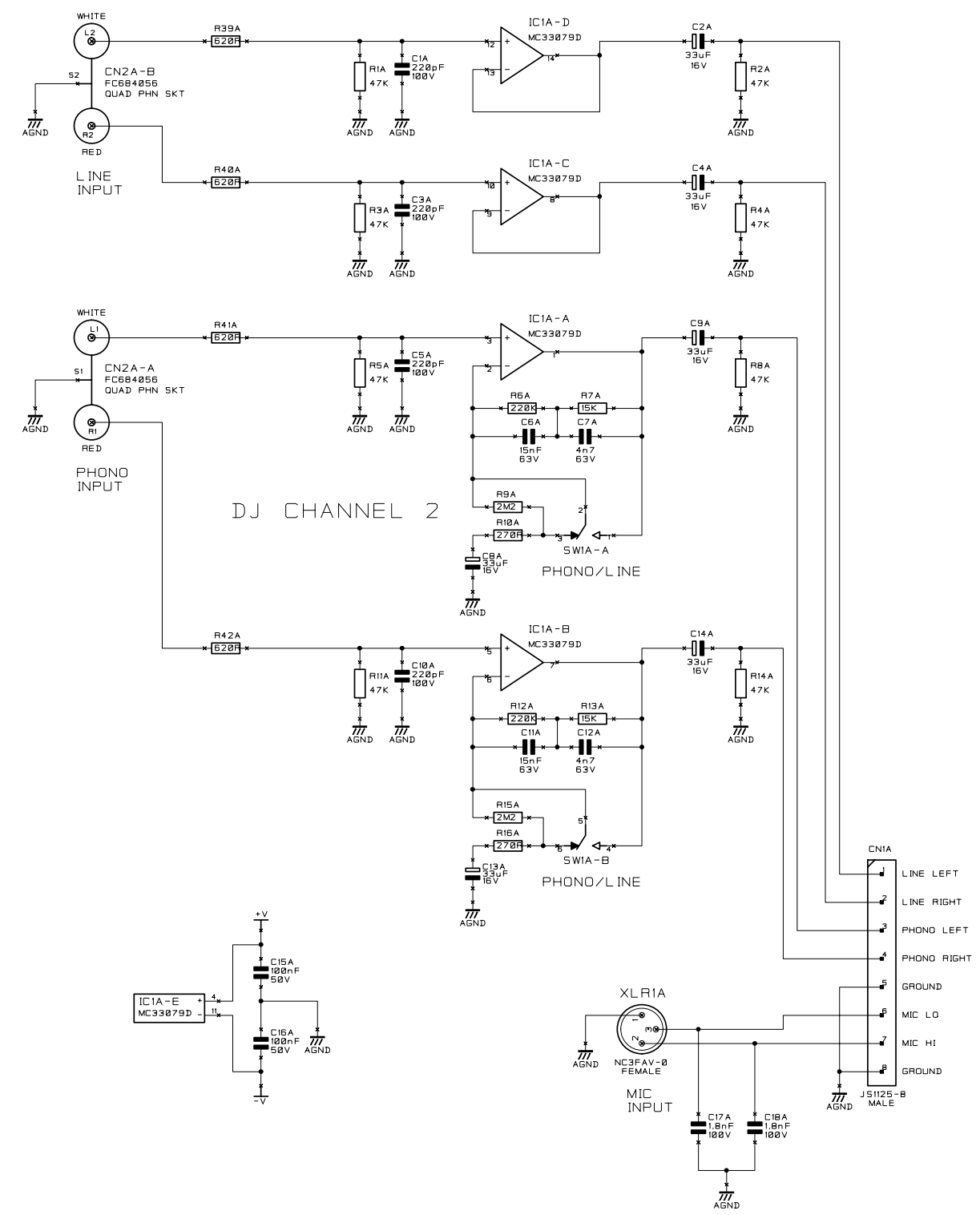
DRN. MSW
DATE 07-12-05
PROJECT CODE

CN No.	INITIAL	DATE	ISSUE	TITLE
	MSW	17-08-05	01A	PROJECT NAME URE1 1603 REARCON CHANNEL 1 INPUTS
	MSW	04-11-05	02A	
	MSW	-----	03A	
ECN700	RNJS	12-04-06	04A	

DRG NO. E0284A-04A
SHT.1 OF 4

DRG NO.
E0284A-04A

CHANNELS 2, 3 INPUTS



HARMAN INTERNATIONAL INDUSTRIES LTD. OWNS THE COPYRIGHT OF THIS DRAWING WHICH IS NOT TO BE COPIED, REPRODUCED OR DISCLOSED, IN PART OR WHOLE TO A THIRD PARTY WITHOUT PRIOR WRITTEN PERMISSION.

SOUNDCRAFT/BSS
HARMAN INT. INDUSTRIES LTD.
CRANBORNE HOUSE,
CRANBORNE ROAD,
POTTERS BAR,
HERTS. EN6 3JN.
TEL: 01707 665000
FAX: 01707 660482

NOTES:

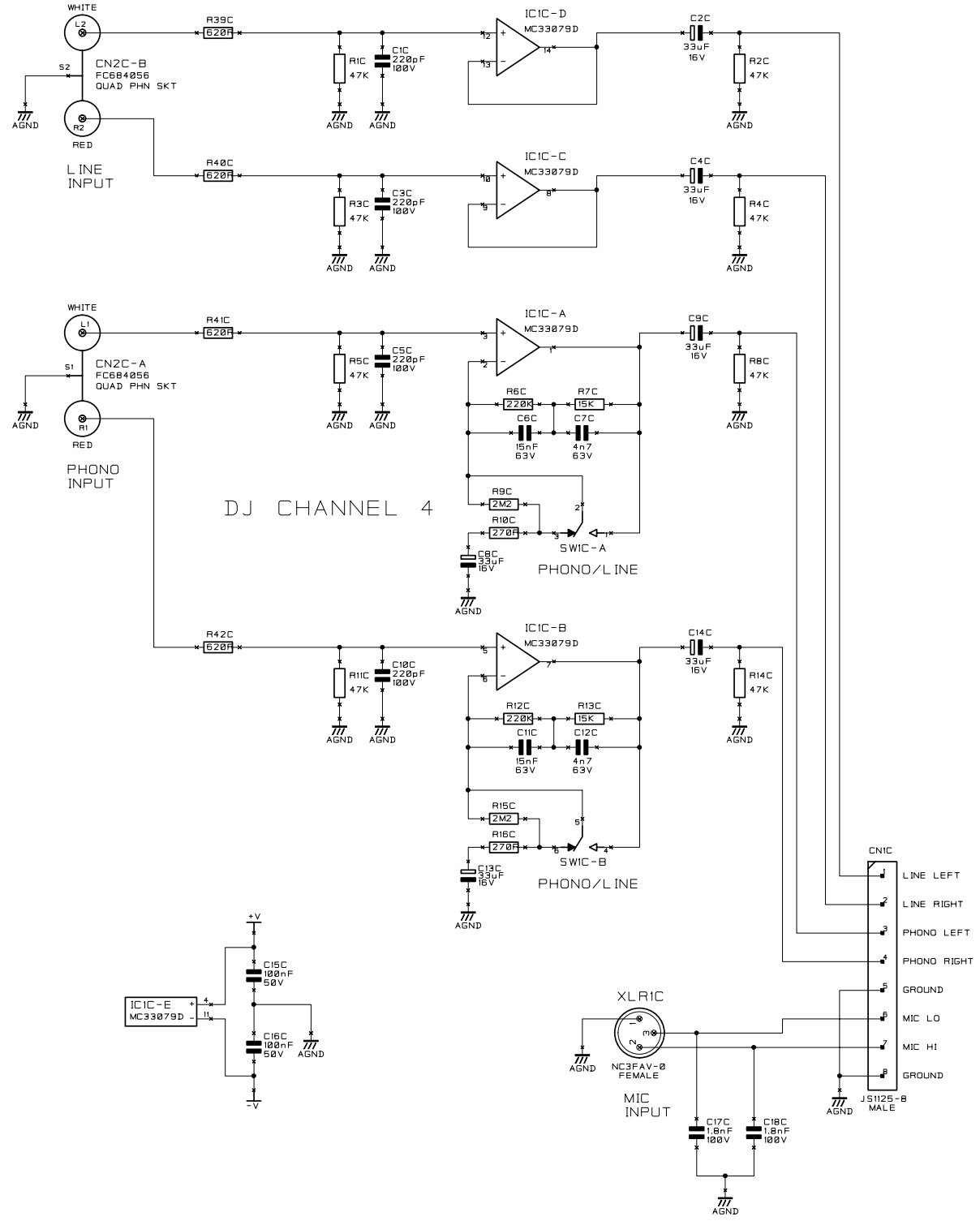
DRN.	MSW
DATE	07-12-05
PROJECT CODE	

CN No.	INITIAL	DATE	ISSUE	TITLE
	MSW	17-08-05	01A	PROJECT NAME URE1 1603 REARCON CHANNELS 2, 3 INPUTS
	MSW	04-11-05	02A	
	MSW	-----	03A	
ECN700	RNJS	12-04-06	04A	

DRG NO.	E0284A-04A	SHT 2 OF 4
---------	------------	------------

DRG NO.
E0284A-04A

CHANNEL 4 INPUTS



DJ CHANNEL 4

HARMAN INTERNATIONAL INDUSTRIES LTD. OWNS THE COPYRIGHT OF THIS DRAWING WHICH IS NOT TO BE COPIED, REPRODUCED OR DISCLOSED, IN PART OR WHOLE TO A THIRD PARTY WITHOUT PRIOR WRITTEN PERMISSION.

SOUNDCRAFT/BSS
HARMAN INT. INDUSTRIES LTD.
CRANBORNE HOUSE,
CRANBORNE ROAD,
POTTERS BAR,
HERTS. EN6 3JN.
TEL: 01707 665000
FAX: 01707 660482

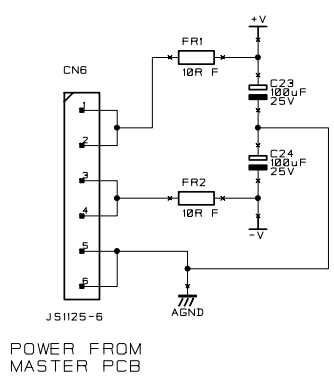
NOTES:

DRN.	MSW	CN No.	INITIAL	DATE	ISSUE	TITLE
DATE	07-12-05	ECN700	MSW	17-08-05	01A	PROJECT NAME
PROJECT CODE			MSW	04-11-05	02A	URE1 1603 REARCON
			RNJS	12-04-06	04A	CHANNEL 4 INPUTS

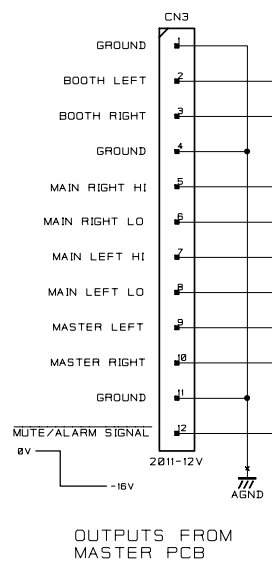
DRG NO.	E0284A-04A	SHT. 3 OF 4
---------	------------	-------------

DRG NO.
E0284A-04A

POWER AND OUTPUTS

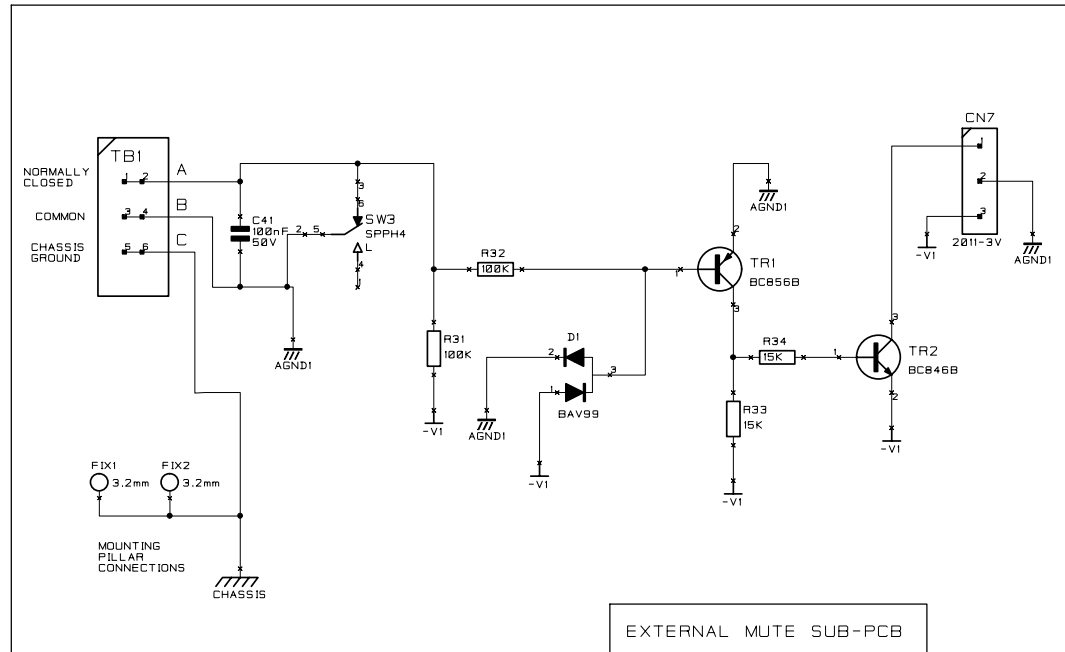


POWER FROM MASTER PCB

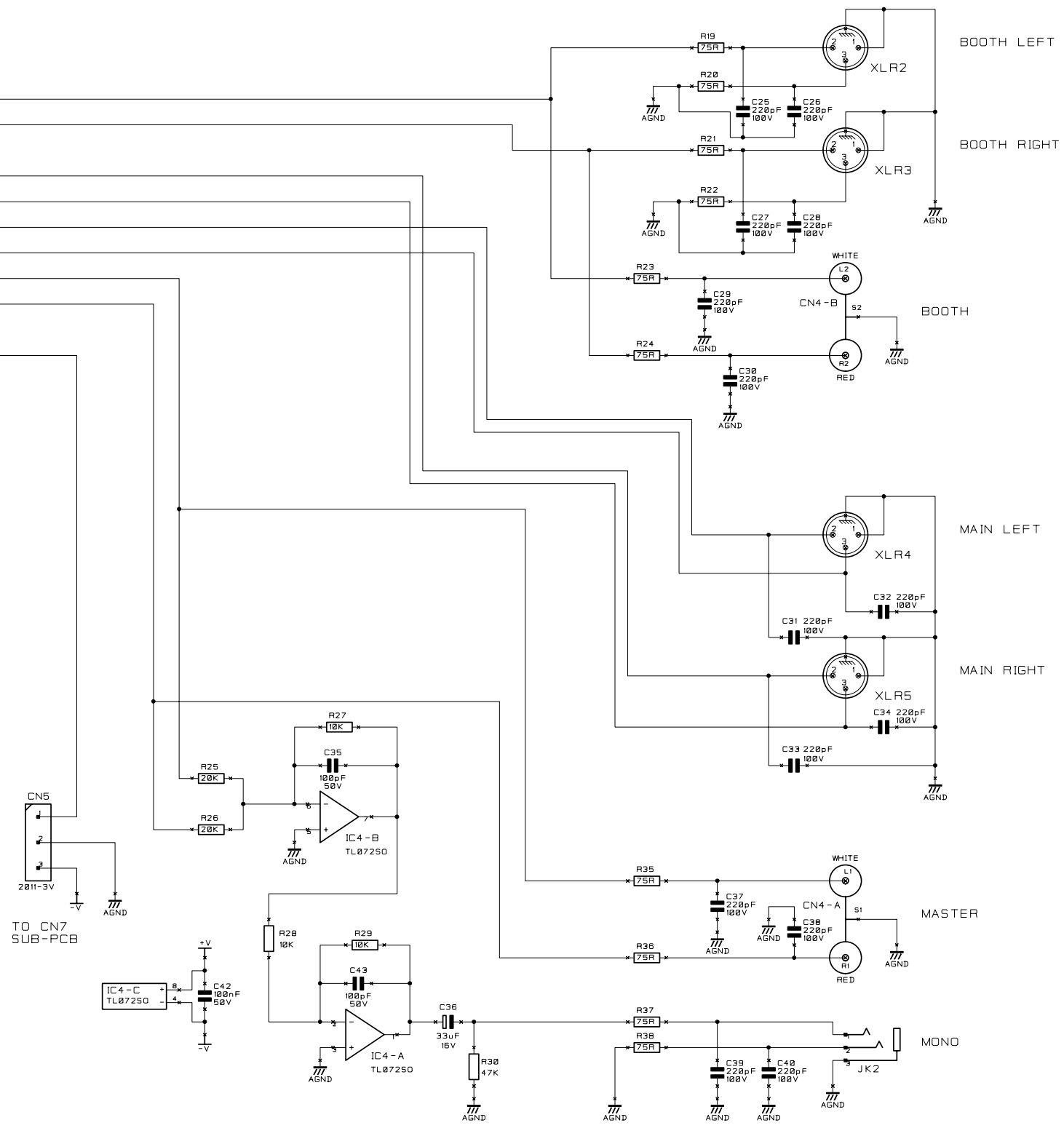


OUTPUTS FROM MASTER PCB

FOR EXTERNAL MUTE OPERATION:
DEPRESS SW3 (SHOWN IN NON-OPERATIONAL MODE)
APPLY A NORMALLY CLOSED CONNECTION
ACROSS TERMINALS A & B TO PASS AUDIO
BREAK/OPEN THIS CONNECTION TO MUTE CONSOLE



EXTERNAL MUTE SUB-PCB



HARMAN INTERNATIONAL INDUSTRIES LTD. OWNS THE COPYRIGHT OF THIS DRAWING WHICH IS NOT TO BE COPIED, REPRODUCED OR DISCLOSED, IN PART OR WHOLE TO A THIRD PARTY WITHOUT PRIOR WRITTEN PERMISSION.

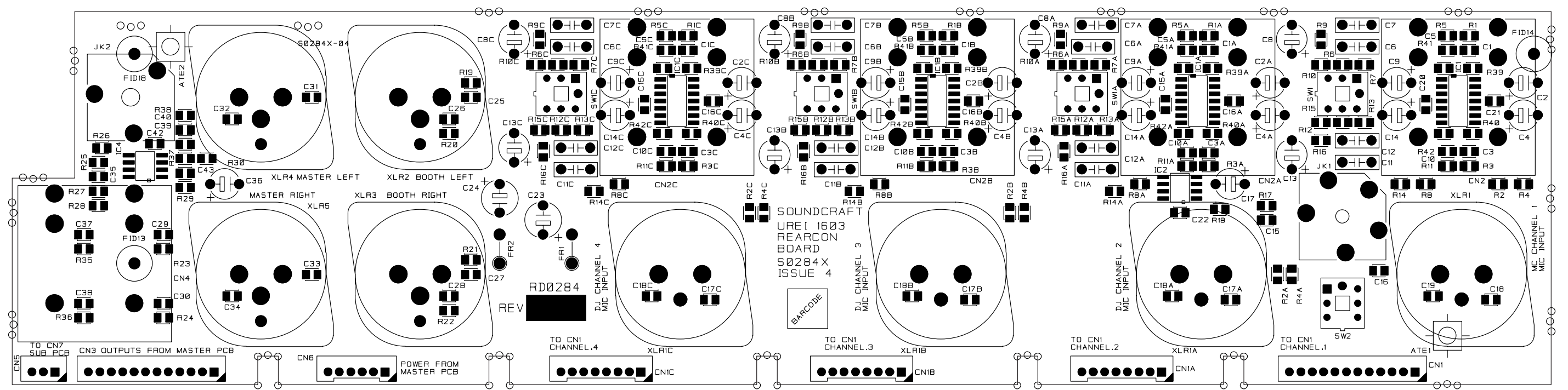
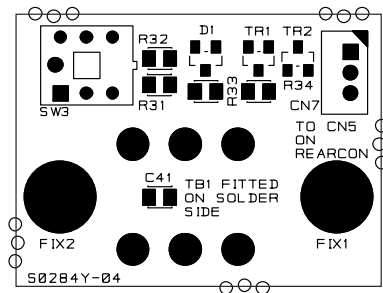
SOUNDCRAFT/BSS
HARMAN INT. INDUSTRIES LTD.
CRANBORNE HOUSE,
CRANBORNE ROAD,
POTTERS BAR,
HERTS. EN6 3JN.
TEL: 01707 665000
FAX: 01707 660482

NOTES:

DRN.	MSW
DATE	07-12-05
PROJECT CODE	

CN No.	INITIAL	DATE	ISSUE
	MSW	17-08-05	01A
	MSW	04-11-05	02A
	MSW	-----	03A
ECN700	RNJS	12-04-06	04A

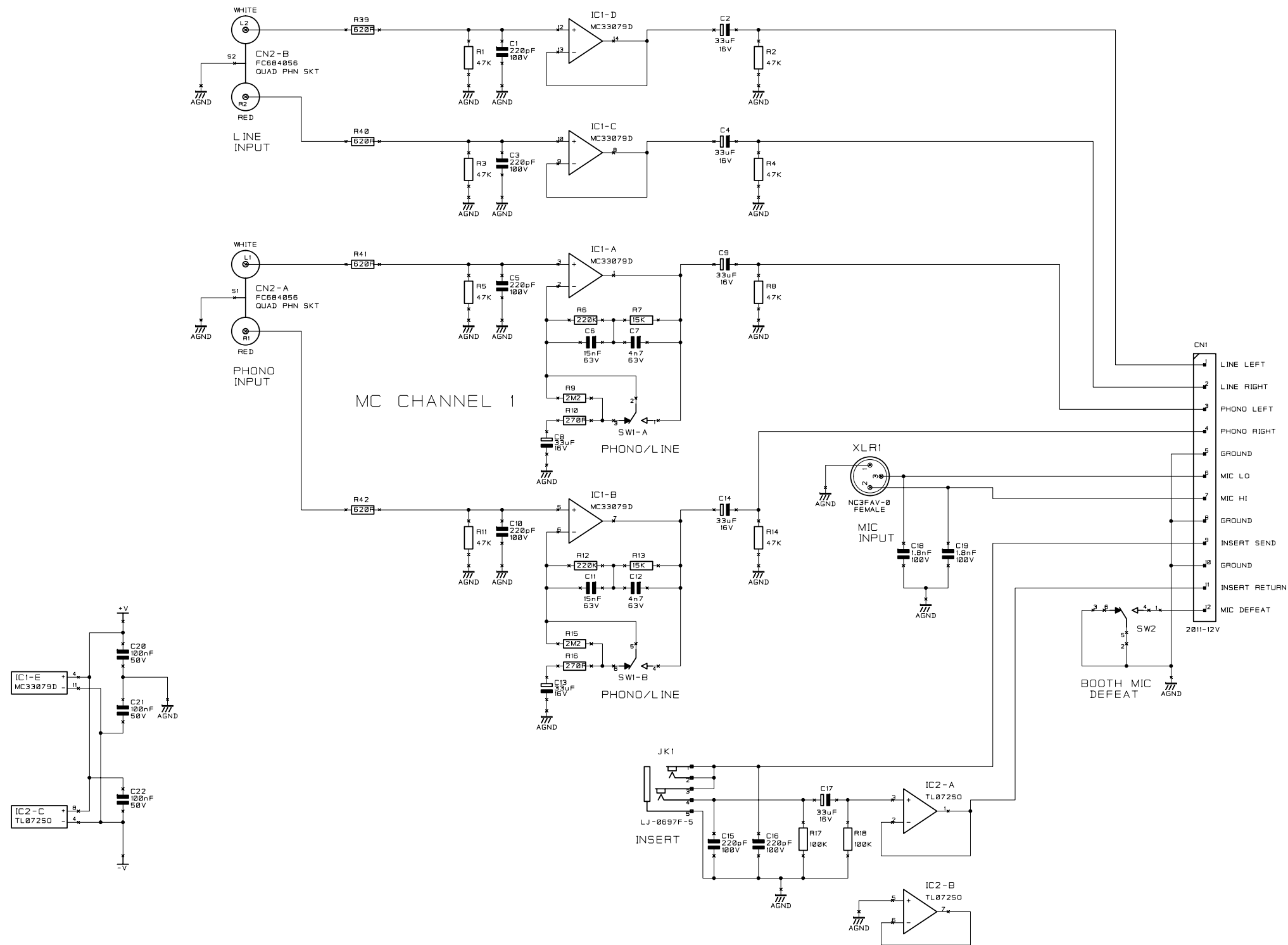
TITLE	PROJECT NAME
	URE1 1603 REARCON POWER & OUTPUTS
DRG NO.	E0284A-04A
	SHT. 4 OF 4



UR1E 1603 REARCON BOARD
S0284-04

DRG NO.
E0306A-03A

CHANNEL 1 INPUTS



HARMAN INTERNATIONAL INDUSTRIES LTD. OWNS THE COPYRIGHT OF THIS DRAWING WHICH IS NOT TO BE COPIED, REPRODUCED OR DISCLOSED, IN PART OR WHOLE TO A THIRD PARTY WITHOUT PRIOR WRITTEN PERMISSION.

SOUNDCRAFT/BSS
HARMAN INT. INDUSTRIES LTD.
CRANBORNE HOUSE,
CRANBORNE ROAD,
POTTERS BAR,
HERTS. EN6 3JN.
TEL: 01707 665000
FAX: 01707 660482

NOTES:

DRN. MSW
DATE 14-12-05
PROJECT CODE

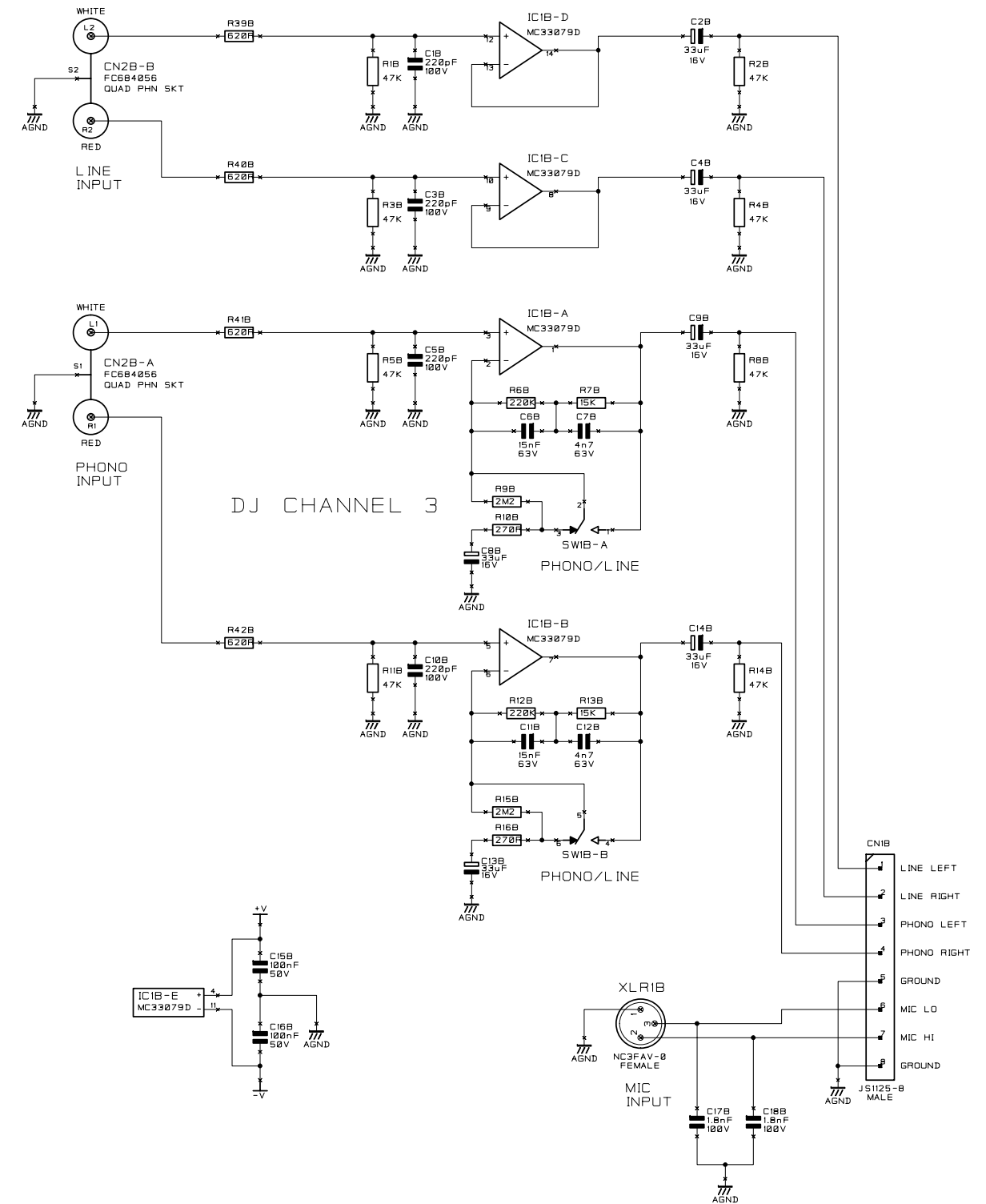
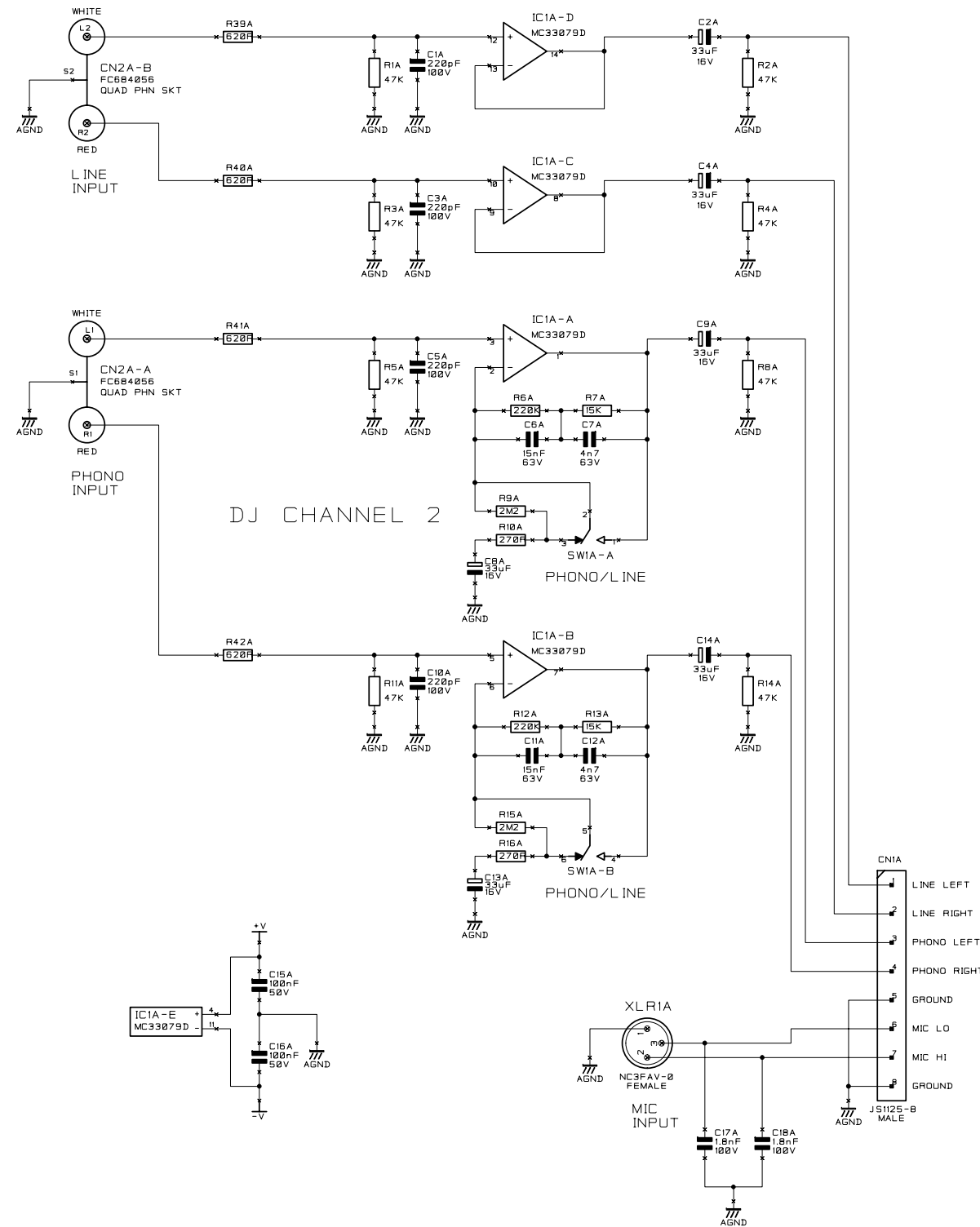
CN No.	INITIAL	DATE	ISSUE	TITLE
	MSW	17-08-05	01A	PROJECT NAME URE1 1605 REARCON CHANNEL 1 INPUTS
	MSW	04-11-05	02A	
	MSW	15-12-05	03A	
				DRG NO. E0306A-03A

DRG NO. E0306A-03A

SHT.1
OF 5

DRG NO.
E0306A-03A

CHANNELS 2, 3 INPUTS



HARMAN INTERNATIONAL INDUSTRIES LTD. OWNS THE COPYRIGHT OF THIS DRAWING WHICH IS NOT TO BE COPIED, REPRODUCED OR DISCLOSED, IN PART OR WHOLE TO A THIRD PARTY WITHOUT PRIOR WRITTEN PERMISSION.

SOUNDCRAFT/BSS
HARMAN INT. INDUSTRIES LTD.
CRANBORNE HOUSE,
CRANBORNE ROAD,
POTTERS BAR,
HERTS. EN6 3JN.
TEL: 01707 665000
FAX: 01707 660482

NOTES:

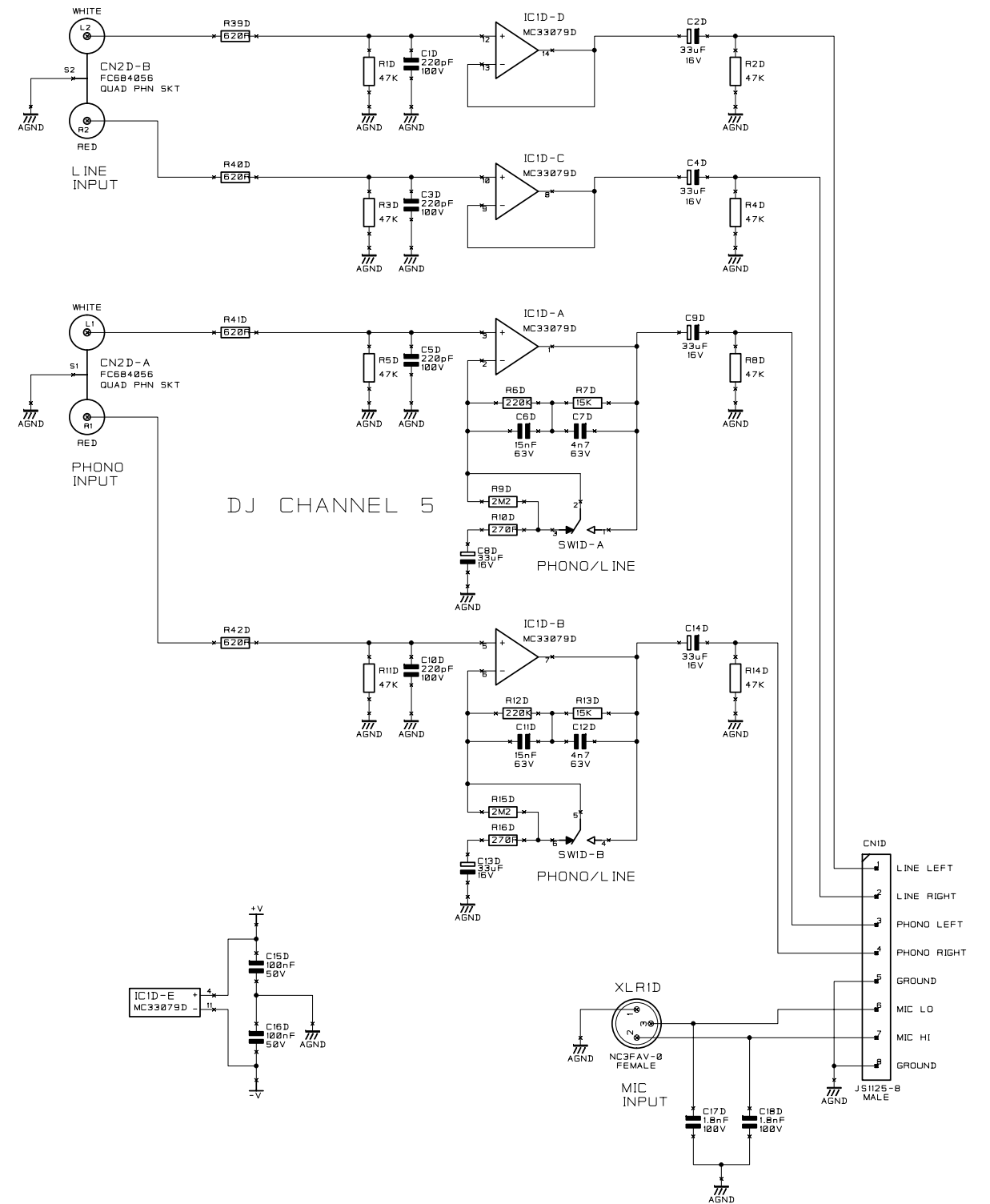
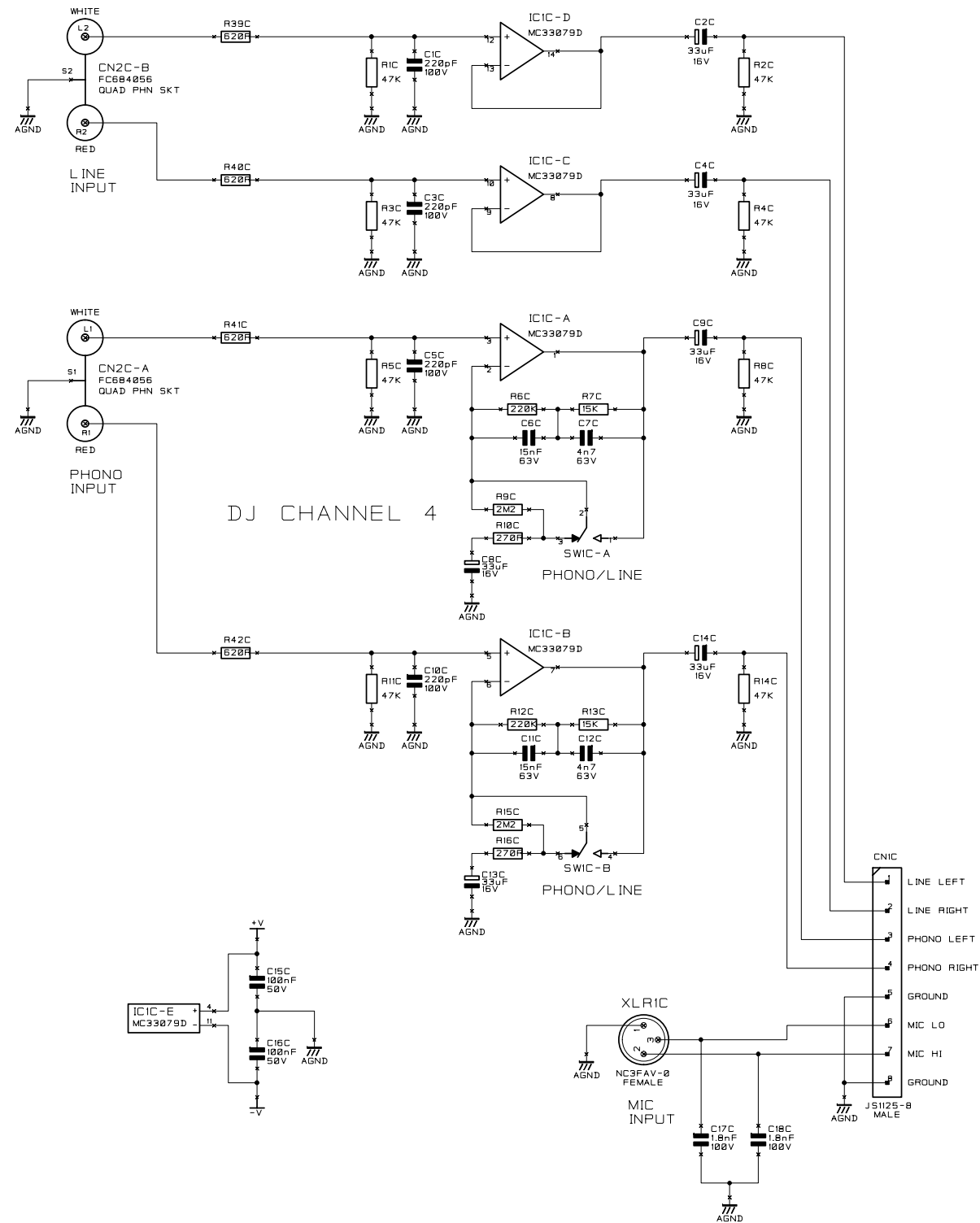
DRN. MSW
DATE 14-12-05
PROJECT CODE

CN No.	INITIAL	DATE	ISSUE	TITLE
	MSW	17-08-05	01A	PROJECT NAME URE1 1605 REARCON CHANNELS 2, 3 INPUTS
	MSW	04-11-05	02A	
	MSW	15-12-05	03A	

DRG NO. E0306A-03A
SHT. 2 OF 5

DRG NO.
E0306A-03A

CHANNELS 4, 5 INPUTS



HARMAN INTERNATIONAL INDUSTRIES LTD. OWNS THE COPYRIGHT OF THIS DRAWING WHICH IS NOT TO BE COPIED, REPRODUCED OR DISCLOSED, IN PART OR WHOLE TO A THIRD PARTY WITHOUT PRIOR WRITTEN PERMISSION.

SOUNDCRAFT/BSS
HARMAN INT. INDUSTRIES LTD.
CRANBORNE HOUSE,
CRANBORNE ROAD,
POTTERS BAR,
HERTS. EN6 3JN.
TEL: 01707 665000
FAX: 01707 660482

NOTES:

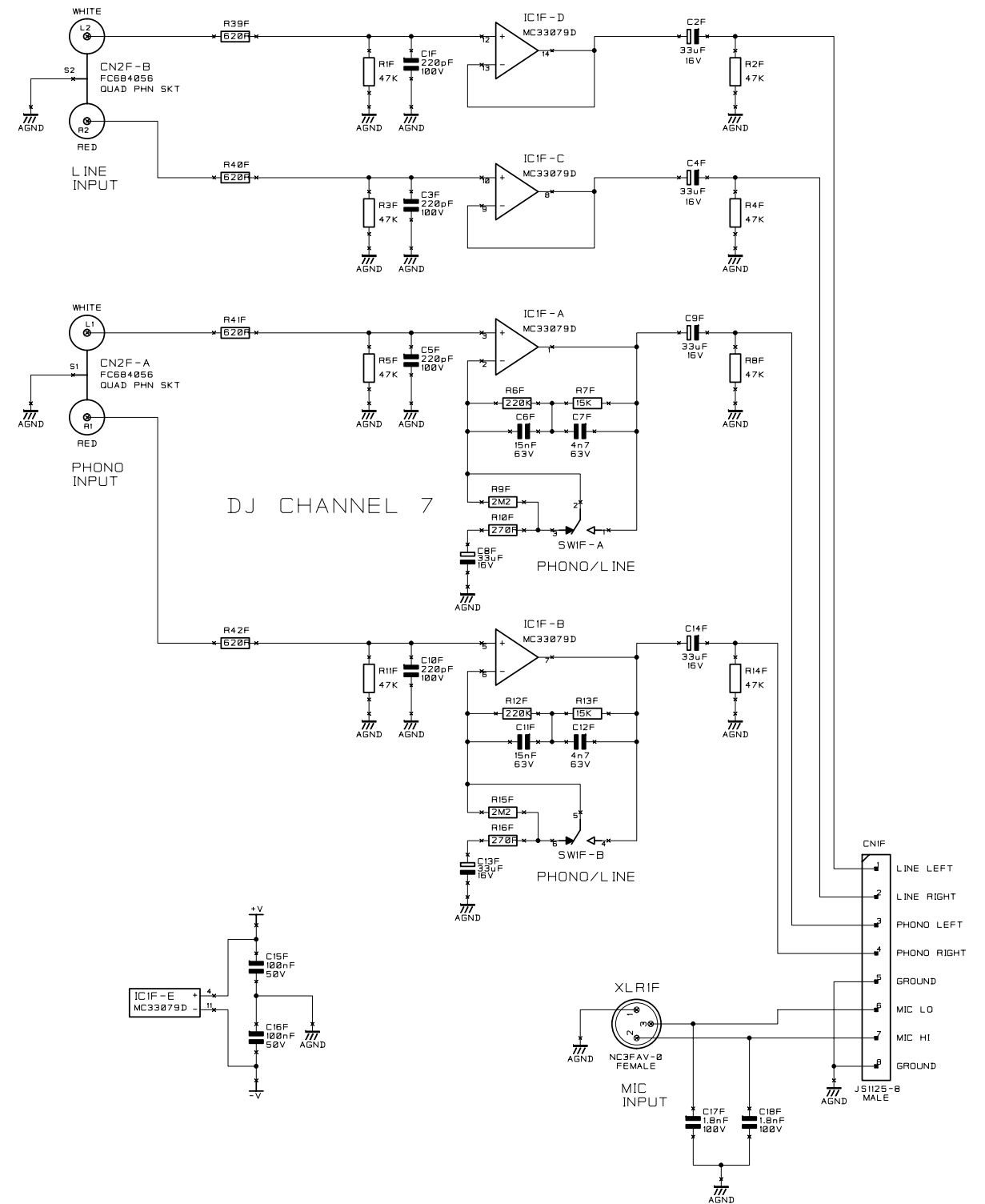
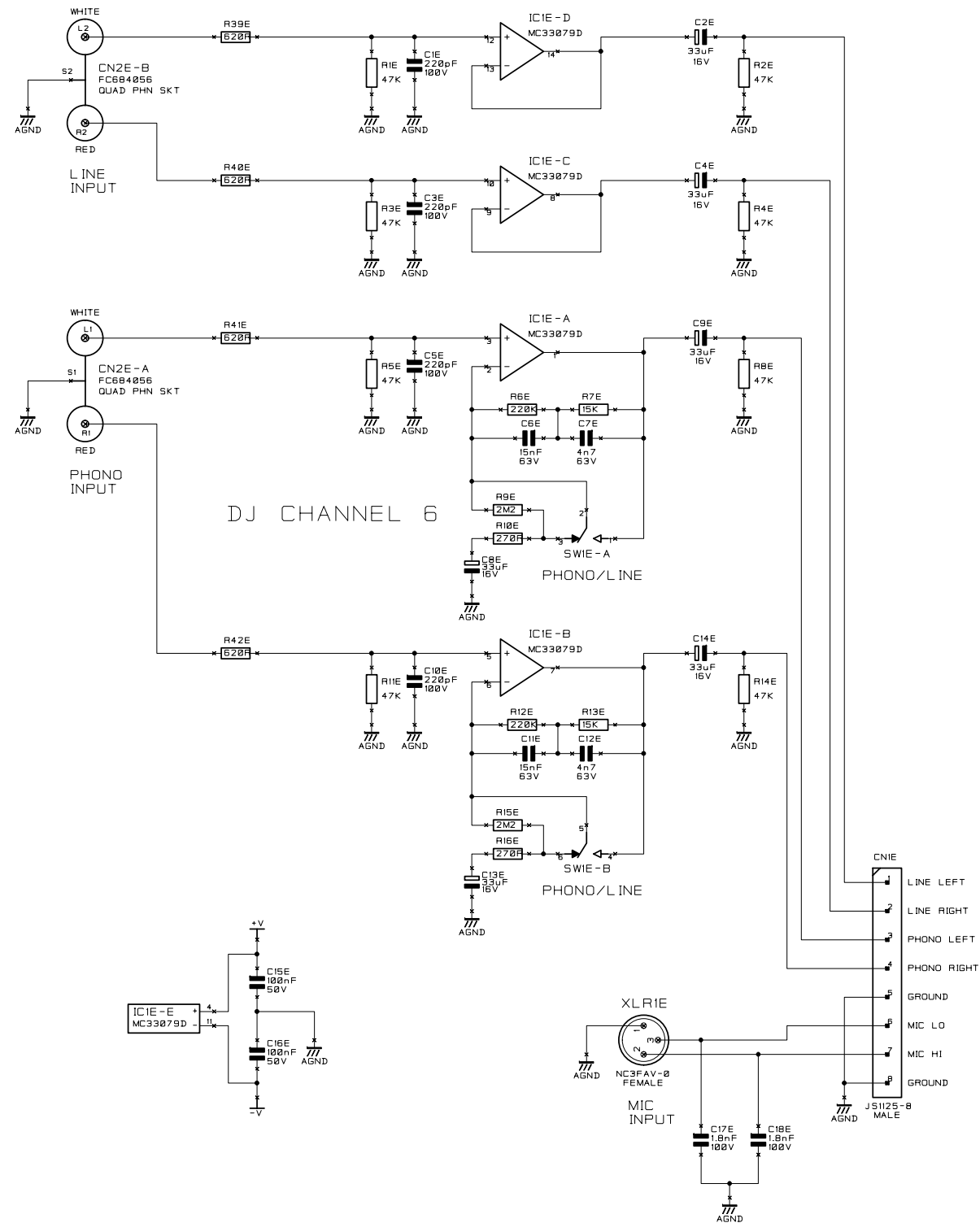
DRN. MSW
DATE 14-12-05
PROJECT CODE

CN No.	INITIAL	DATE	ISSUE
	MSW	17-08-05	01A
	MSW	04-11-05	02A
	MSW	15-12-05	03A

TITLE
PROJECT NAME
URE1 1605 REARCON
CHANNELS 4, 5 INPUTS
DRG NO. E0306A-03A
SHT. 3 OF 5

DRG NO.
E0306A-03A

CHANNELS 6, 7 INPUTS



HARMAN INTERNATIONAL INDUSTRIES LTD. OWNS THE COPYRIGHT OF THIS DRAWING WHICH IS NOT TO BE COPIED, REPRODUCED OR DISCLOSED, IN PART OR WHOLE TO A THIRD PARTY WITHOUT PRIOR WRITTEN PERMISSION.

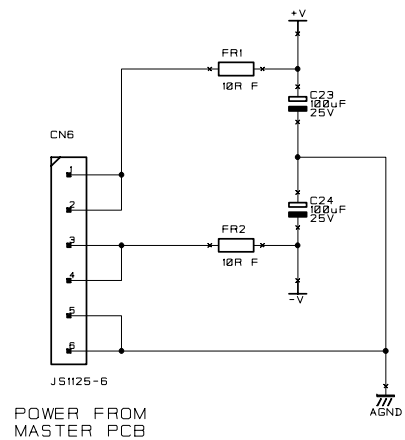
SOUNDCRAFT/BSS
HARMAN INT. INDUSTRIES LTD.
CRANBORNE HOUSE,
CRANBORNE ROAD,
POTTERS BAR,
HERTS. EN6 3JN.
TEL: 01707 665000
FAX: 01707 660482

NOTES:

DRN.	CN No.	INITIAL	DATE	ISSUE	TITLE
MSW		MSW	17-08-05	01A	PROJECT NAME URE1 1605 REARCON CHANNELS 6, 7 INPUTS
DATE		MSW	04-11-05	02A	
		MSW	15-12-05	03A	
PROJECT CODE					DRG NO. E0306A-03A

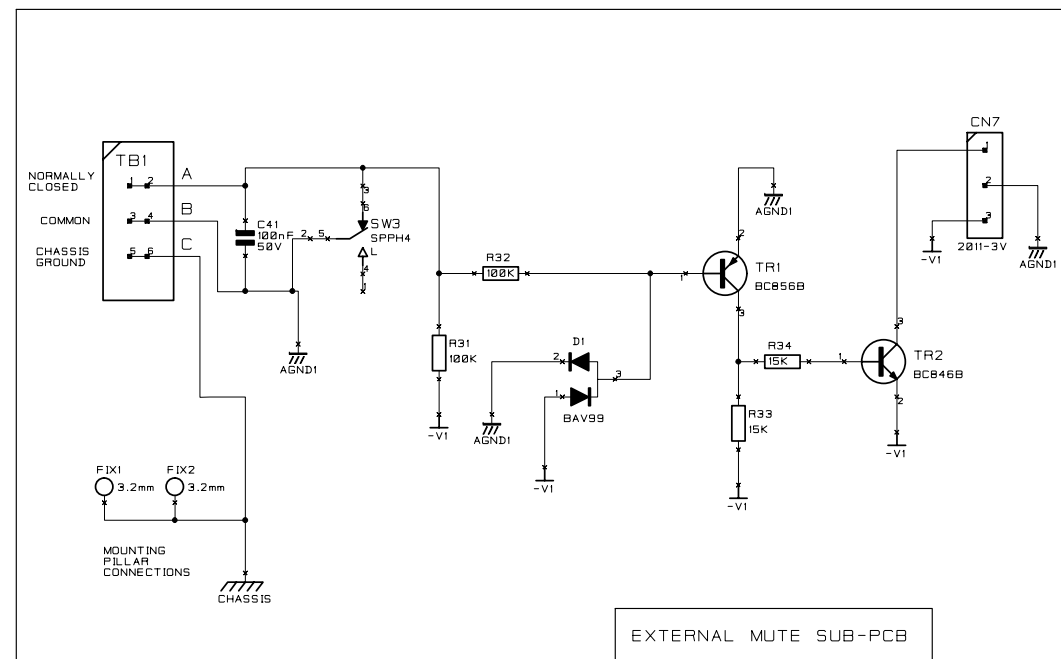
DRG NO.
E0306A-03A

POWER & OUTPUTS

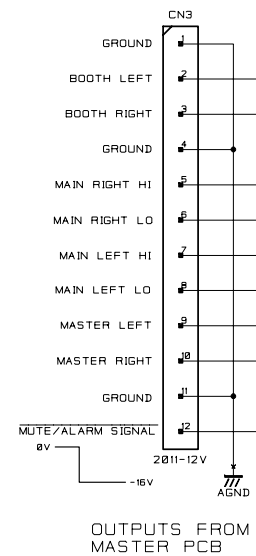


POWER FROM MASTER PCB

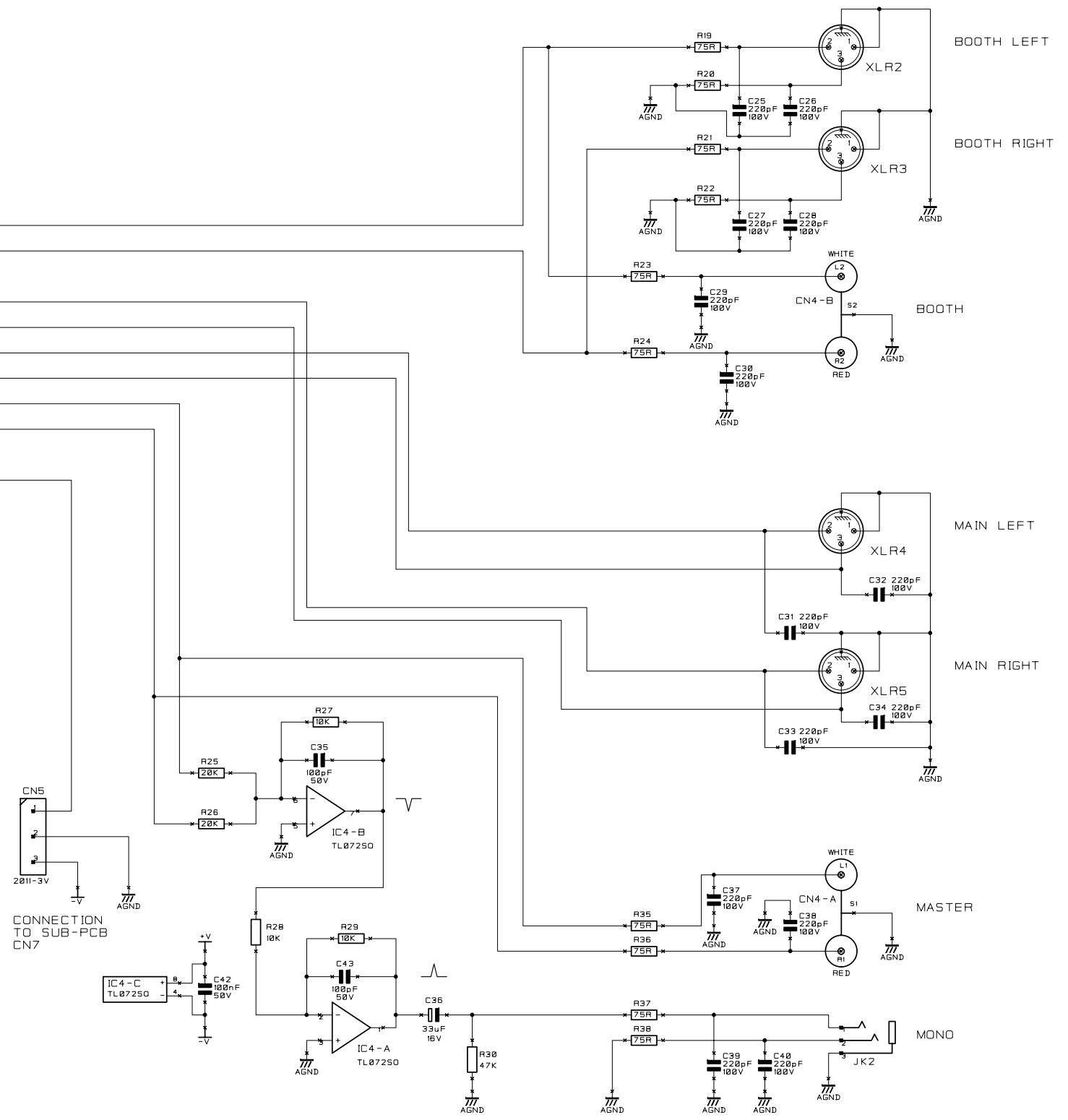
FOR EXTERNAL MUTE OPERATION:
DEPRESS SW3 (SHOWN IN NON-OPERATIONAL MODE)
APPLY A NORMALLY CLOSED CONNECTION
ACROSS TERMINALS A & B TO PASS AUDIO
BREAK/OPEN THIS CONNECTION TO MUTE CONSOLE



EXTERNAL MUTE SUB-PCB



OUTPUTS FROM MASTER PCB



CONNECTION TO SUB-PCB CN7

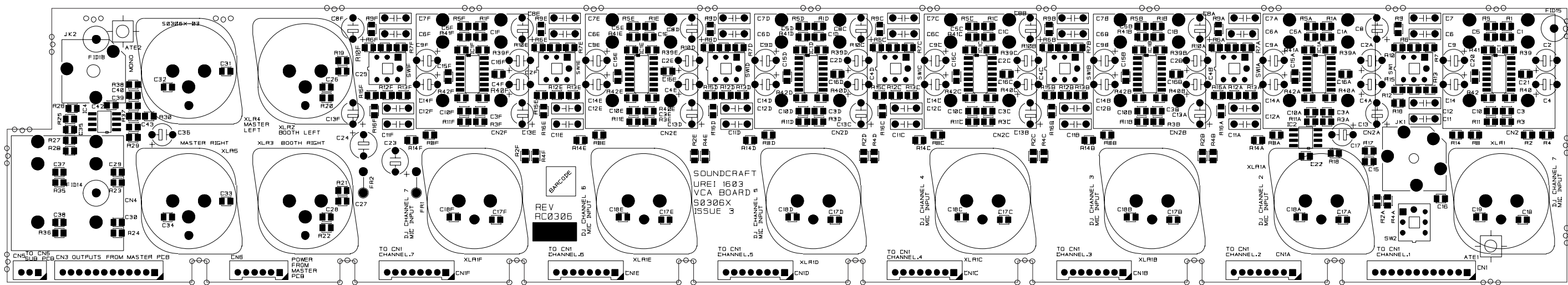
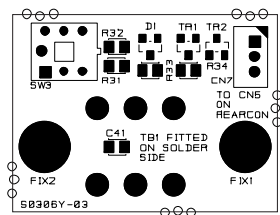
HARMAN INTERNATIONAL INDUSTRIES LTD. OWNS THE COPYRIGHT OF THIS DRAWING WHICH IS NOT TO BE COPIED, REPRODUCED OR DISCLOSED, IN PART OR WHOLE TO A THIRD PARTY WITHOUT PRIOR WRITTEN PERMISSION.

SOUNDCRAFT/BSS
HARMAN INT. INDUSTRIES LTD.
CRANBORNE HOUSE,
CRANBORNE ROAD,
POTTERS BAR,
HERTS. EN6 3JN.
TEL: 01707 665000
FAX: 01707 660482

NOTES:

DRN.	MSW	CN No.	INITIAL	DATE	ISSUE	TITLE
DATE	14-12-05		MSW	17-08-05	01A	PROJECT NAME URE1 1605 REARCON POWER & OUTPUTS
			MSW	04-11-05	02A	
			MSW	15-12-05	03A	
PROJECT CODE						DRG NO. E0306A-03A

SHT. 5 OF 5



URE1 1605 REARCON
S0306-03

DRAWING NUMBER ISSUE
E0355A-02A



HARMAN INTERNATIONAL
 INDUSTRIES LIMITED
 CRANBORNE HOUSE
 CRANBORNE ROAD
 POTTERS BAR
 HERTS
 EN6 3JN
 Tel 01707 660667
 Fax 01707 660755

TITLE: UREI 1603/5 PSU
 SHEET 1 OF 1 CIRCUIT DIAGRAM

FILENAME: E0355A-02A.SCH

DRAWN: CN

DATE: 23/12/04

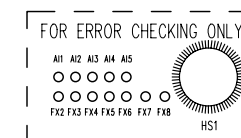
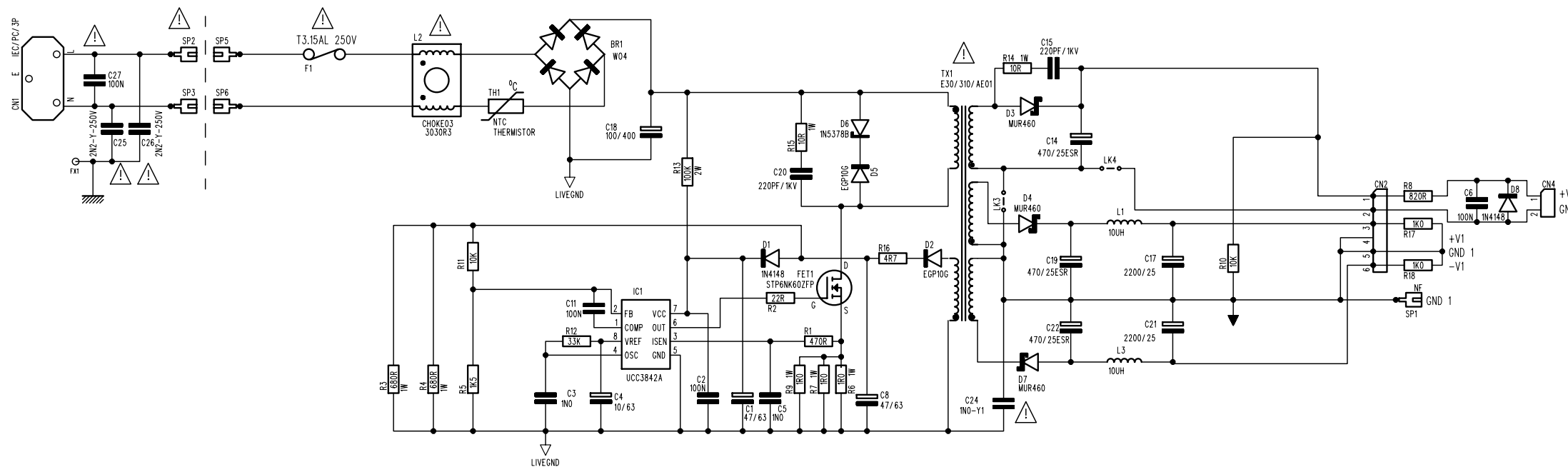
CHECKED:

MATERIAL:

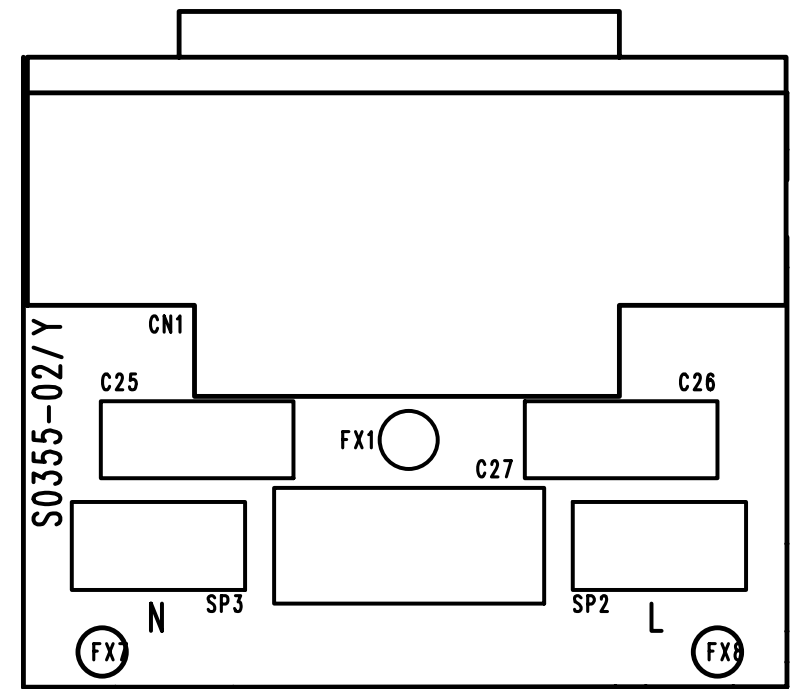
FINISH:

ISSUE COMMENTS:

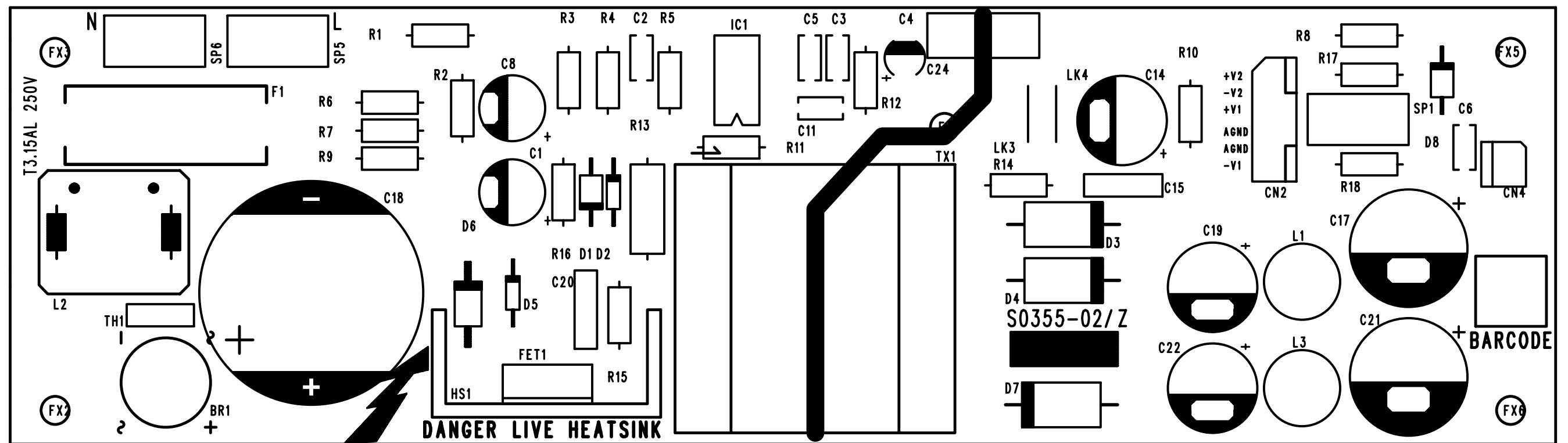
1. PROTOTYPE RELEASE 01/11/05
2. PRODUCTION RELEASE 23/02/06



THIS DRAWING IS THE COPYRIGHT OF HARMAN INTERNATIONAL INDUSTRIES Ltd.
 ALL REPRODUCTION AND COPYING THAN THAT FOR LICENCED MANUFACTURES
 OWN INTERNAL USE, OR DISCLOSURE OF PART OR WHOLE TO A THIRD PARTY
 WITHOUT PRIOR WRITTEN AUTHORISATION IS IN VIOLATION OF THE COPYRIGHT.



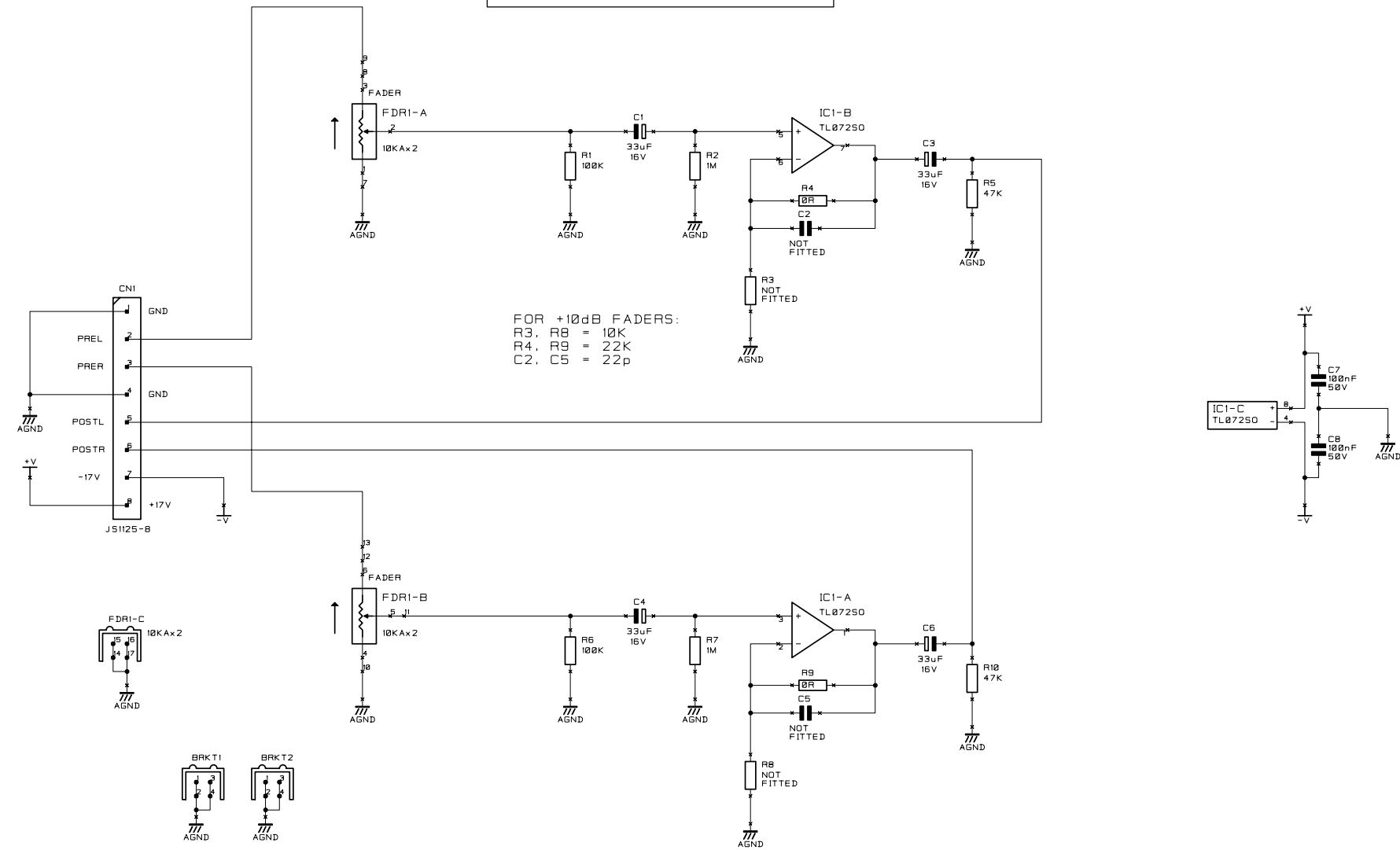
S0355-02/Y



S0355-02/Z

DRG NO.
E0357A-01A

NOTE:
FADER FITTED ON
SOLDER SIDE OF PCB



FOR +10dB FADERS:
R3, R8 = 10K
R4, R9 = 22K
C2, C5 = 22p

HARMAN INTERNATIONAL INDUSTRIES LTD. OWNS THE COPYRIGHT OF THIS DRAWING WHICH IS NOT TO BE COPIED, REPRODUCED OR DISCLOSED, IN PART OR WHOLE TO A THIRD PARTY WITHOUT PRIOR WRITTEN PERMISSION.

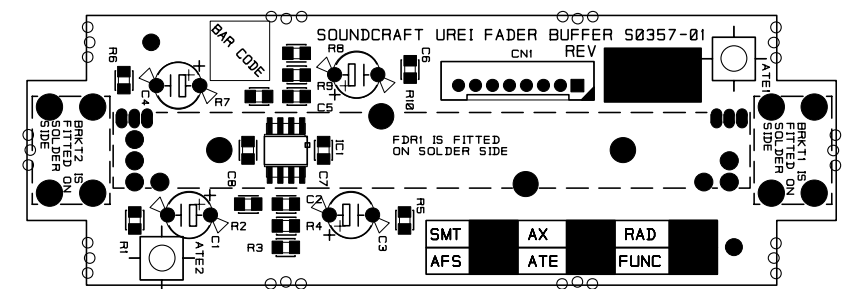
SOUNDCRAFT/BSS
HARMAN INT. INDUSTRIES LTD.
CRANBORNE HOUSE,
CRANBORNE ROAD,
POTTERS BAR,
HERTS. EN6 3JN.
TEL: 01707 665000
FAX: 01707 660482

NOTES: DUAL FOOTPRINT PCB
FIT EITHER ALPS OR
PANASONIC 60mm
10KA STEREO

DRN. MSW
DATE 01-12-05
PROJECT CODE

CN No.	INITIAL	DATE	ISSUE
PRE-PROD	MSW	01-12-05	01A

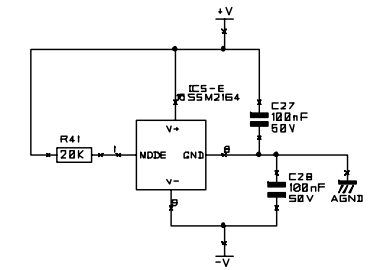
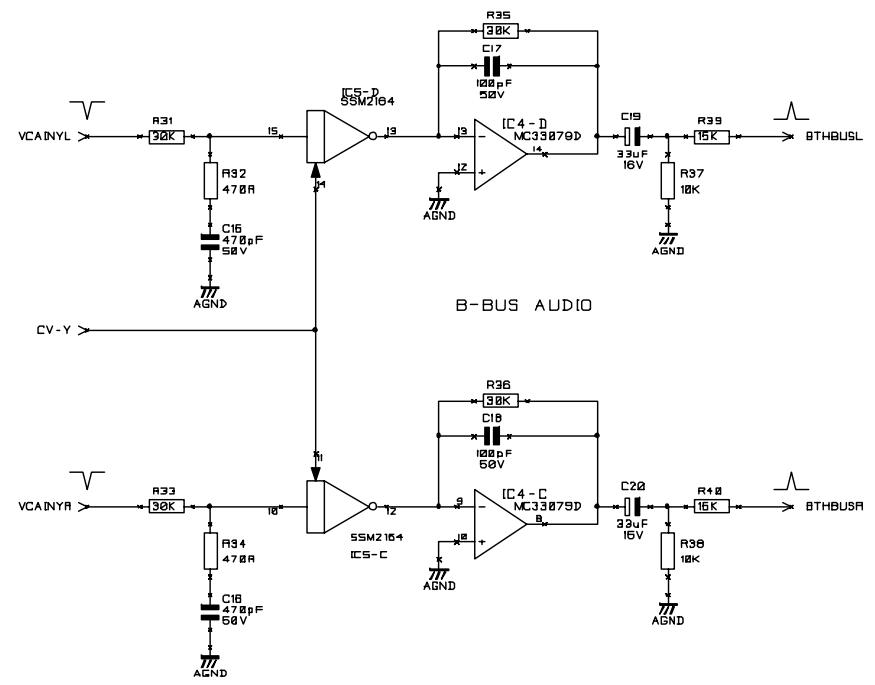
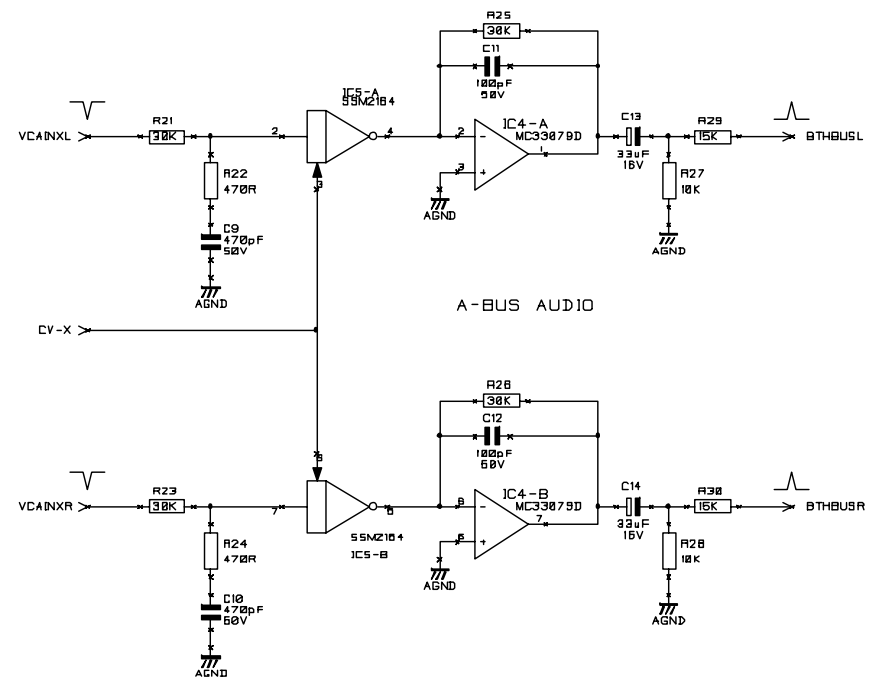
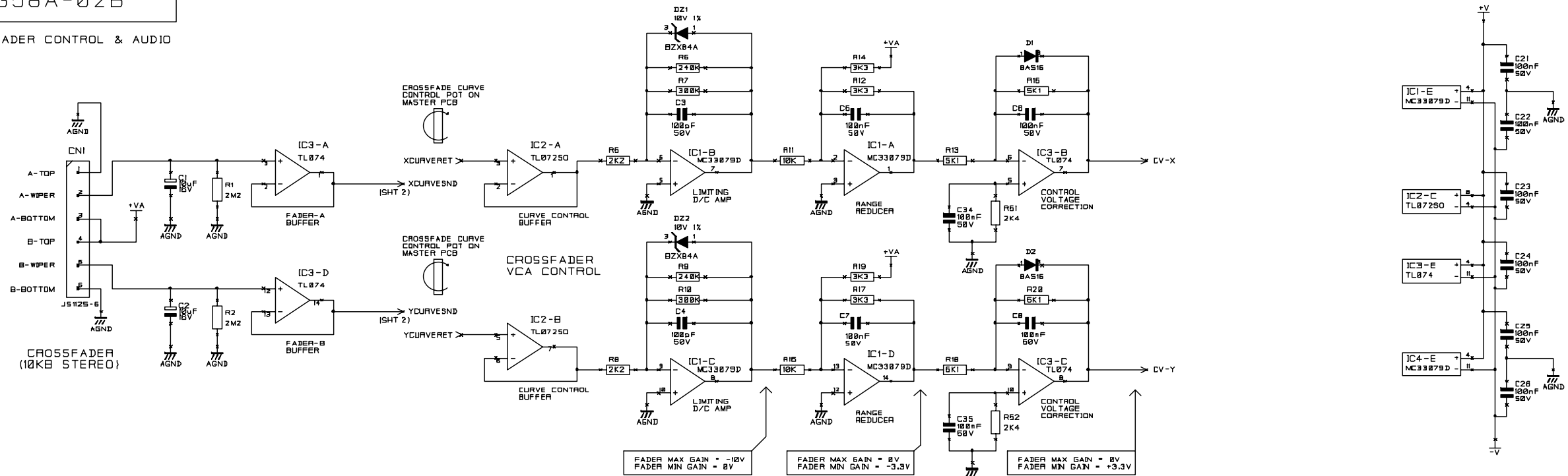
TITLE
PROJECT NAME
URE1 1603/1605
CHANNEL FADER PCB
DRG NO. E0357A-01A
SHT. 1 OF 1



FADER BUFFER
S0357-01

DRG NO
E0358A-02B

CROSSFADER CONTROL & AUDIO



HARMAN INTERNATIONAL INDUSTRIES LTD. OWNS THE COPYRIGHT OF THIS DRAWING WHICH IS NOT TO BE COPIED, REPRODUCED OR DISCLOSED, IN PART OR WHOLE TO A THIRD PARTY WITHOUT PRIOR WRITTEN PERMISSION.

SOUNDCRAFT/BSS
HARMAN INT INDUSTRIES LTD
CRANBORNE HOUSE,
CRANBORNE ROAD,
POTTERS BAR,
HERTS. EN6 3JN.
TEL: 01707 665000
FAX: 01707 660482

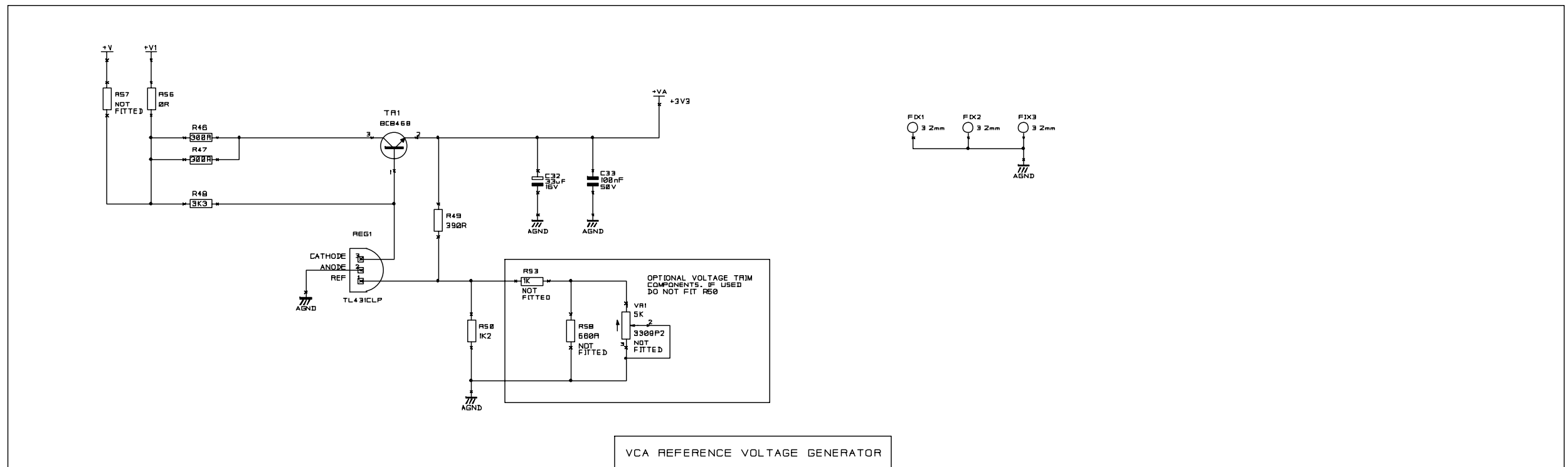
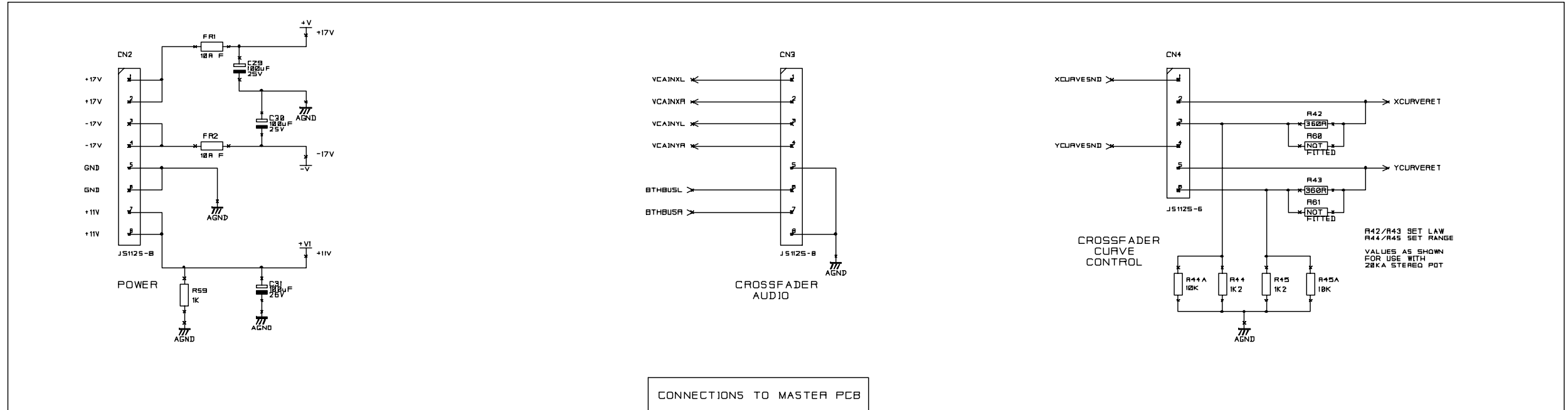
NOTES SSM2164 VCA 1/C REQUIRES +33mV/dB ATTENUATION

DRN.	MSW	CN No.	ECNH699	INITIAL	PST	DATE	11-04-06	ISSUE	02B	TITLE	PROJECT NAME
DATE	31-01-06										URE1 1603/1605 CROSSFADER PCB
PROJECT CODE										DRG NO	E0358A-02B

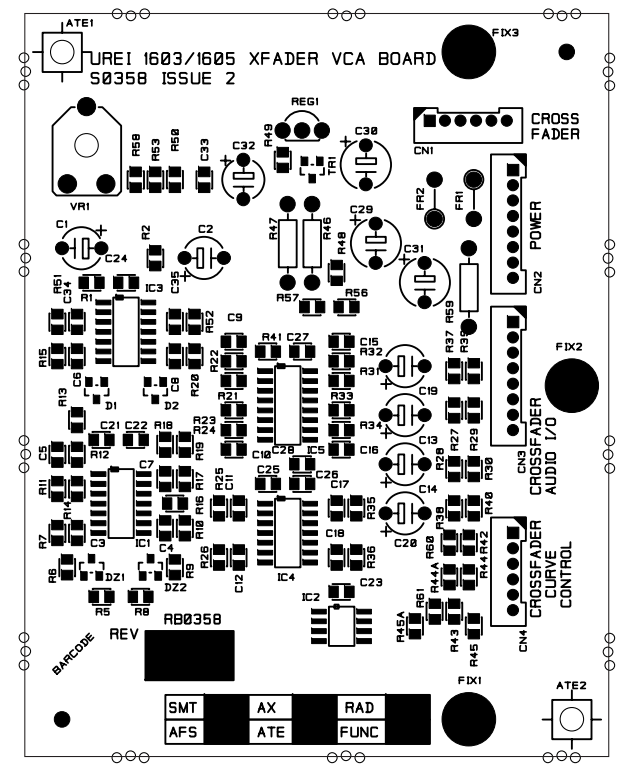
DRG NO
E0358A-02B

DRG NO
E0358A-02B

POWER & INTERCONNECT



HARMAN INTERNATIONAL INDUSTRIES LTD. OWNS THE COPYRIGHT OF THIS DRAWING WHICH IS NOT TO BE COPIED, REPRODUCED OR DISCLOSED, IN PART OR WHOLE TO A THIRD PARTY WITHOUT PRIOR WRITTEN PERMISSION.	SOUNDRAFT/BSS HARMAN INT INDUSTRIES LTD CRANBORNE HOUSE, CRANBORNE ROAD, POTTERS BAR, HERTS. EN6 3JN. TEL: 01707 665000 FAX: 01707 660482	NOTES	DRN. MSW	CN No. ECNH699	INITIAL PST	DATE 11-04-06	ISSUE 02B	TITLE PROJECT NAME		
			DATE 31-01-06							
			PROJECT CODE							DRG NO E0358A-02B



XFADER VCA PCB
S0358-02