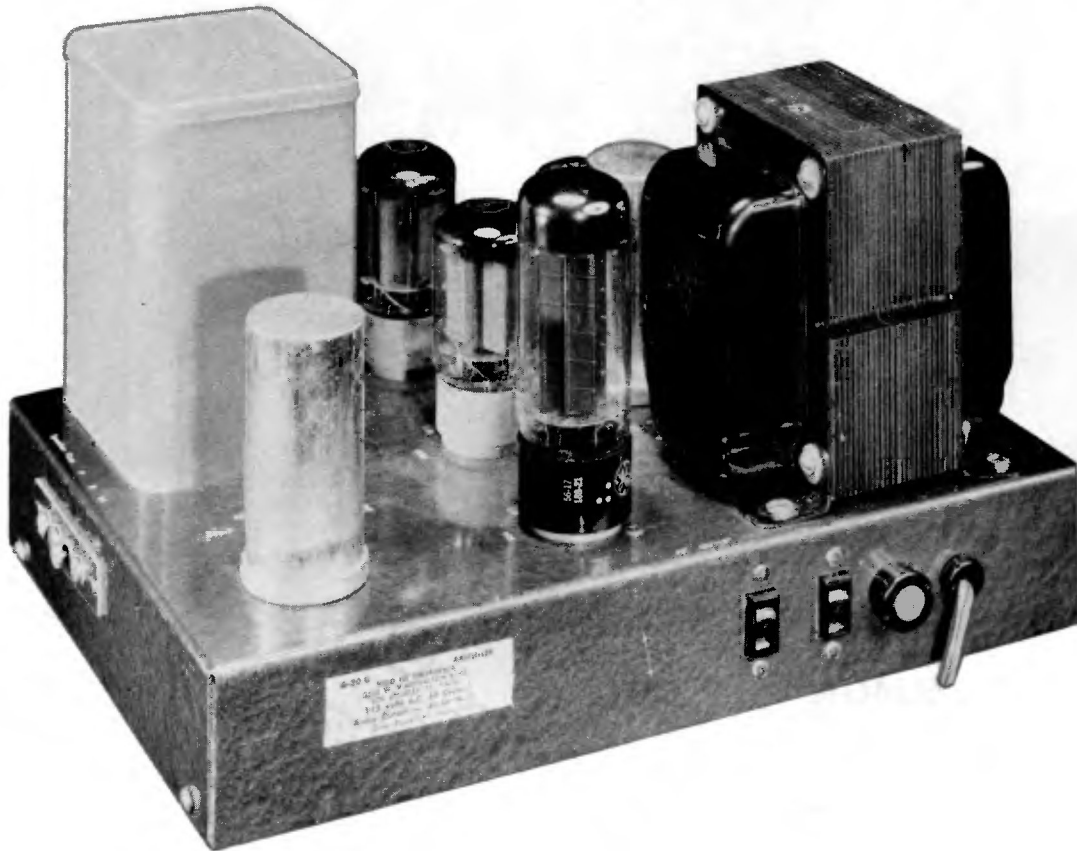




BIGG OF CALIF.
MODEL "George Gott" G 30 U



BIGG OF CALIF.
MODEL "George Gott" G 30 U

TRADE NAME	Bigg of Calif. Model "George Gott" G 30U	
MANUFACTURER	Bigg of Calif. , 2506 W. Washington Blvd. , Los Angeles 18, Calif.	
TYPE SET	AC Operated Amplifier	
TUBES (Five)	Types 6SN7GT AF Amp. -Phase Inv. , 6SN7GT Driver , (2) 5881 Output, 5U4GA Rectifier	
POWER SUPPLY	110-120 Volts AC-60 Cycles	RATING 1.23 Amp. @ 117 Volts AC

HOWARD W. SAMS & CO., INC. • Indianapolis 5, Indiana

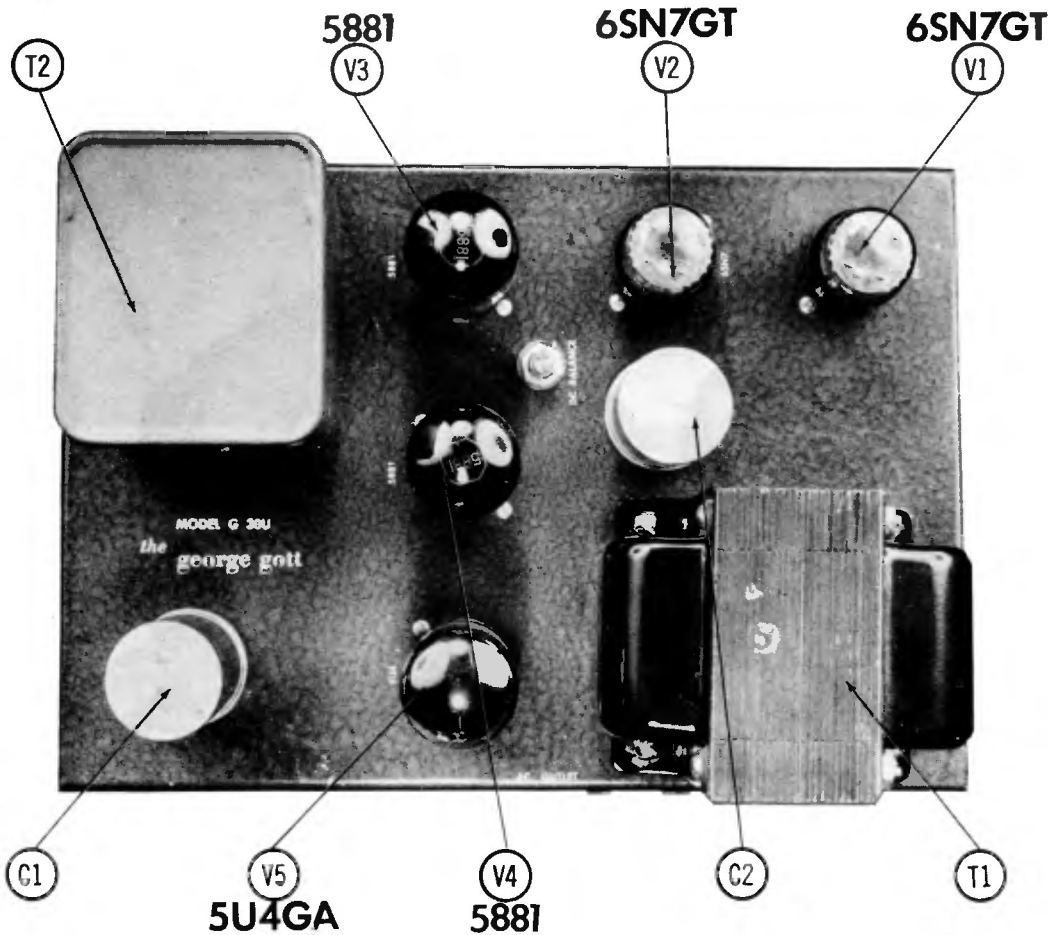
"The listing of any available replacement part herein does not constitute in any case a recommendation, warranty or guaranty by Howard W. Sams & Co., Inc., as to the quality and suitability of such replacement part. The numbers of these parts have been compiled from information furnished to Howard W. Sams & Co., Inc., by the manufacturers of the particular type of replacement part listed."
"Reproduction or use, without express permission, of editorial or pictorial content, in any manner, is prohibited. No patent liability is assumed with respect to the use of the information contained herein. Copyright 1957 by Howard W. Sams & Co., Inc., Indianapolis 5, Indiana, U. S. of America. Copyright under international Copyright Union. All rights reserved under Inter-American Copyright Union (1910) by Howard W. Sams & Co., Inc." Printed in U. S. of America

tent, in any manner, is prohibited. No patent liability is assumed with respect to the use of the information contained herein. Copyright 1957 by Howard W. Sams & Co., Inc., Indianapolis 5, Indiana, U. S. of America. Copyright under international Copyright Union. All rights reserved under Inter-American Copyright Union (1910) by Howard W. Sams & Co., Inc." Printed in U. S. of America

PARTS LIST AND DESCRIPTIONS TUBES (GENERAL ELECTRIC, SYLVANIA)

BIGG OF CALIF.
MODEL "George Gott" G 30U

CHASSIS—TOP VIEW



ITEM No.	USE	TYPE	NOTES	ITEM No.	USE	TYPE	NOTES
V1	A.F. Amp.-Phase Inv.	6SN7GT		V4	Output Driver	5881	
V2	Driver	6SN7GT		V5	Rectifier	5U4GA	
V3	Output	5881					

ELECTROLYTIC CAPACITORS

ITEM No.	RATING CAP.	VOLT.	REPLACEMENT DATA					SPRAGUE PART No.	
			Bigg of Calif. PART No.	AEROVOX PART No.	CORNELL DUBILIER PART No.	MALLORY PART No.	PYRAMID PART No.		SANGAMO PART No.
C1A	.30	450				FP237	TD-150-150	Q-045	MT-15100
C1B	.50	450				TC405	TD-150-150	Q-045	MT-15100
C1C	.125	100				FP237	TD-150-150	Q-045	MT-15100
C2A	.30	450				FP237	TD-150-150	Q-045	MT-15100
C2B	.30	450				TC405	TD-150-150	Q-045	MT-15100
C2C	.125	100							

Note 1. C2C Is not used.

FIXED CAPACITORS

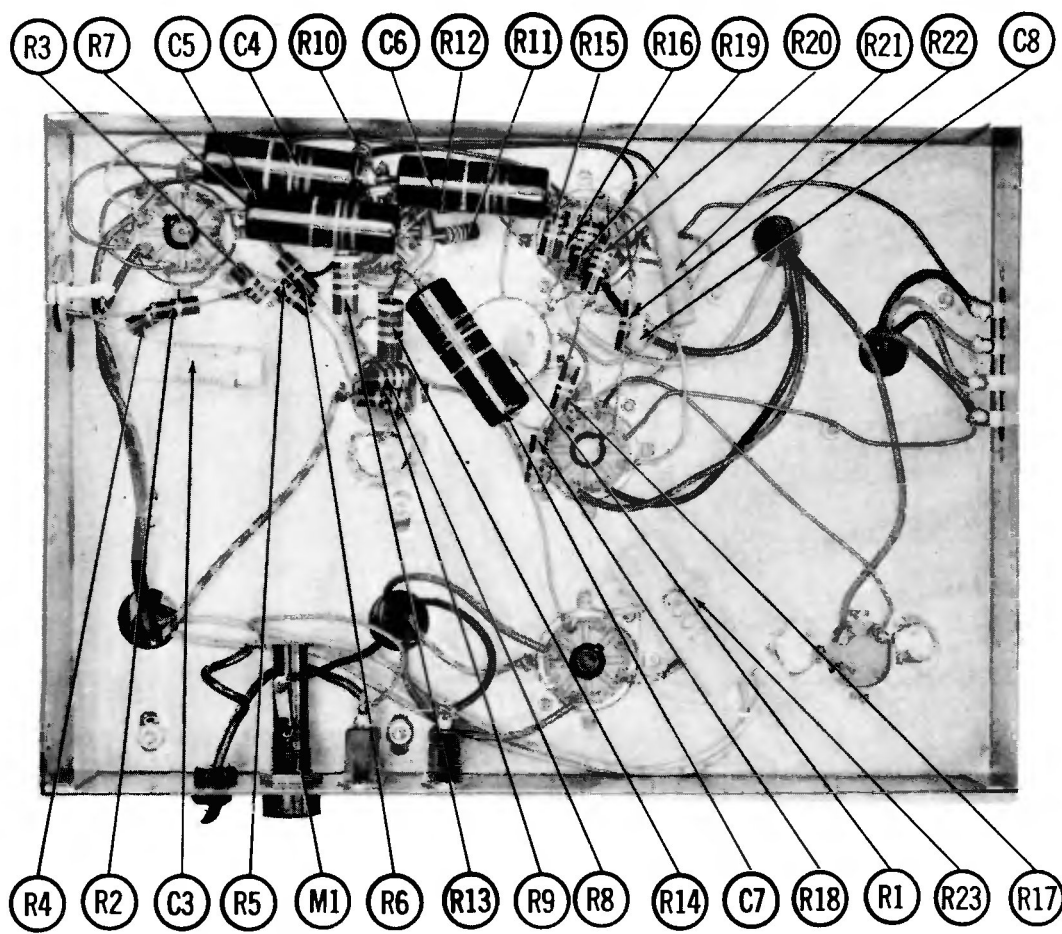
Capacity values given in the rating column are in mfd. for Paper Capacitors, and in mmfd. for Mica and Ceramic Capacitors.

ITEM No.	RATING CAP.	VOLT.	REPLACEMENT DATA							NOTES
			Bigg of Calif. PART No.	AEROVOX PART No.	CENTRALAB PART No.	CORNELL DUBILIER PART No.	ERE PART No.	MALLORY PART No.	SPRAGUE PART No.	
C3	.1	400		P488N-1	DF-104		CUB4P1	PT401	4TM-P1	
C4	.22	400		P488N-22			CUB4P22	PT4022	4TM-P22	
C5	.22	400		P488N-22			CUB4P22	PT4022	4TM-P22	
C6	.22	400		P488N-22			CUB4P22	PT4022	4TM-P22	
C7	.22	400		P488N-22			CUB4P22	PT4022	4TM-P22	
C8	.100			SH100	D6-101		TP34	UC-531	5GA-T1	

CONTROLS

ITEM No.	RATING RESIST. ANCE	WATTS	REPLACEMENT DATA				INSTALLATION NOTES	
			Bigg of Calif. PART No.	CENTRALAB PART No.	CLAROSTAT PART No.	IRC PART No.		MALLORY PART No.
R1A	30000	2	CM10674	YK133	443-3000	WPS3000	R3000L	DC Balance (Wire-wound)
R1B	Shaft		Not Req.	Not Req.	PKS-1/2	Not Req.	Not Req.	Attach to R1A

CHASSIS—BOTTOM VIEW



PARTS LIST AND DESCRIPTIONS (Continued)
RESISTORS

ITEM No.	RATING		REPLACEMENT DATA		ITEM No.	RATING		REPLACEMENT DATA		NOTES
	OHMS	WATT	Bigg of Calif. PART No.	IRC PART No.		OHMS	WATT	Bigg of Calif. PART No.	IRC PART No.	
R2	1M66g	1		BTA-1M66g	R13	47K	2		BTB-47K	
R3	47K	1		BTA-47K	R14	47K	2		BTB-47K	
R4	470Ω	1		BTA-470	R15	1800Ω	1		BTA-1800	
R5	47K	1		BTA-47K	R16	100K	1		BTA-100K	
R6	22K	1		BTA-22K	R17	100K	1		BTA-100K	
R7	22K	1		BTA-22K	R18	1800Ω	1		BTA-1800	
R8	39K	1		BTA-39K	R19	39K	1		BTA-39K	
R9	39K	1		BTA-39K	R20	39K	1		BTA-39K	
R10	390K	1		BTA-390K	R21	350Ω	10		1 3/4A-350	
R11	390K	1		BTA-390K	R22	10K	1		BTA-10K	
R12	560Ω	1		BTA-560	R23	1000Ω	5		PW7-1000	

TRANSFORMER (POWER)

ITEM No.	RATING			REPLACEMENT DATA				
	PRI.	SEC. 1	SEC. 2	Bigg of Calif. PART No.	Merit PART No.	Shanco PART No.	Thorndson PART No.	Triad PART No.
T1	117VAC @1.23A	800VCT @.142A	5VAC @ 3A	T54486	P-3155	PC-8412	22R83	R-18A

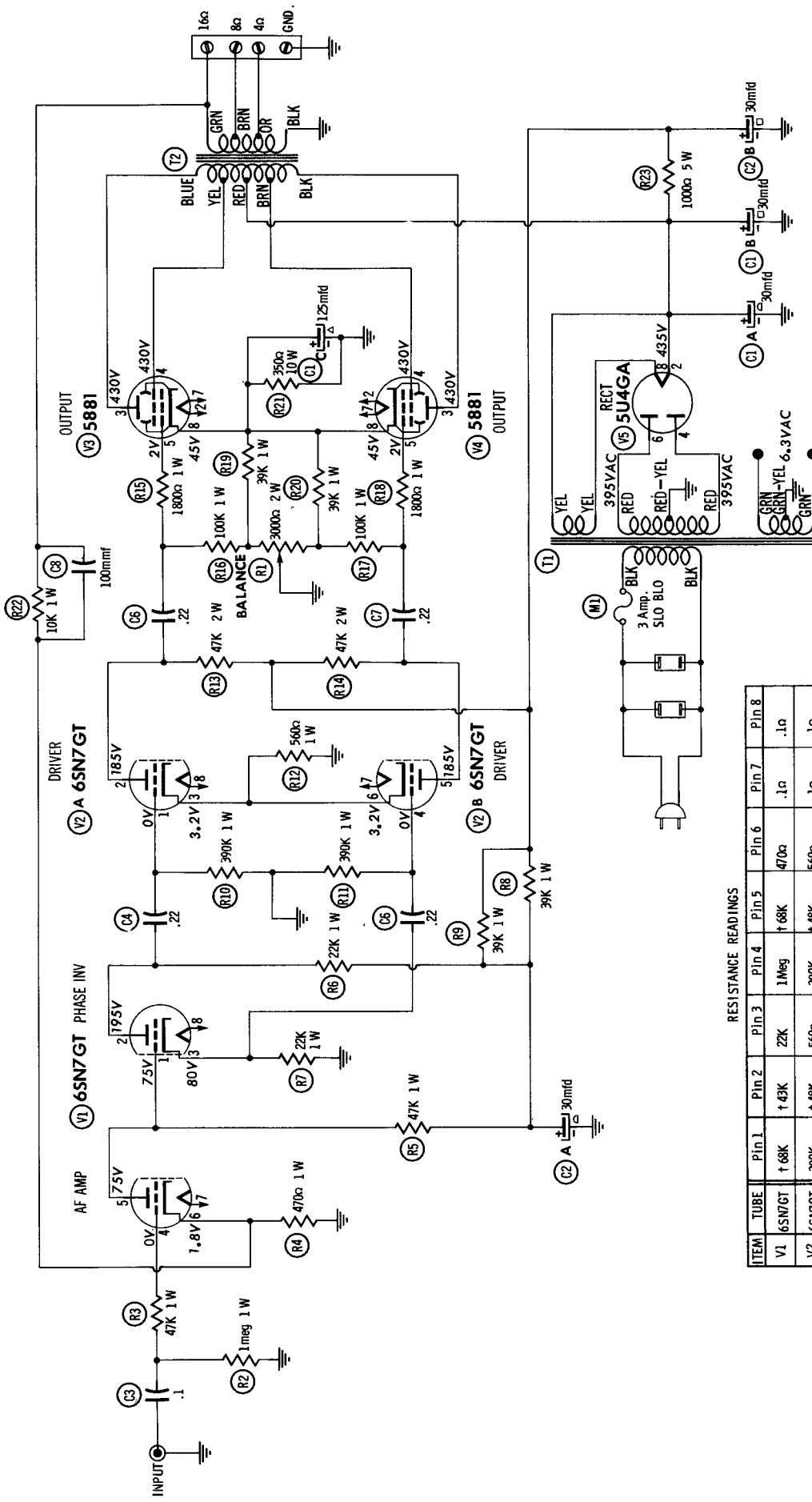
① Drill new mounting holes.

TRANSFORMER (AUDIO OUTPUT)

ITEM No.	IMPEDANCE		REPLACEMENT DATA				NOTES
	PRI.	SEC.	Bigg of Calif. PART No.	Merit PART No.	Thorndson PART No.	Triad PART No.	
T2	6000Ω	16Ω tap @ 8Ω, 4Ω	T54487	A-8072		HSM-186	① Drill new mounting holes.

FUSES

ITEM No.	TYPE	RATING	REPLACEMENT DATA				
			Bigg of Calif. PART No.	HOLDER	FUSE	BUSS PART No.	
M1	2AG S/B				313003 (3AG S/B 3A)	MDX 3	HKIP



1. DC voltage measurements taken with vacuum tube voltmeter;
2. DC voltages measured at 1000 ohms per volt.
3. Socket connections are shown as bottom views.
4. Measured values are shown in parentheses to indicate negative variation from nominal values for voltage resistors.
5. Nominal tolerance on component values makes possible a variation of $\pm 1\%$ in voltage and resistance readings.
6. All controls at minimum, proper output load connected.

RESISTANCE READINGS

ITEM	TUBE	Pin 1	Pin 2	Pin 3	Pin 4	Pin 5	Pin 6	Pin 7	Pin 8
V1	6SN7GT	† 68K	† 43K	22K	1Meg	† 68K	470Ω	.1Ω	.1Ω
V2	6SN7GT	390K	† 48K	560Ω	390K	† 48K	560Ω	.1Ω	.1Ω
V3	5881	TP	.1Ω	† 90Ω	† 42Ω	102K	TP	.1Ω	350Ω
V4	5881	TP	.1Ω	† 90Ω	† 40Ω	102K	TP	.1Ω	350Ω
V5	5U4GA	NC	36K	NC	45Ω	NC	42Ω	TP	36K

† MEASURED FROM PIN 2 OF V5.
 NC NO CONNECTION.
 TP TIE POINT