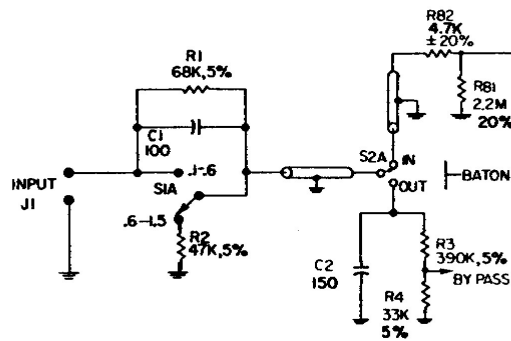


3.3 Schematic:

- Notes
- All resistors in ohms, K=1,000, M=1,000,000.
 - All capacitors in MMF except electrolytics (MFD) K=1,000.
 - All resistors and capacitors are 10% unless otherwise specified.
 - All paper capacitors 400 WVDC unless otherwise specified.
 - All disc capacitors 500 WVDC " " "
 - All resistors are 1/2 watt
 - All capacitors are ceramic unless otherwise specified by the following symbols,
P= Paper
+ = Electrolytic
 - Capacitors with GMV notation indicates mfr. RMC and has a guarantee minimum value.
 - LP 1,2,3, are Tung-Sol No. 12 or equiv. baseless lamp.
 - C3 and 4, 5, 6, 7, 8, 9, 10, are double section capacitors
 - Curved plate of capacitor symbol indicates outside foil on paper capacitors.



CONTROLS	
FUNCTIONAL DESIGNATION	DESCRIPTION
S1	2 POSITION POWER AMPLIFIER SENSITIVITY SWITCH
S2	BY PASSING SWITCH
S3	POWER SWITCH
S4	3 POSITION LIGHT LEVEL SWITCH
R48	NETWORK CONTROL POT 80CPS
R49	" " " 160CPS
R50	" " " 320CPS
R51	" " " 640CPS
R52	" " " 1280CPS
R53	" " " 2560CPS
R54	" " " 5120CPS
R55	NETWORK CONTROL TREBLE BOOST POT
R56	10,240CPS
R56	NETWORK CONTROL BASS BOOST POT
R66	VOLUME CONTROL POT
R71	HUM BALANCING POT

