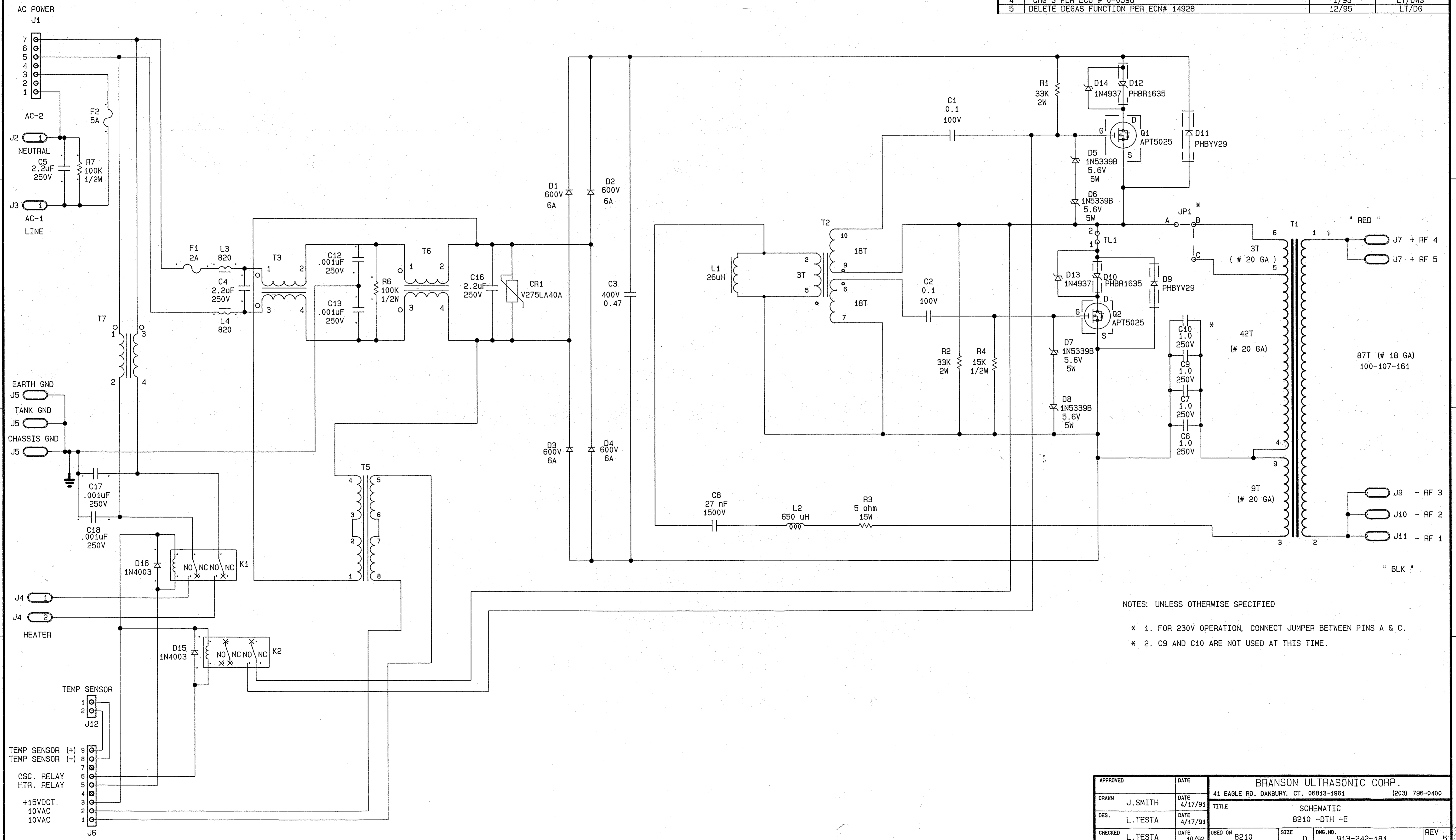


REVISIONS			
REV	DESCRIPTION	DATE	APPROVED
1	UPDATED FOR RFI AND VDE CHG'S	6/92	LT/JWS
2	UPDATED FOR RFI	9/92	LT/JWS
3	ADDED NOTES, CHG C12, 13, 17, 18 TO .001uF	10/92	LT/JWS
4	CHG'S PER ECO # 0-0598	1/93	LT/JWS
5	DELETE DEGAS FUNCTION PER ECN# 14928	12/95	LT/DG



NOTES: UNLESS OTHERWISE SPECIFIED

- \* 1. FOR 230V OPERATION, CONNECT JUMPER BETWEEN PINS A & C.
- \* 2. C9 AND C10 ARE NOT USED AT THIS TIME.

TEMP SENSOR (+)  
TEMP SENSOR (-)  
OSC. RELAY  
HTR. RELAY  
+15VDC  
10VAC  
10VAC

APPROVED		DATE		BRANSON ULTRASONIC CORP.			
DRAWN J. SMITH		DATE 4/17/91		41 EAGLE RD. DANBURY, CT. 06813-1961 (203) 796-0400			
DES. L. TESTA		DATE 4/17/91		TITLE SCHEMATIC			
CHECKED L. TESTA		DATE 10/92		USED ON 8210		SIZE D	DWG. NO. 913-242-181
PRJ. ENG		DATE		SCALE NONE		REV 5 SHEET 1 OF 1	