

**BROCINER MODEL
 Mark 30A**

TRADE NAME	Brociner Model Mark 30A	
MANUFACTURER	Brociner Electronics Corp., 344 E. 32nd. St., New York 16, N. Y.	
TYPE SET	AC Operated Audio Amplifier	
TUBES (Five)	Types 12AX7 AF Amp. -Phase Inv., 12AX7 Driver, (2) 5881 Output, 5V4GA Rectifier	
POWER SUPPLY	105-125 Volts AC-60 Cycles	RATING 1.1 Amp. @ 117 Volts AC

HOWARD W. SAMS & CO., INC. • Indianapolis 5, Indiana

"The listing of any available replacement part herein does not constitute in any case a recommendation, warranty or guaranty by Howard W. Sams & Co., Inc., as to the quality and suitability of such replacement part. The numbers of these parts have been compiled from information furnished to Howard W. Sams & Co., Inc., by the manufacturers of the particular type of replacement part listed."
 "Reproduction or use, without express permission, of editorial or pictorial con-

tent, in any manner, is prohibited. No potent liability is assumed with respect to the use of the information contained herein. Copyright 1957 by Howard W. Sams & Co., Inc., Indianapolis 5, Indiana, U. S. of America. Copyright under international Copyright Union. All rights reserved under Inter-American Copyright Union (1910) by Howard W. Sams & Co., Inc." Printed in U. S. of America

PARTS LIST AND DESCRIPTIONS TUBES (GENERAL ELECTRIC, SYLVANIA)

ITEM No.	USE	TYPE	NOTES	ITEM No.	USE	TYPE	NOTES
V1	AF Amp. -Phase Inv.	12AX7		V4	Output	5881	
V2	Driver	12AX7		V5	Rectifier	5V4GA	
V3	Output	5881					

ELECTROLYTIC CAPACITORS

ITEM No.	RATING		REPLACEMENT DATA							
	CAP.	VOLT.	BROCCINER PART No.	AEROVOX PART No.	CORNELL-DUBILIER PART No.	MALLORY PART No.	PYRAMID PART No.	SANGAMO PART No.	SPRAGUE PART No.	
C1	8	600		PRS600V8	BRHV608	TC92	TD-8-600		TV-A-1062	
C2	8	600		PRS600V8	BRHV608	TC92	TD-8-600		TV-A-1062	
C3	16	500		PRS00V16	BR1650	TC83	TD-16-600		TV-A-1005	
C4	16	500		PRS00V16	BR1650	TC83	TD-16-600		TV-A-1005	
C5	100	50		PRS50V100	BR1005	TC9501	TD-100-50	MTH-5010	TV-A-1310	

FIXED CAPACITORS

Capacity values given in the rating column are in mfd. for Paper Capacitors, and in mmfd. for Mica and Ceramic Capacitors.

ITEM No.	RATING		REPLACEMENT DATA								NOTES
	CAP.	VOLT.	BROCCINER PART No.	AEROVOX PART No.	CORNELL-DUBILIER PART No.	CENTRALAB PART No.	ERIE PART No.	MALLORY PART No.	SPRAGUE PART No.		
C6	.02	400		BPD-02	CUB492	DD-203	ED-02	GEM-412	4TM-92		
C7	120	500		NPO-SIT20	D8-121	585T12	ED-120	GEM-312	M6-312		
C8	220	500		NPO-SIT220	D8-221	585T22	ED-220	GEM-322	M6-322		
C9	.1	600		P688N-1	CUB3P1	DF-104	CUBM-P1	GEM-601	6TM-P1	Note 1	
C10	.1	600		P688N-1	CUB3P1	DF-104	CUBM-P1	GEM-601	6TM-P1		
C11	.1	600		P688N-1	CUB3P1	DF-104	CUBM-P1	GEM-601	6TM-P1		
C12	.1	600		P688N-1	CUB3P1	DF-104	CUBM-P1	GEM-601	6TM-P1		
C13	.1	400		P488N-1	CUB3P1	DF-104	CUBM-P1	GEM-601	4TM-P1		

Note 1. Some versions may use 100MMF in this application.

RESISTORS

All wattages 1/2 watt, or less, unless otherwise listed.

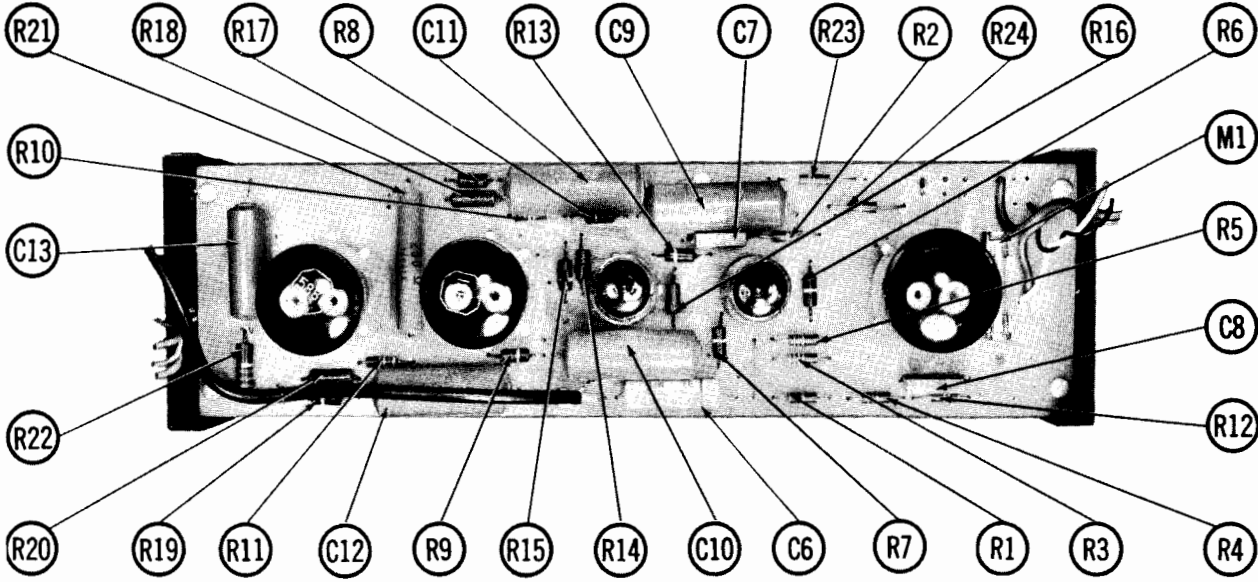
ITEM No.	RATING		REPLACEMENT DATA		NOTES
	OHMS	WATT	BROCCINER PART No.	IRC PART No.	
R1	1Meg			BTS-1Meg	
R2	15K			BTS-15K	
R3	330K			BTS-330K	
R4	500K			BTS-500	
R5	500K			BTS-500	
R6	500K			BTS-500	Note 1
R7	100K			BTS-100K	Note 1
R8	27K			BTS-27K	Note 2
R9	27K			BTS-27K	Note 2
R10	470K			BTS-470K	Note 3
R11	470K			BTS-470K	Note 3
R12	15K			BTS-15K	

Note 1. R6 and R7 are matched resistors.

Note 2. R8 and R9 are matched resistors.

Note 3. R10 and R11 are matched resistors.

CHASSIS—TOP VIEW



PARTS LIST AND DESCRIPTIONS (Continued)

TRANSFORMER (POWER)

ITEM No.	RATING			REPLACEMENT DATA					
	PRI.	SEC. 1	SEC. 2	BROCCINER PART No.	Halderson PART No.	Merit PART No.	Stancoor PART No.	Thordorson PART No.	Triad PART No.
T1	117VAC @1.1A	780VCT @ 2A	5VAC @ 2A 6.3VCT @ 2.5A	1127					

TRANSFORMER (AUDIO OUTPUT)

ITEM No.	IMPEDANCE		REPLACEMENT DATA				NOTES	
	PRI.	SEC.	BROCCINER PART No.	Halderson PART No.	Merit PART No.	Stancoor PART No.		Thordorson PART No.
T2	6700Ω @ 80,441	180	1129	H4103				S-142A(1) Drill new mounting hole.

FILTER CHOKE

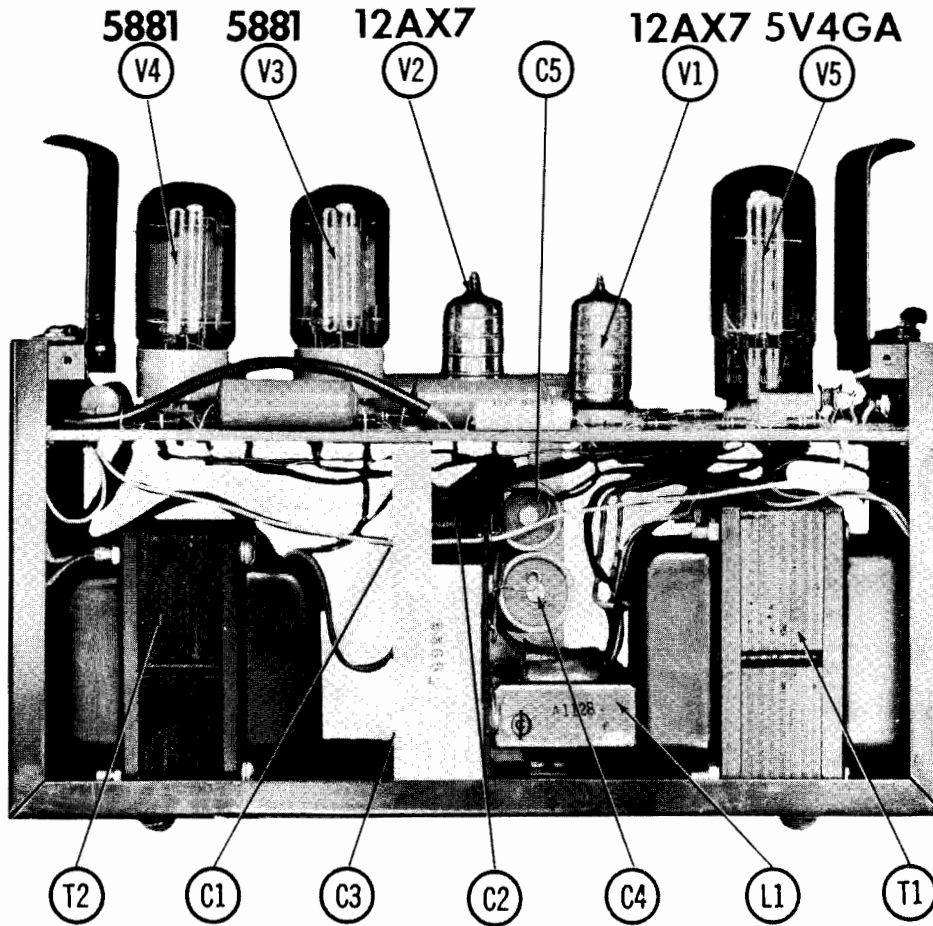
ITEM No.	RATINGS		REPLACEMENT DATA					
	TOTAL DIRECT CURRENT	D. C. RESISTANCE	BROCCINER PART No.	Halderson PART No.	Merit PART No.	Stancoor PART No.	Thordorson PART No.	Triad PART No.
L1	.137A	100Ω	1128					

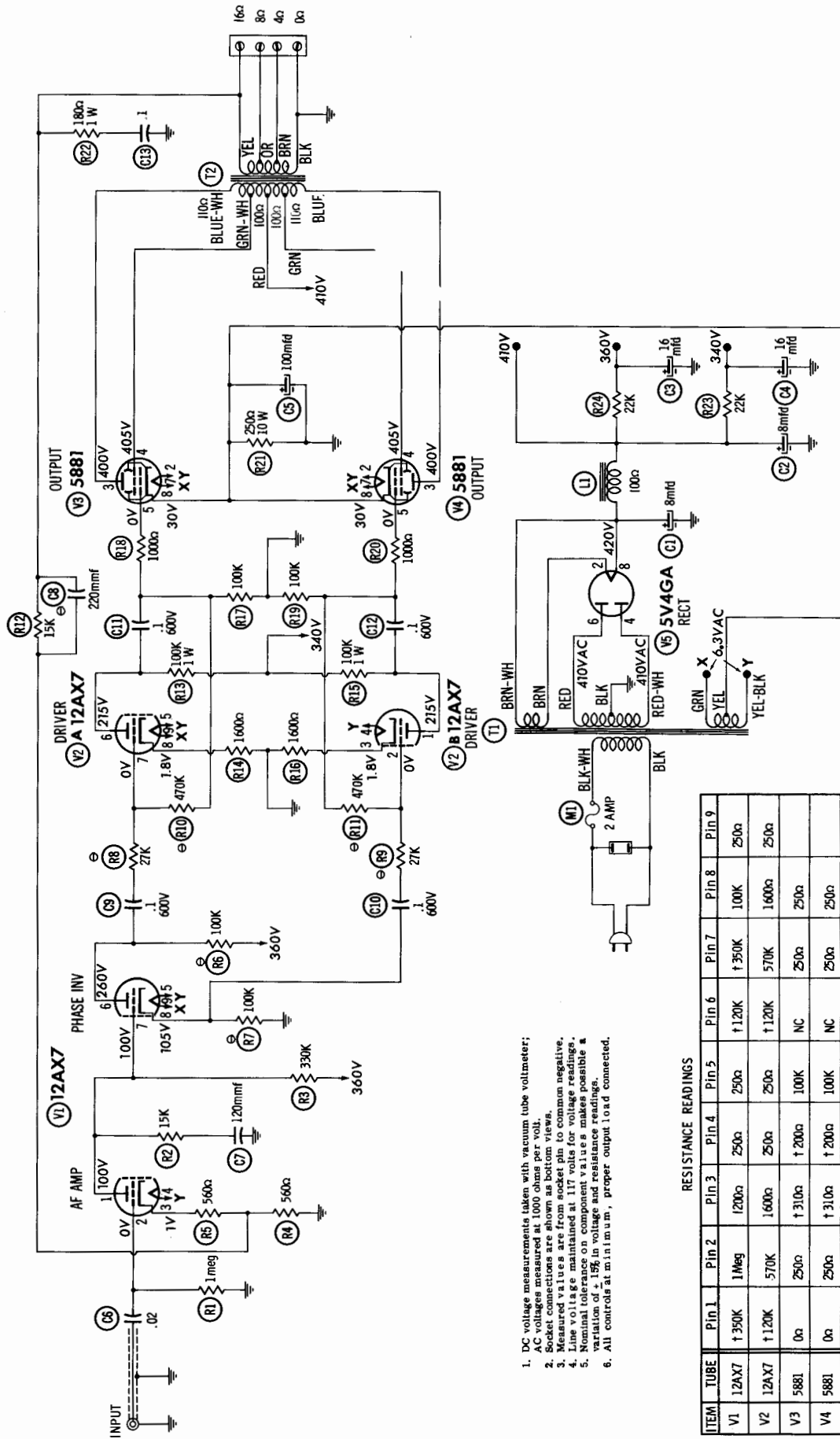
FUSES

ITEM No.	TYPE	RATING	REPLACEMENT DATA				
			BROCCINER PART No.	LITTELFUSE PART No.	FUSE HOLDER	FUSE HOLDER	BUSS PART No.
M1	3AG	2A 250V	312002. (3AG 2A)	101001.	101001.	AGC 2	4548 *

* Two required.

CHASSIS - BOTTOM VIEW





1. DC voltage measurements taken with vacuum tube voltmeter;
2. AC voltages measured at 1000 ohms per volt.
3. Socket connections are shown as bottom views.
4. Measured values are from socket pin to common negative.
5. Line voltage maintained at 117 volts for voltage readings.
6. Nominal tolerance on component values as made possible & variation of $\pm 1\%$ in voltage and resistance tolerance.
7. All controls at minimum, proper output load connected.

RESISTANCE READINGS

ITEM	TUBE	Pin 1	Pin 2	Pin 3	Pin 4	Pin 5	Pin 6	Pin 7	Pin 8	Pin 9
V1	12AX7	† 350K	† 120K	1200 Ω	250 Ω	† 250 Ω	† 120K	† 350K	100K	250 Ω
V2	12AX7	† 120K	570K	1600 Ω	250 Ω	† 250 Ω	† 120K	570K	1600 Ω	250 Ω
V3	5881	0 Ω	250 Ω	† 310 Ω	† 200 Ω	100K	NC	250 Ω	250 Ω	
V4	5881	0 Ω	250 Ω	† 310 Ω	† 200 Ω	100K	NC	250 Ω	250 Ω	
V5	5V4GA	NC	100K	NC	70 Ω	NC	70 Ω	100K	100K	

† MEASURED FROM PIN 8 OF V5.
NC NO CONNECTION.

⊗ SEE PARTS LIST FOR ALTERNATE VALUE OR APPLICATION

DC COIL RESISTANCE VALUES UNDER ONE OHM NOT SHOWN ON SCHEMATIC DIAGRAM.

A PHOTOFAC STANDARD NOTATION SCHEMATIC
© Howard W. Sams & Co., Inc. 1957