

REVISIONS G (01/06/05)

DRAWN SA

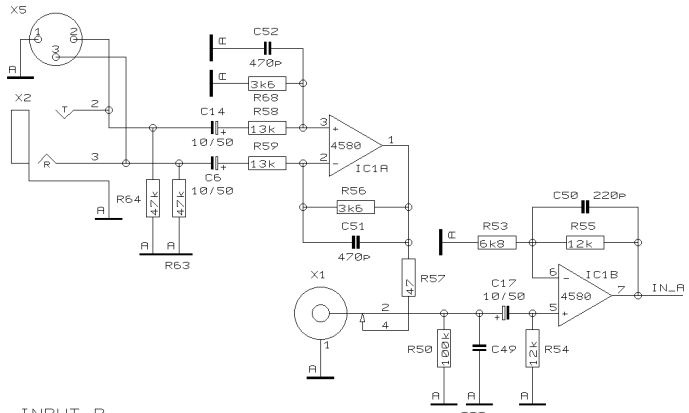
CHECKED

DATE 19.10. 5  
9:40

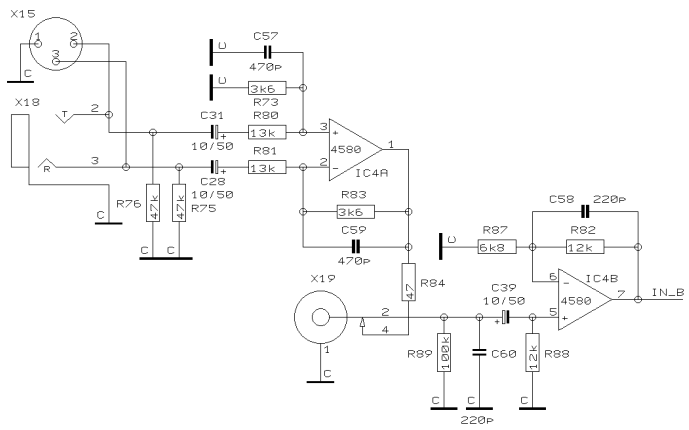


PROJECT  
A500  
500W POWER AMP  
OUTPUT & POWER SUPPLIES  
SHEET 1 OF 2 SHEETS TOTAL

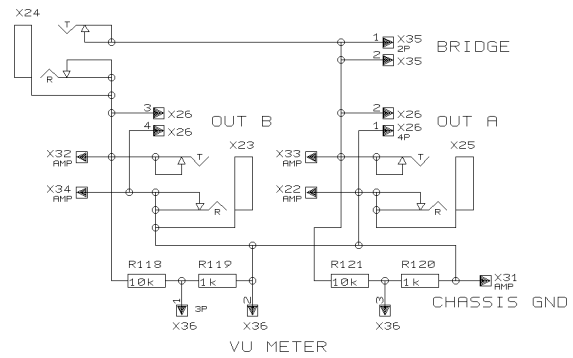
INPUT A



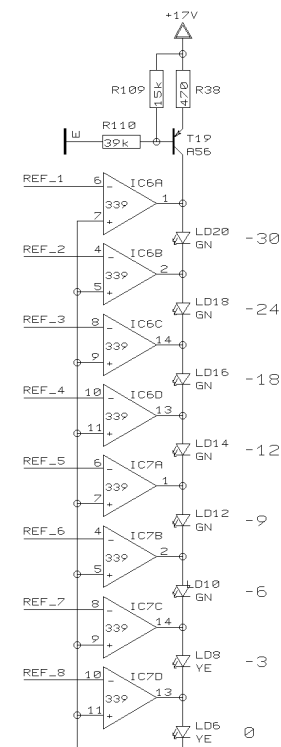
INPUT B



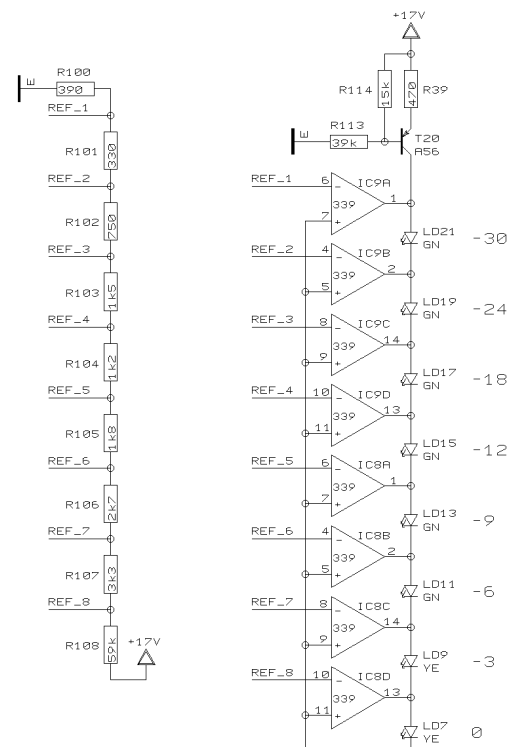
BRIDGE



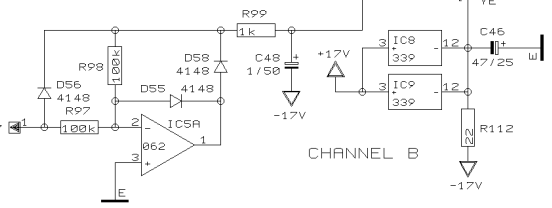
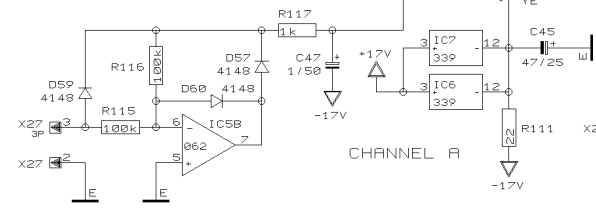
VU METER



CHANNEL A



CHANNEL B



REVISIONS		G
DRAWN	SA	CHECKED
DATE		19.10.5
		9:40



PROJECT  
A500  
500W POWER AMP  
IN/VU-METER/OUT  
SHEET 2 OF 2 SHEETS TOTAL