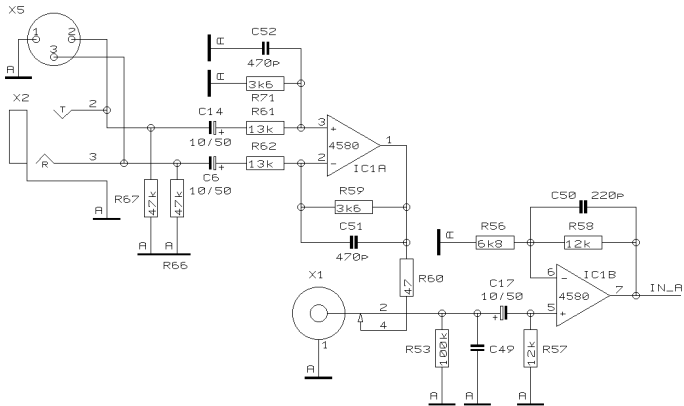
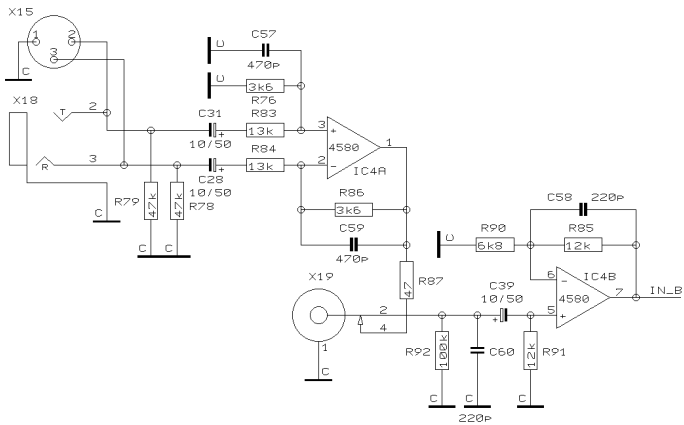


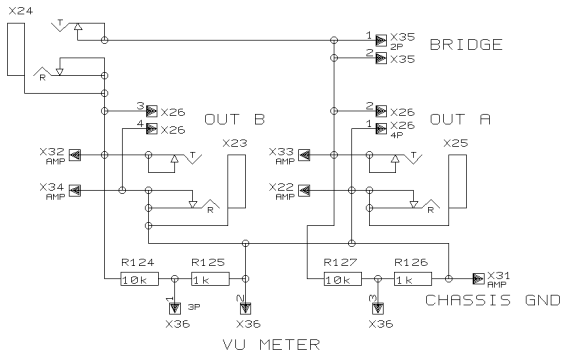
INPUT A



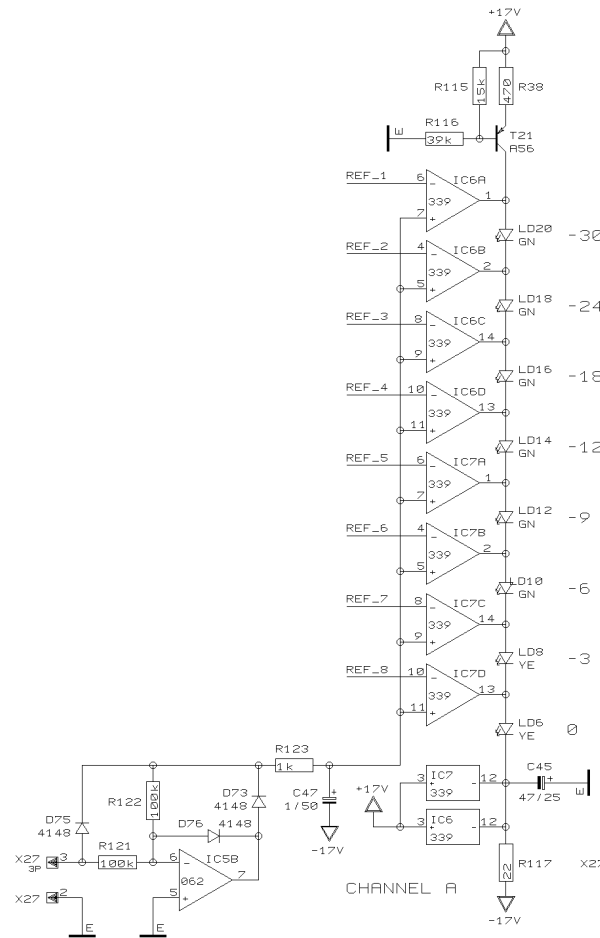
INPUT B



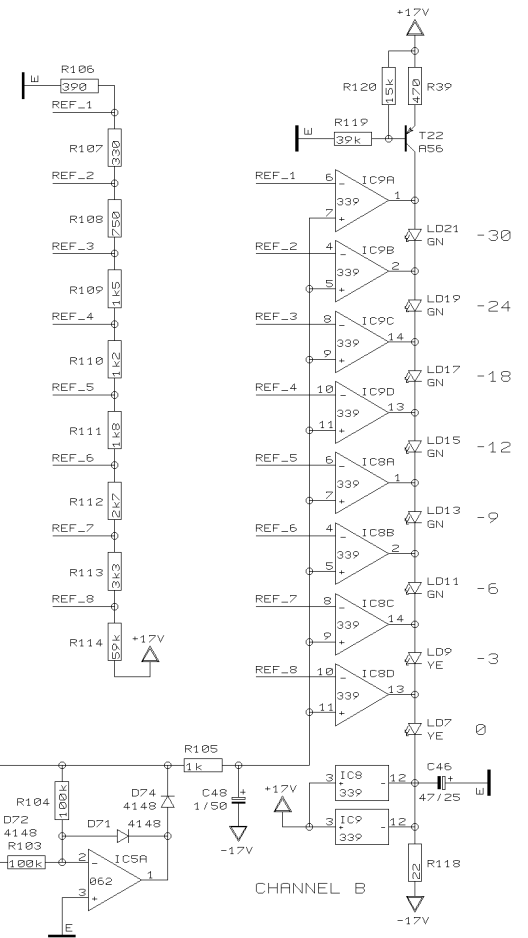
BRIDGE



VU METER



CHANNEL A



CHANNEL B

REVISIONS H

DRAWN SA

CHECKED

DATE 11.07.7
10:03

BEHRINGER®

Specialized Studio Equipment

PROJECT
A500
500W POWER AMP
IN/VU-METER/OUT

SHEET 2 OF 2 SHEETS TOTAL