

REVISIONS E (21/02/03)

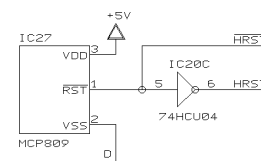
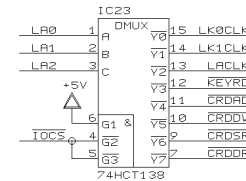
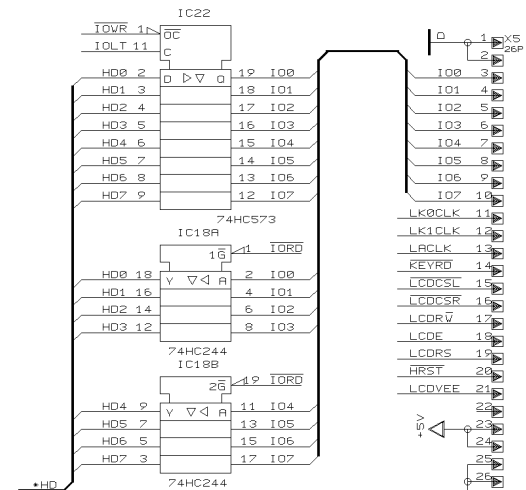
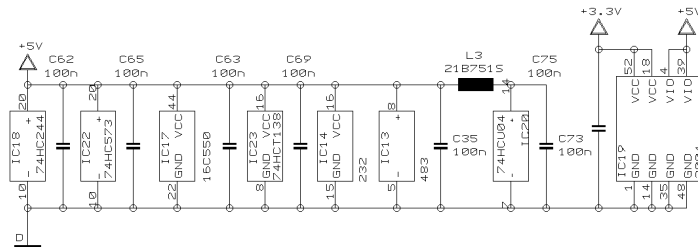
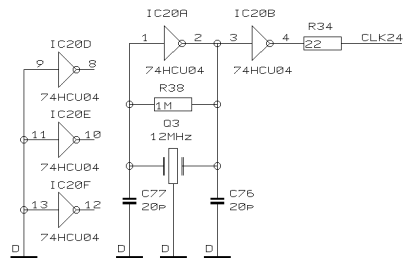
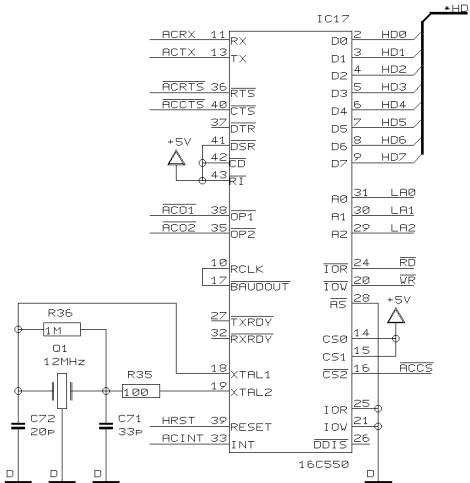
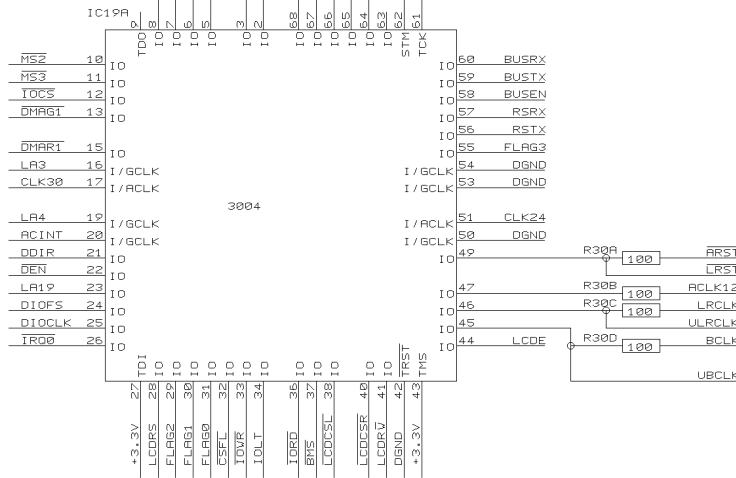
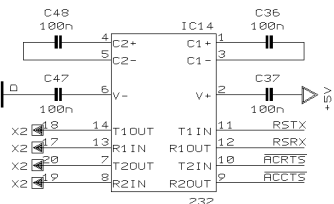
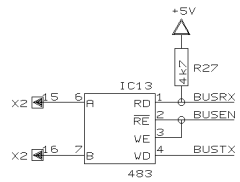
DRAWN TZ

CHECKED

DATE 04.03. 3
14:42



PROJECT
DCX_DSP
ULTRADRIVE PRO
DCX2496 DSP BOARD
SHEET 1 OF 4 SHEETS TOTAL



REVISIONS E

DRAWN TZ

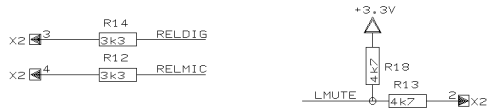
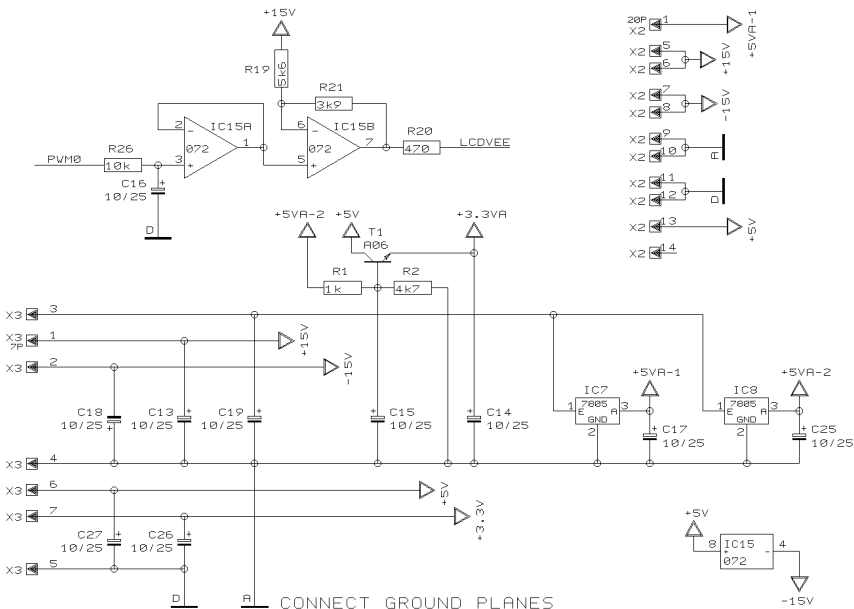
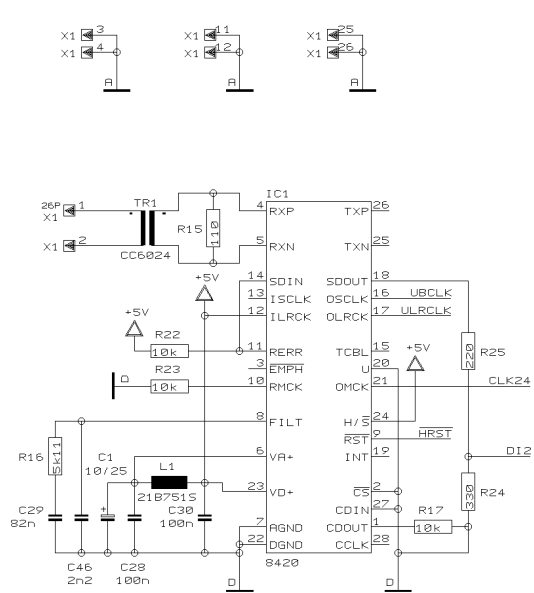
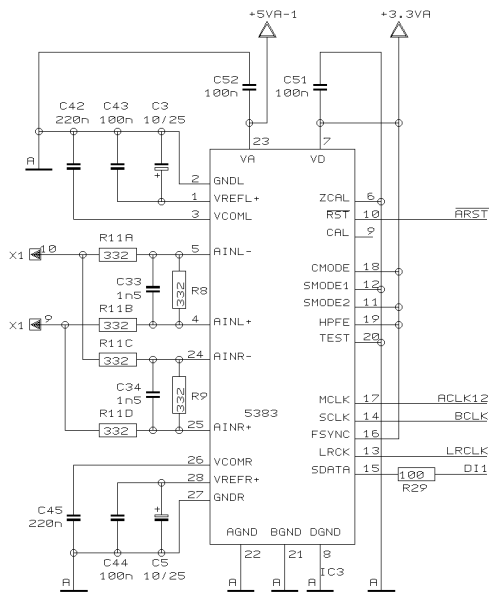
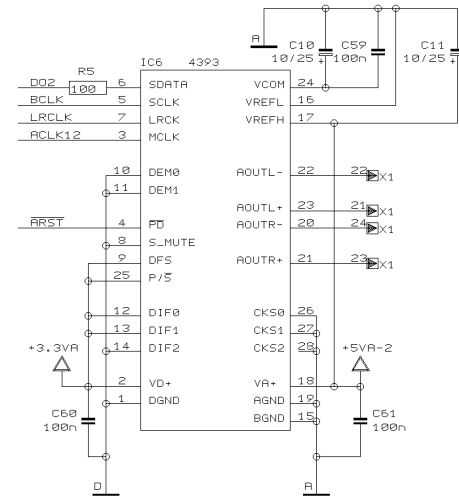
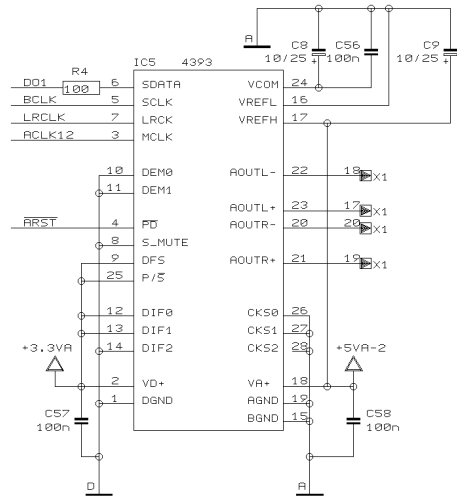
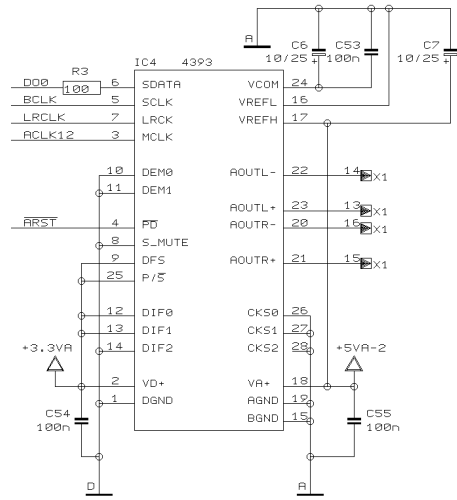
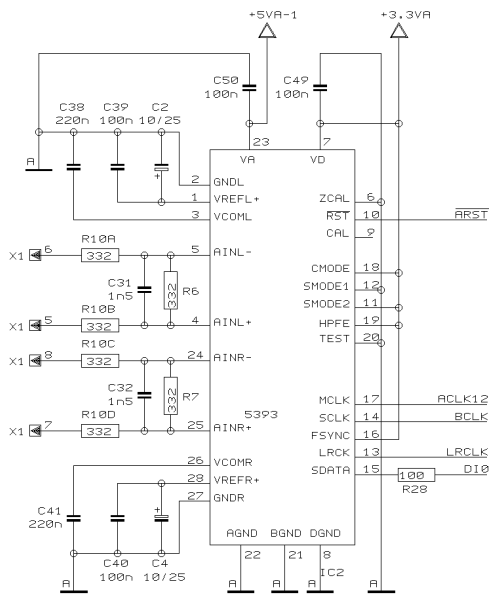
CHECKED

DATE 04.03. 3
14:42



PROJECT
DCX_DSP
ULTRADRIVE PRO
DCX2496 DSP BOARD

SHEET 2 OF 4 SHEETS TOTAL

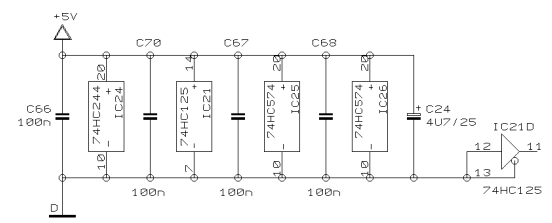
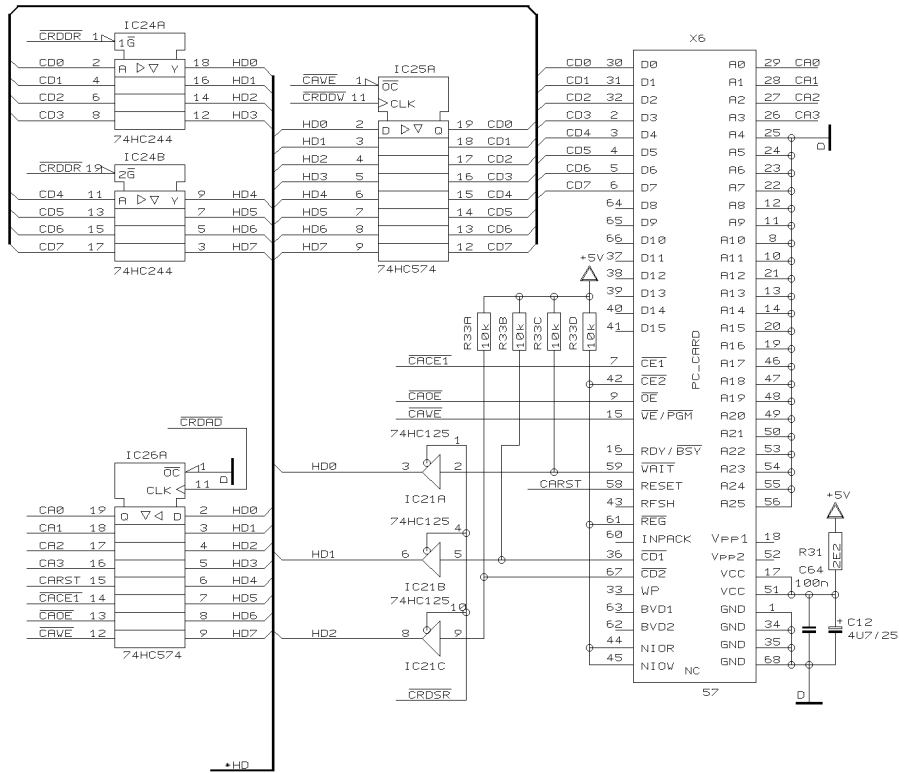


CONNECT GROUND PLANES
NEAR POWER CONNECTOR

REVISIONS	E	
DRAWN	TZ	CHECKED
DATE	04.03. 3	14:42



PROJECT
DCX_DSP
ULTRADRIVE PRO
DCX2496 DSP BOARD
SHEET 3 OF 4 SHEETS TOTAL



REVISIONS		E	
DRAWN	TZ	CHECKED	DATE 04.03. 3 14:42


 Specialized Studio Equipment

PROJECT
 DCX_DSP
 ULTRADRIVE PRO
 DCX2496 DSP BOARD
 SHEET 4 OF 4 SHEETS TOTAL