

REVISIONS E (10/09/02)

DRAWN TZ

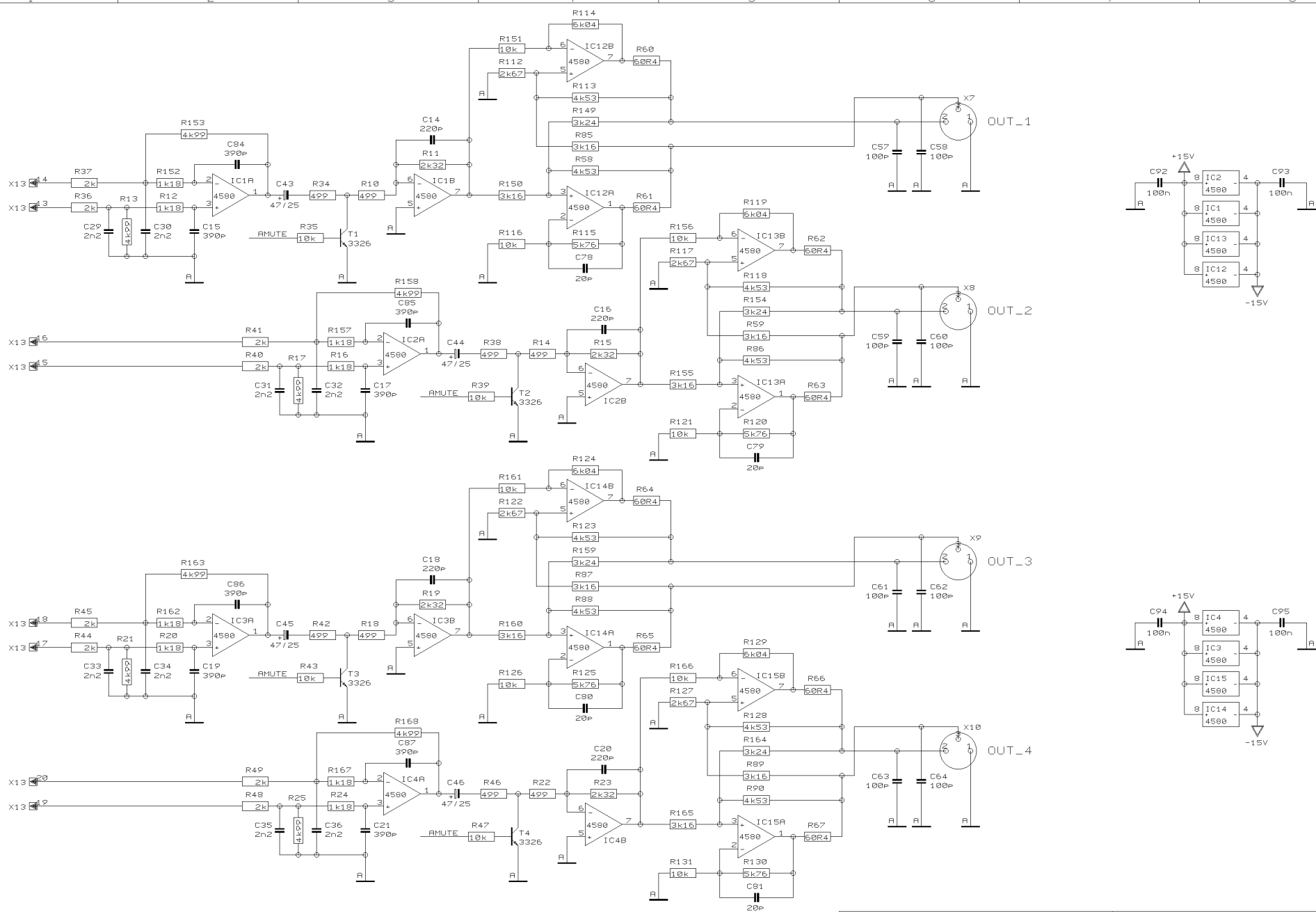
CHECKED

DATE 04.03. 3  
14:47

BEHRINGER®  
Specialized Studio Equipment

PROJECT  
DCX2496B  
ULTRADRIVE  
ANALOG IO SECTION

SHEET 1 OF 3 SHEETS TOTAL



REVISIONS E

DRAWN TZ

CHECKED

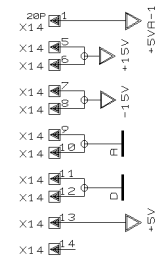
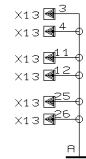
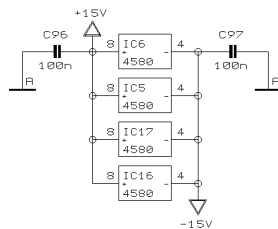
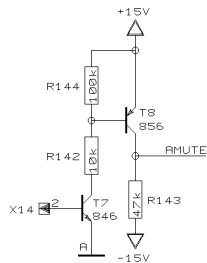
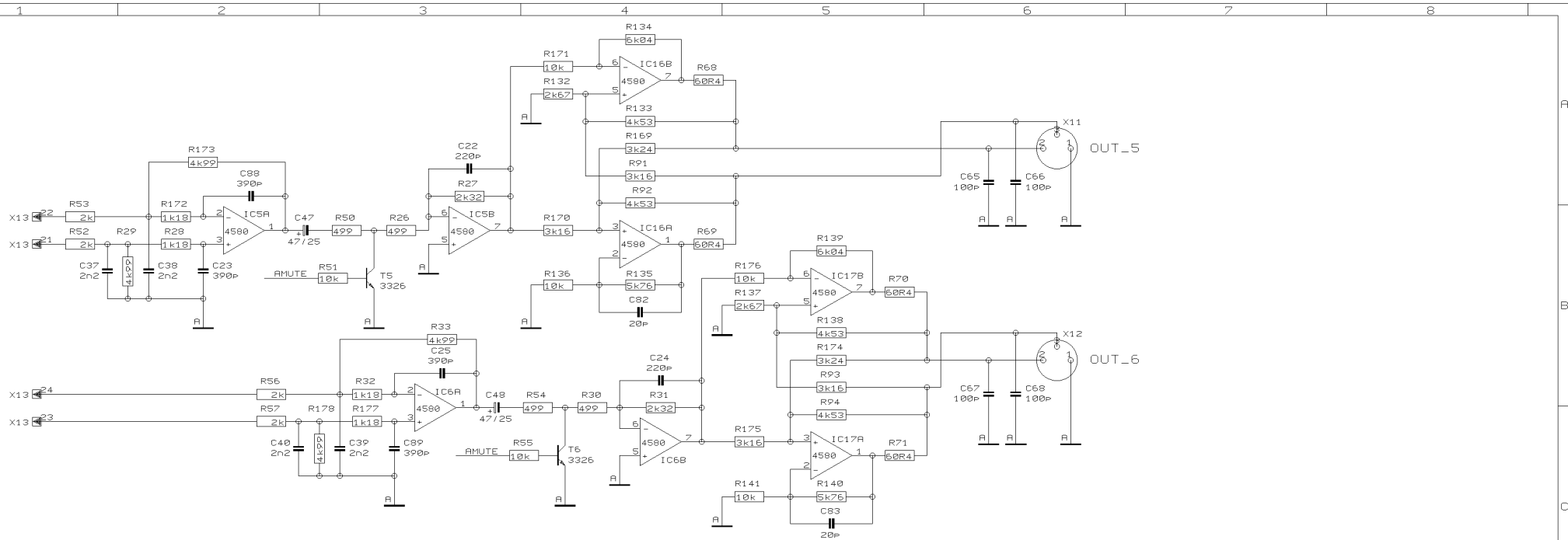
DATE 04.03. 3  
14:47

BEHRINGER®

Specialized Studio Equipment

PROJECT  
DCX2496B  
ULTRADRIVE  
ANALOG IO SECTION

SHEET 2 OF 3 SHEETS TOTAL



REVISIONS		E	
DRAWN	TZ	CHECKED	DATE 04.03. 3 14:47



PROJECT  
DCX2496B  
ULTRADRIVE  
ANALOG IO SECTION  
SHEET 3 OF 3 SHEETS TOTAL