

REVISIONS D (10/09/02)

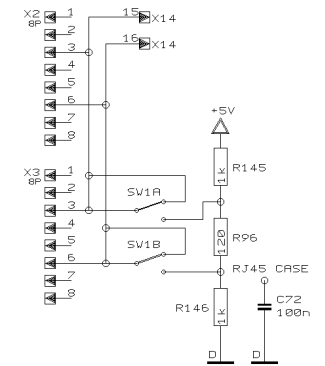
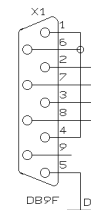
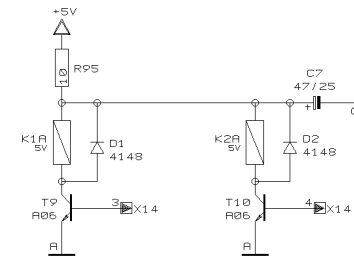
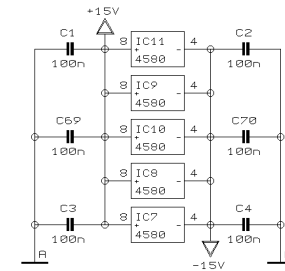
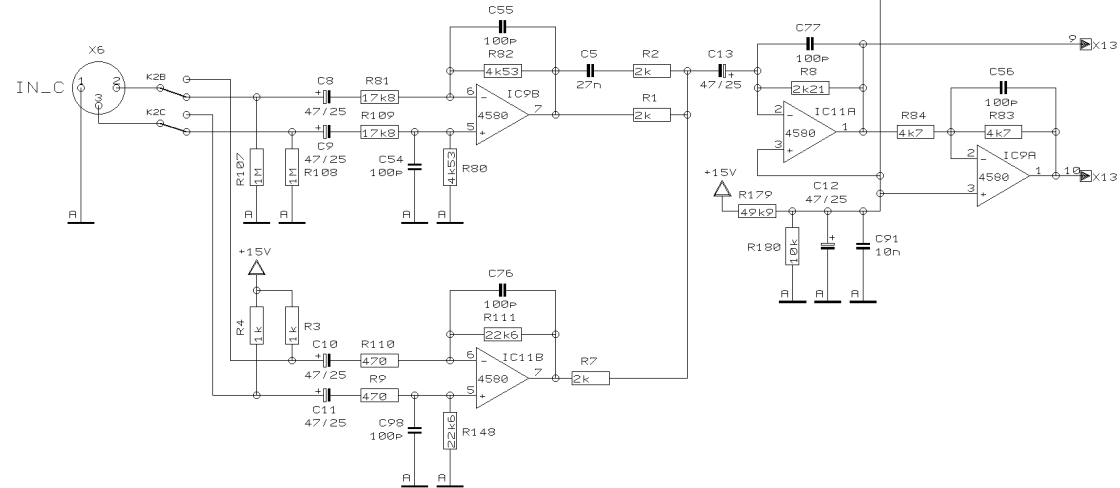
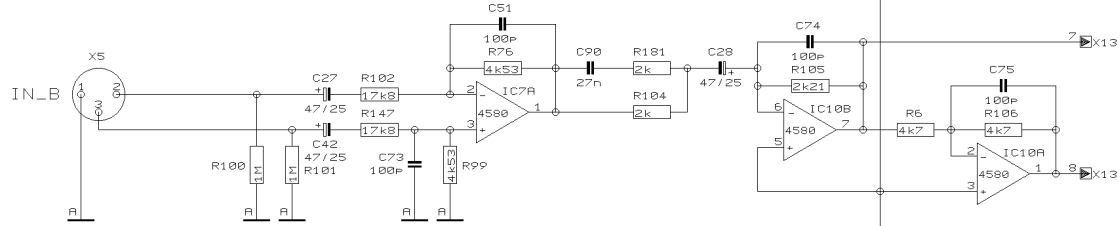
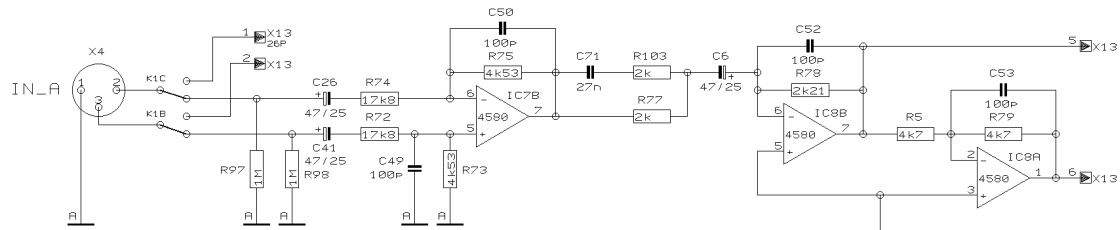
DRAWN TZ

CHECKED

DATE 04.03. 3
14:40

BEHRINGER®
Specialized Studio Equipment

PROJECT
DCX2496F
ULTRADRIVE PRO
CONTROL INTERFACE
SHEET 1 OF 1 SHEETS TOTAL



REVISIONS E (10/09/02)

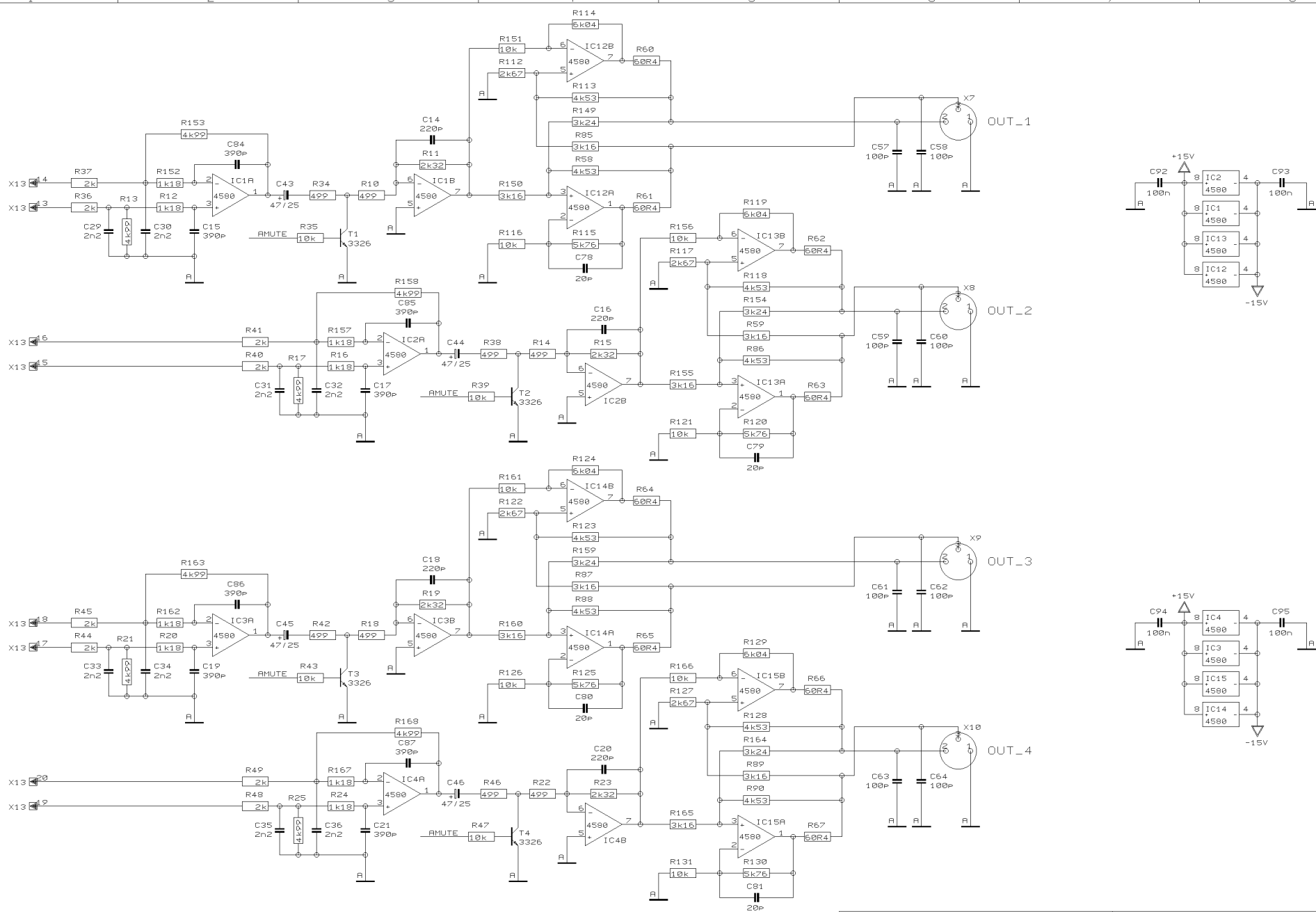
DRAWN TZ

CHECKED

DATE 04.03. 3
14:47

BEHRINGER
Specialized Studio Equipment

PROJECT
DCX2496B
ULTRADRIVE
ANALOG IO SECTION
SHEET 1 OF 3 SHEETS TOTAL



REVISIONS E

DRAWN TZ

CHECKED

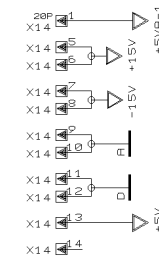
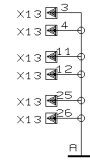
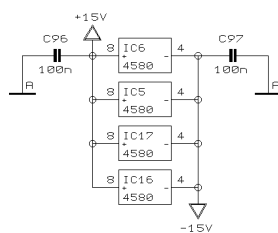
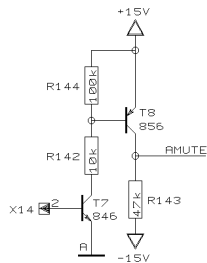
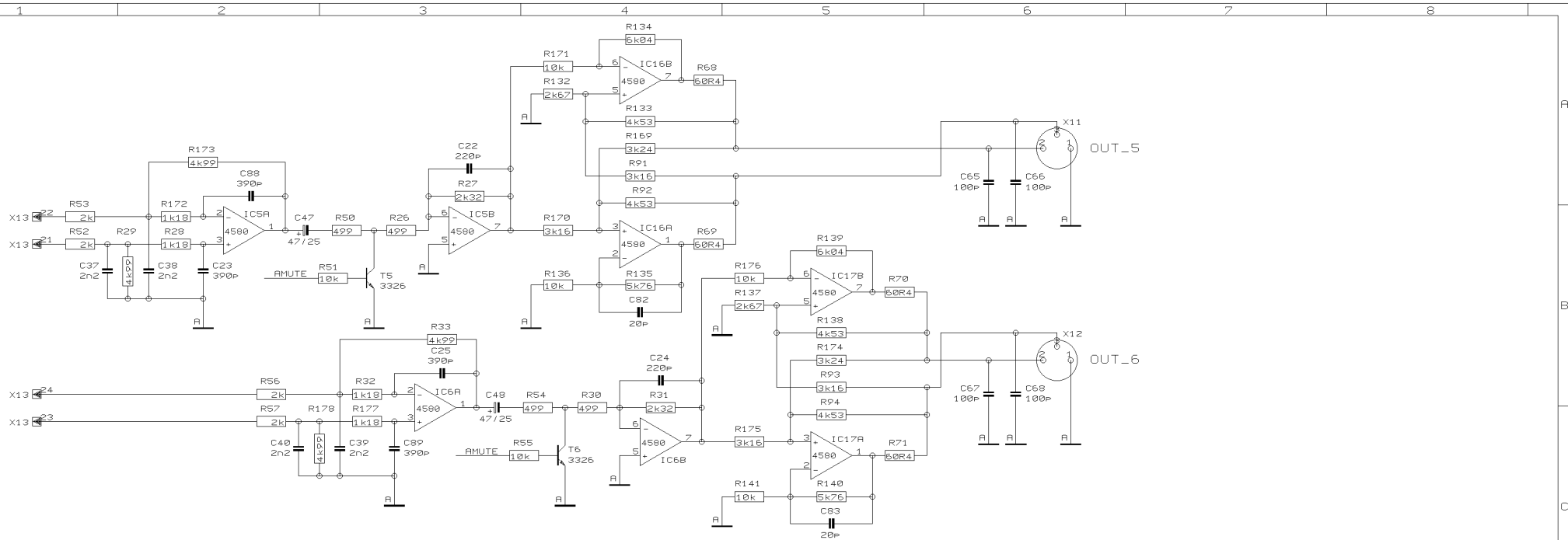
DATE 04.03. 3
14:47

BEHRINGER®

Specialized Studio Equipment

PROJECT
DCX2496B
ULTRADRIVE
ANALOG IO SECTION

SHEET 2 OF 3 SHEETS TOTAL

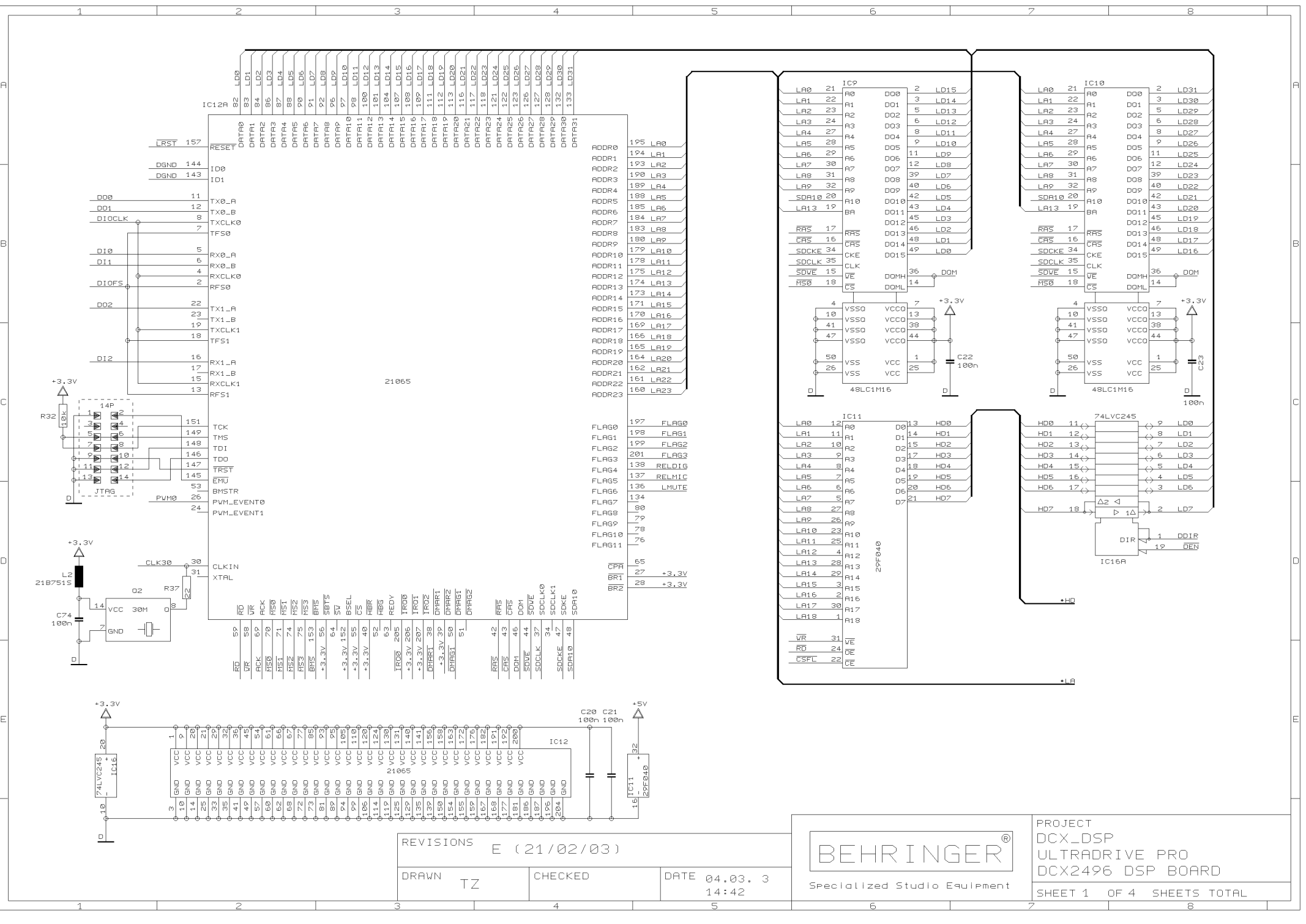


REVISIONS		E	
DRAWN	TZ	CHECKED	DATE 04.03. 3 14:47



PROJECT
DCX2496B
ULTRADRIVE
ANALOG IO SECTION

SHEET 3 OF 3 SHEETS TOTAL



REVISIONS E (21/02/03)

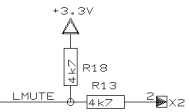
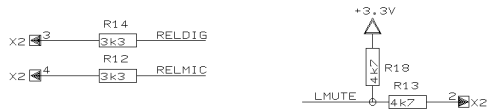
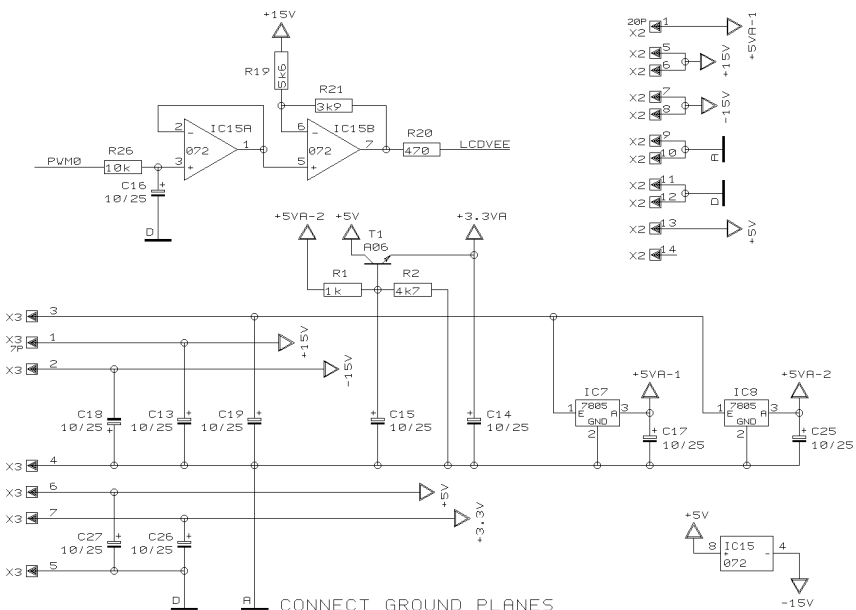
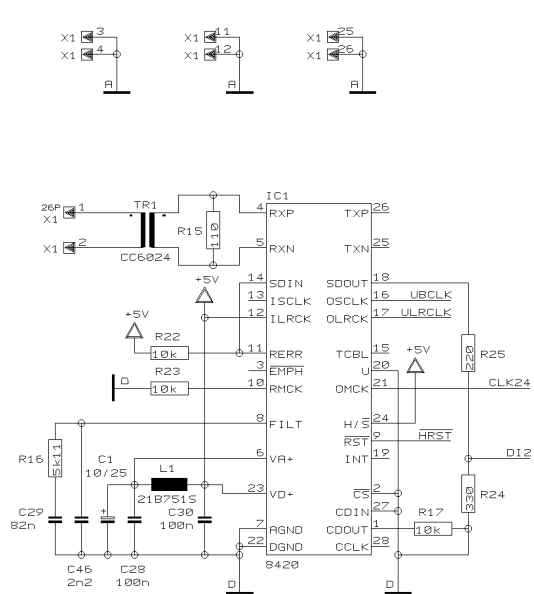
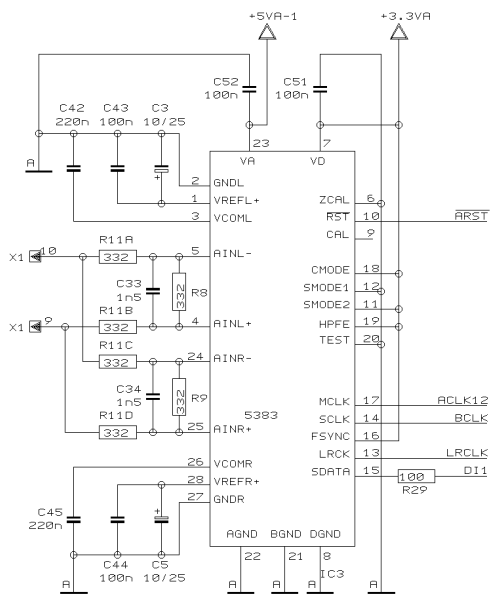
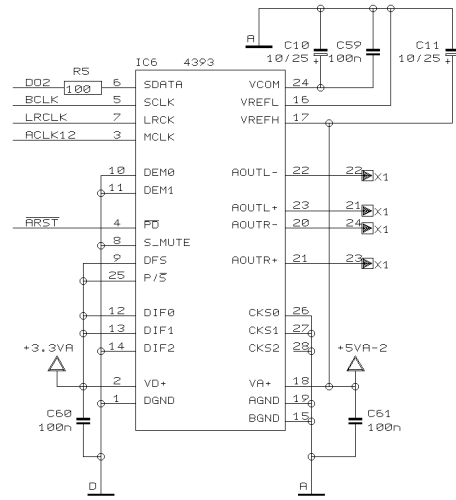
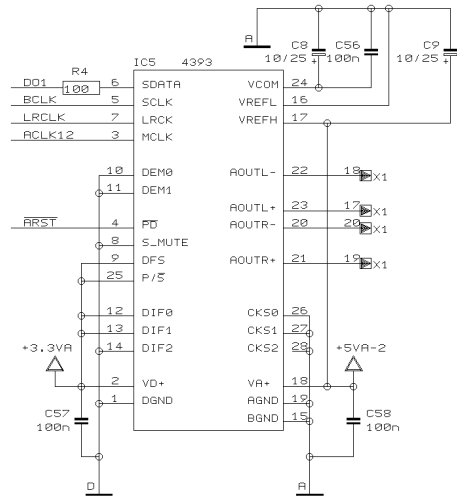
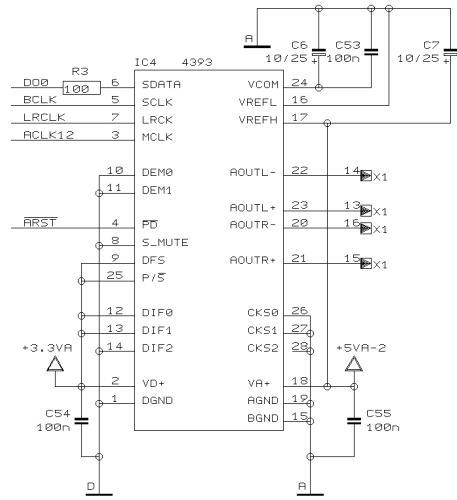
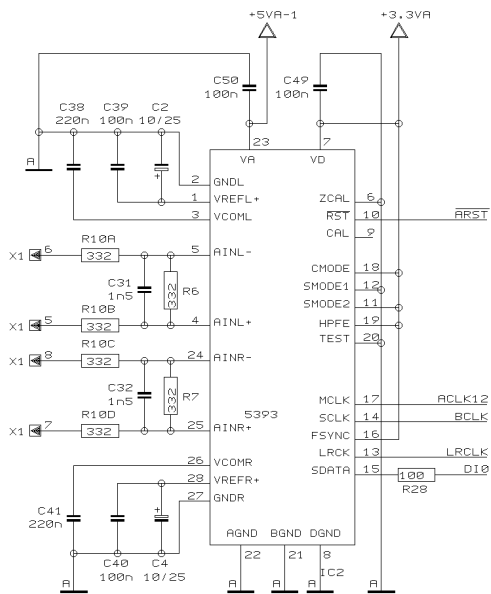
DRAWN TZ

CHECKED

DATE 04.03. 3
14:42



PROJECT
DCX_DSP
ULTRADRIVE PRO
DCX2496 DSP BOARD
SHEET 1 OF 4 SHEETS TOTAL



REVISIONS	E	
DRAWN	TZ	CHECKED
DATE	04.03. 3	14:42



PROJECT
DCX_DSP
ULTRADRIVE PRO
DCX2496 DSP BOARD

SHEET 3 OF 4 SHEETS TOTAL

CONNECT GROUND PLANES
NEAR POWER CONNECTOR

