

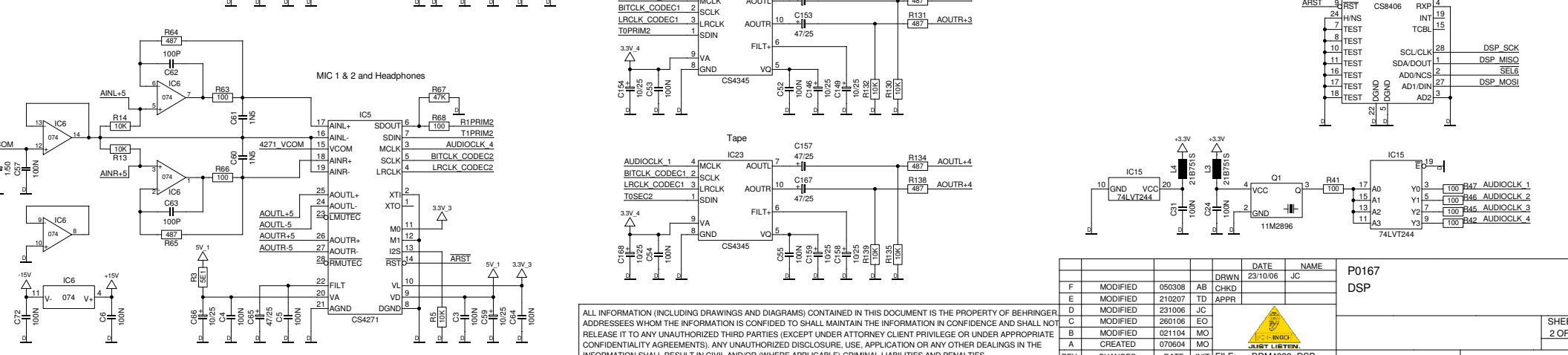
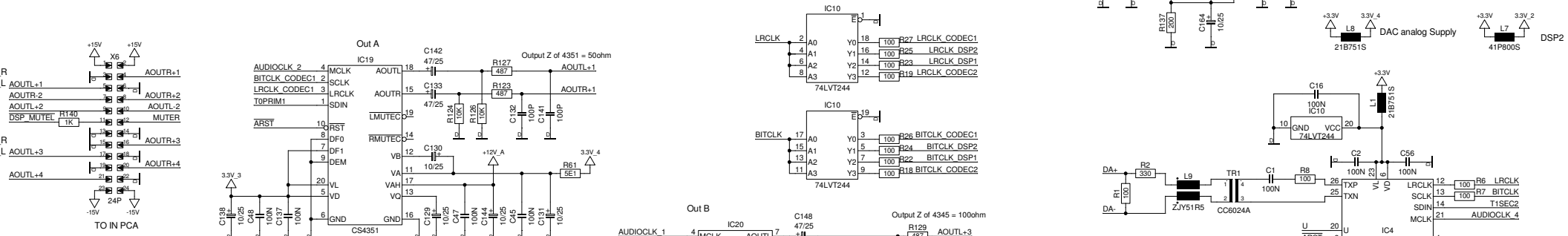
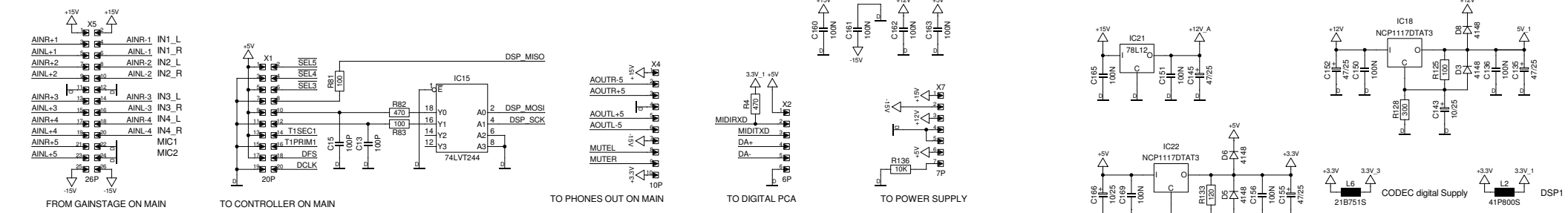
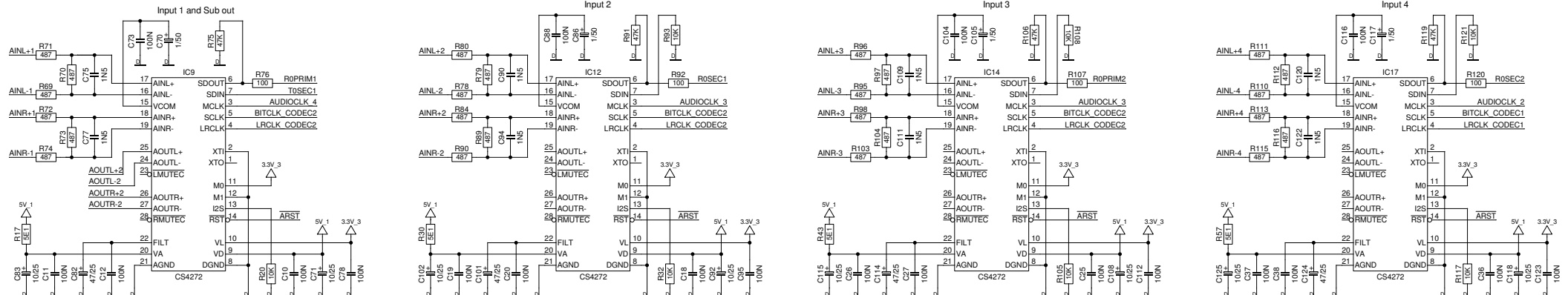
ALL INFORMATION (INCLUDING DRAWINGS AND DIAGRAMS) CONTAINED IN THIS DOCUMENT IS THE PROPERTY OF BEHRINGER ADDRESSEES WHOM THE INFORMATION IS CONFIDED TO SHALL MAINTAIN THE INFORMATION IN CONFIDENCE AND SHALL NOT RELEASE IT TO ANY UNAUTHORIZED THIRD PARTIES (EXCEPT UNDER ATTORNEY CLIENT PRIVILEGE OR UNDER APPROPRIATE CONFIDENTIALITY AGREEMENTS). ANY UNAUTHORIZED DISCLOSURE, USE, APPLICATION OR ANY OTHER DEALINGS IN THE INFORMATION SHALL RESULT IN CIVIL AND/OR (WHERE APPLICABLE) CRIMINAL LIABILITIES AND PENALTIES.

REV	CHANGES	DATE	INIT	FILE:	NAME
6				DDM4000_DSP	
5					
4					
3					
2					
1					

DATE	NAME	DRWN	CHKD	APPR
23/10/06	JC	AB	CHKD	
23/10/06	JC	TD	APPR	
23/10/06	JC			
26/01/06	EO			
02/11/04	MO			
07/06/04	MO			

P0167  
DSP

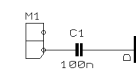
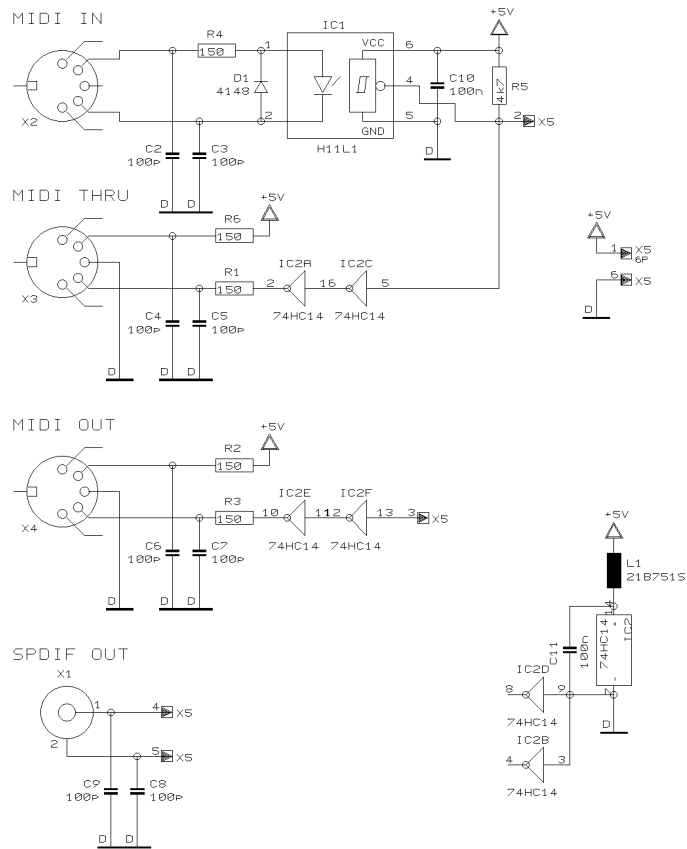




REV	CHANGES	DATE	INIT	FILE:	NAME
F	MODIFIED	050308	AB	CHKD	JC
E	MODIFIED	210207	TD	APPR	
D	MODIFIED	231006	JC		
C	MODIFIED	260106	EO		
B	MODIFIED	021104	MO		
A	CREATED	070604	MO		
6	CHANGES	DATE	INIT	FILE:	DDM4000_DSP



ALL INFORMATION (INCLUDING DRAWINGS AND DIAGRAMS) CONTAINED IN THIS DOCUMENT IS THE PROPERTY OF BEHRINGER ADDRESSES WHOM THE INFORMATION IS CONFIDED TO SHALL MAINTAIN THE INFORMATION IN CONFIDENCE AND SHALL NOT RELEASE IT TO ANY UNAUTHORIZED THIRD PARTIES (EXCEPT UNDER ATTORNEY CLIENT PRIVILEGE OR UNDER APPROPRIATE CONFIDENTIALITY AGREEMENTS). ANY UNAUTHORIZED DISCLOSURE, USE, APPLICATION OR ANY OTHER DEALINGS IN THE INFORMATION SHALL RESULT IN CIVIL AND/OR (WHERE APPLICABLE) CRIMINAL LIABILITIES AND PENALTIES.



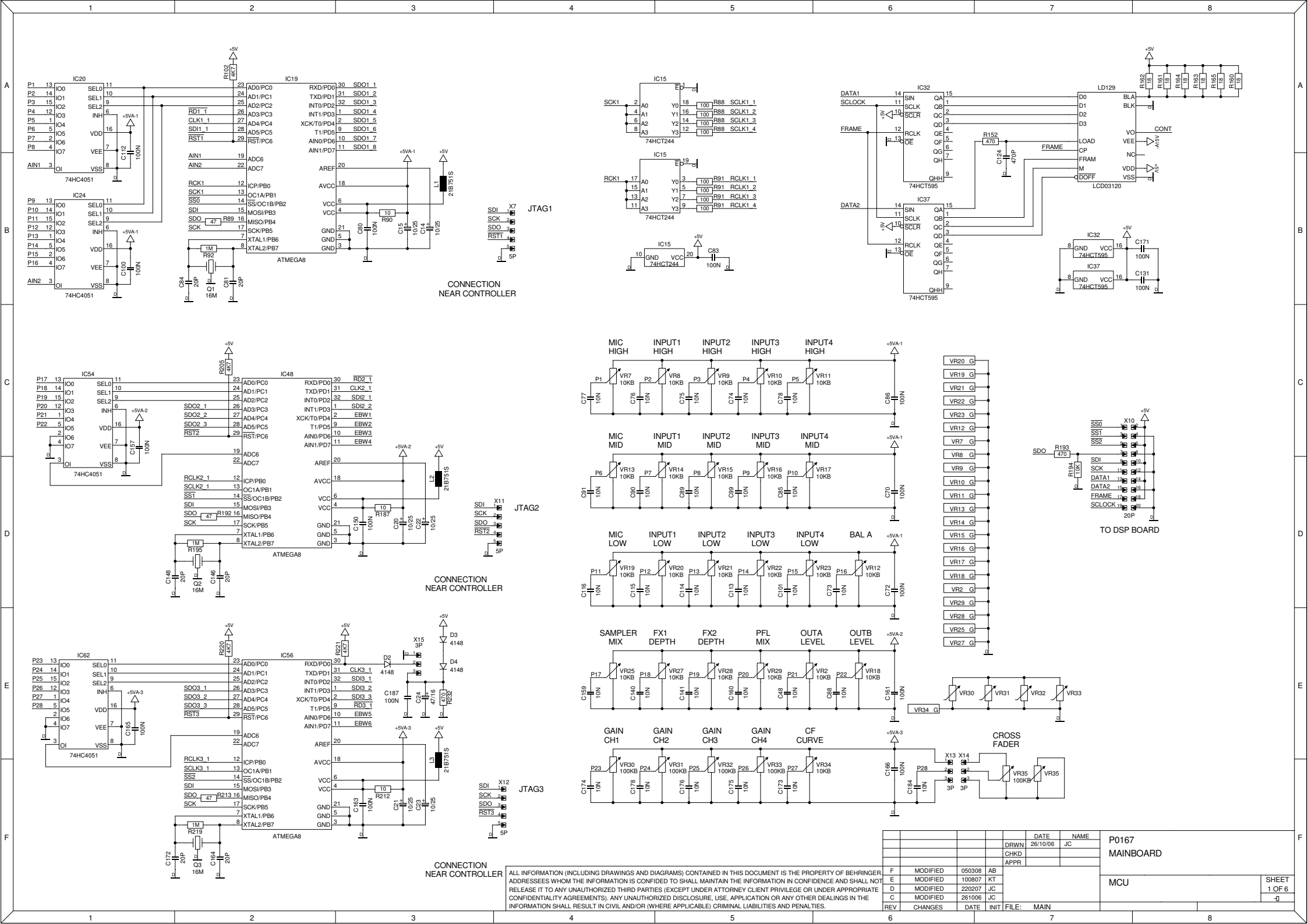
REVISIONS A (05/11/04)

DRAWN MO CHECKED DATE 16.08.7 17:09



PROJECT P0167\_04  
MIDI & SPDIF

SHEET 1 OF 1 SHEETS TOTAL



CONNECTION NEAR CONTROLLER

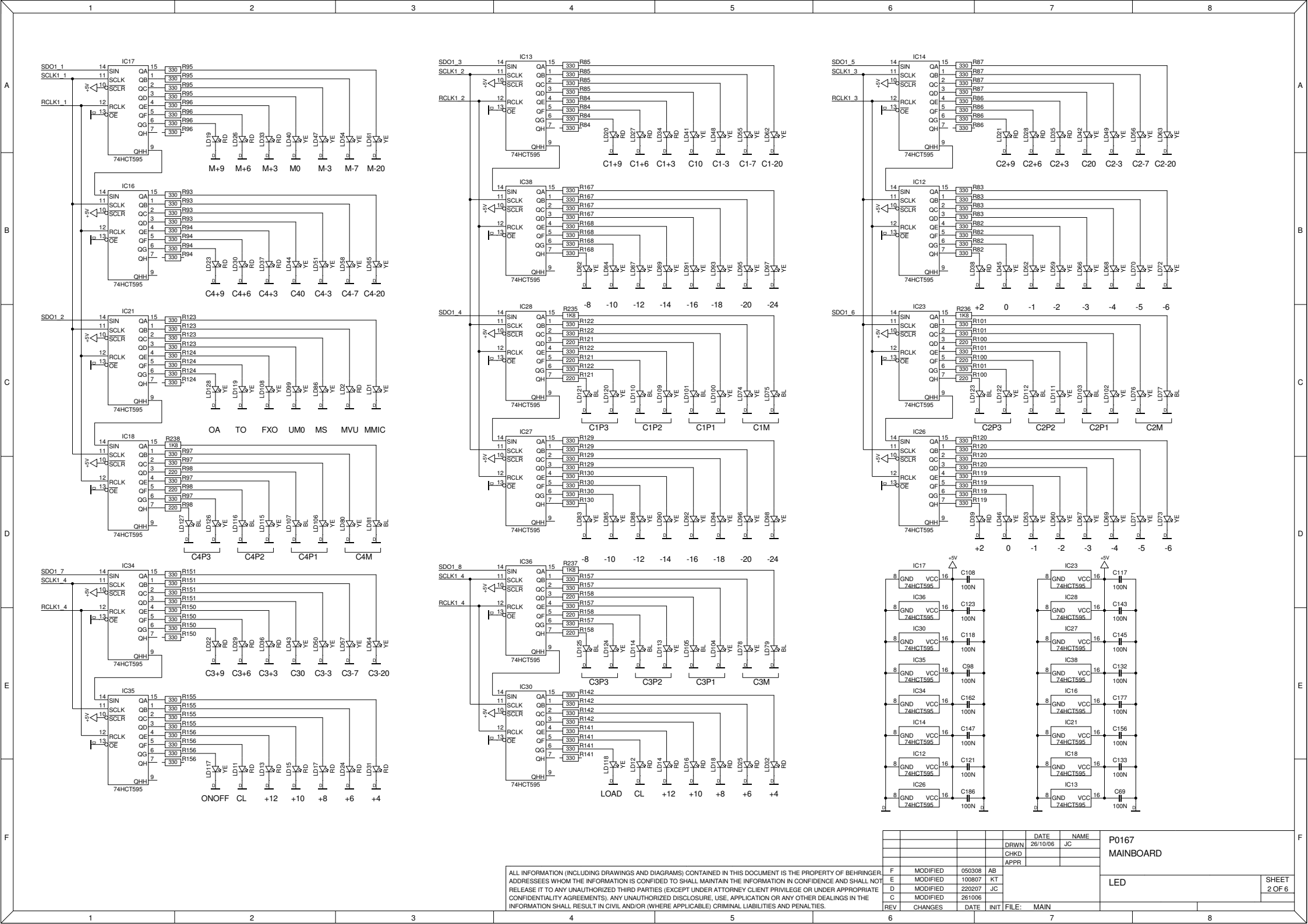
CONNECTION NEAR CONTROLLER

CONNECTION NEAR CONTROLLER

ALL INFORMATION (INCLUDING DRAWINGS AND DIAGRAMS) CONTAINED IN THIS DOCUMENT IS THE PROPERTY OF BEHRINGER. ADDRESSES WHOM THE INFORMATION IS CONFIDED TO SHALL MAINTAIN THE INFORMATION IN CONFIDENCE AND SHALL NOT RELEASE IT TO ANY UNAUTHORIZED THIRD PARTIES (EXCEPT UNDER ATTORNEY CLIENT PRIVILEGE OR UNDER APPROPRIATE CONFIDENTIALITY AGREEMENTS). ANY UNAUTHORIZED DISCLOSURE, USE, APPLICATION OR ANY OTHER DEALINGS IN THE INFORMATION SHALL RESULT IN CIVIL AND/OR (WHERE APPLICABLE) CRIMINAL LIABILITIES AND PENALTIES.

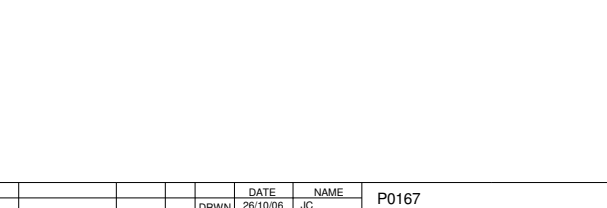
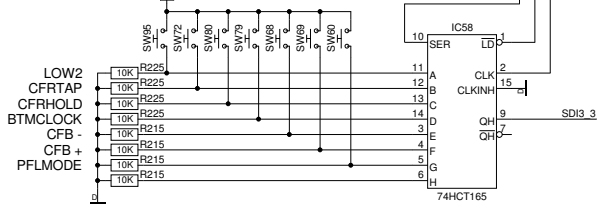
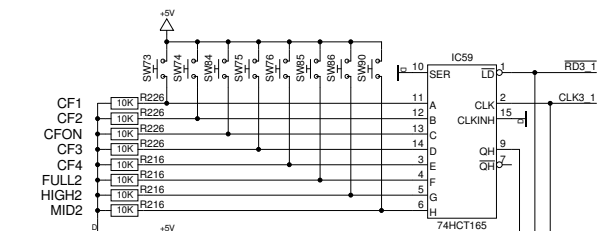
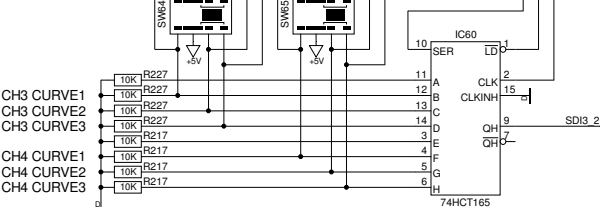
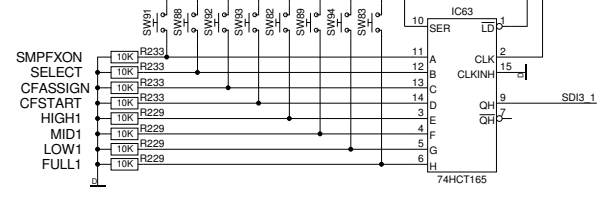
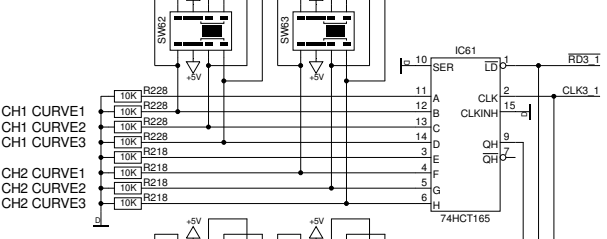
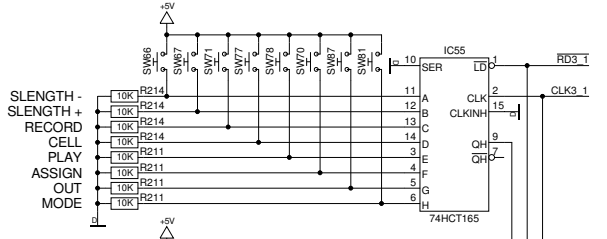
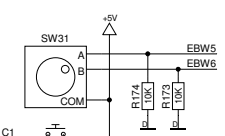
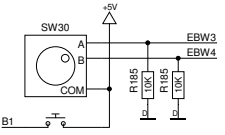
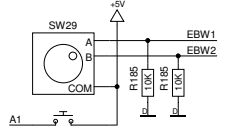
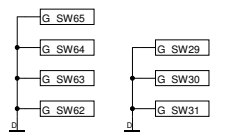
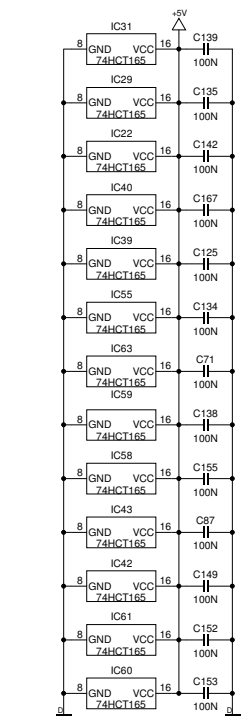
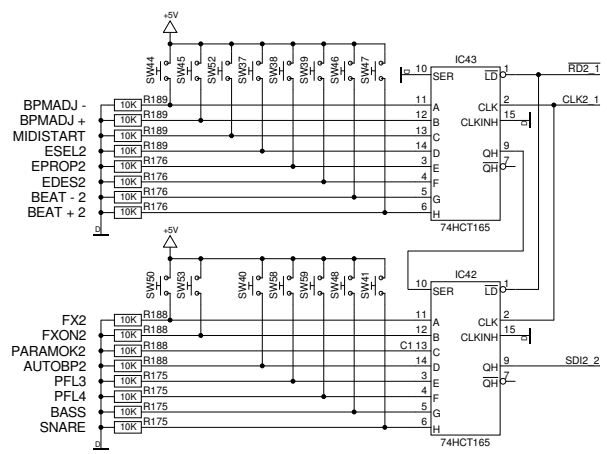
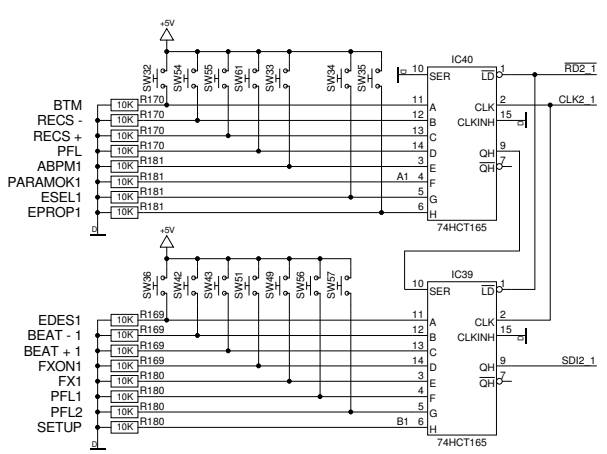
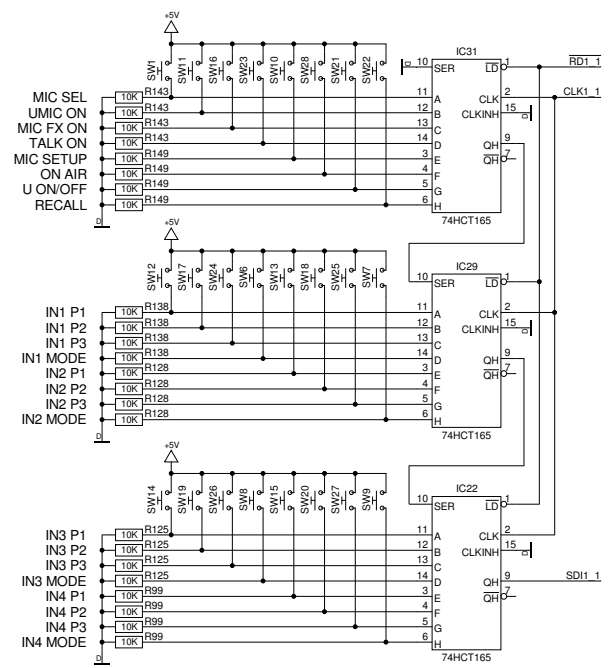
REV	CHANGES	DATE	INIT	FILE:	NAME
F	MODIFIED	050308	AB		
E	MODIFIED	100807	KT		
D	MODIFIED	220207	JC		
C	MODIFIED	261006	JC		
DRWN		26/10/06	JC		
CHKD					
APPR					

P0167		MCU	SHEET 1 OF 6
MAINBOARD			
DATE	26/10/06	NAME	JC
FILE:	MAIN		



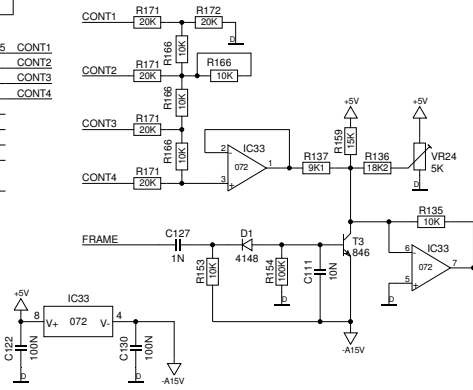
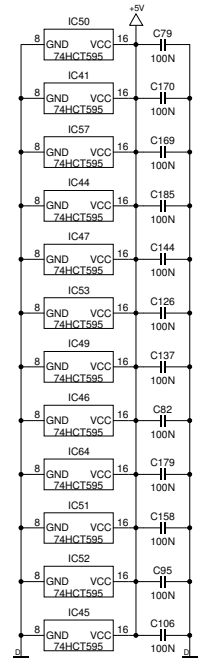
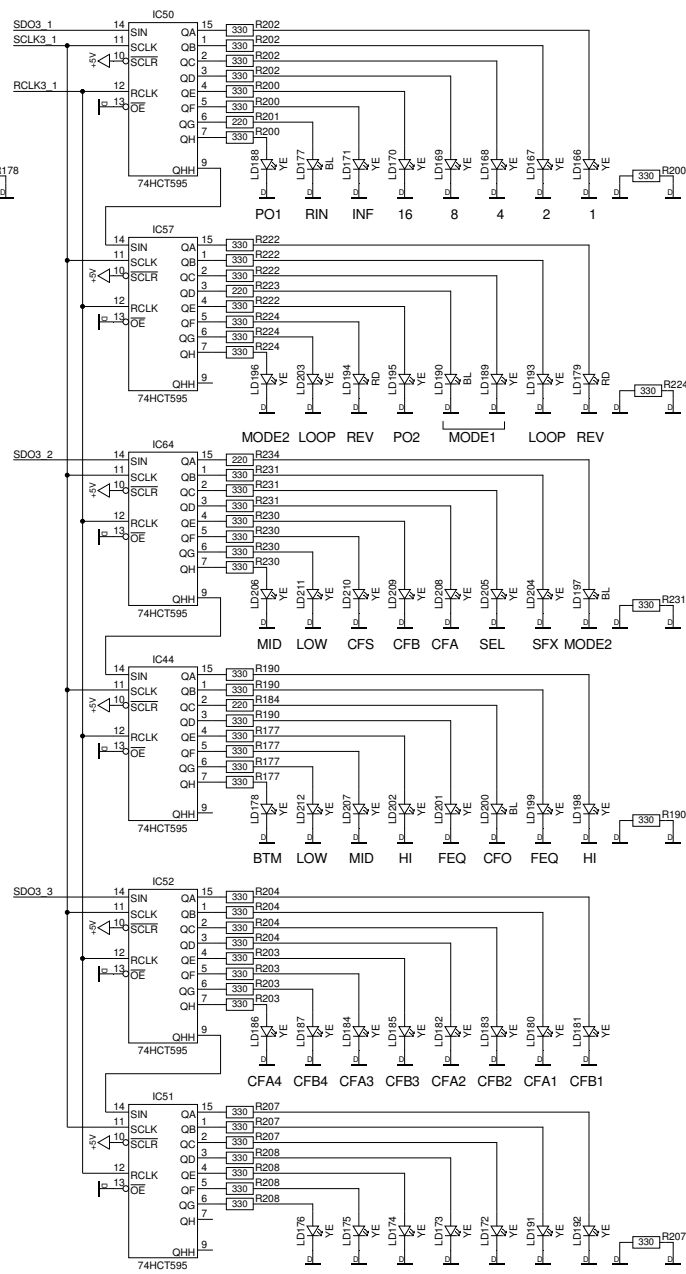
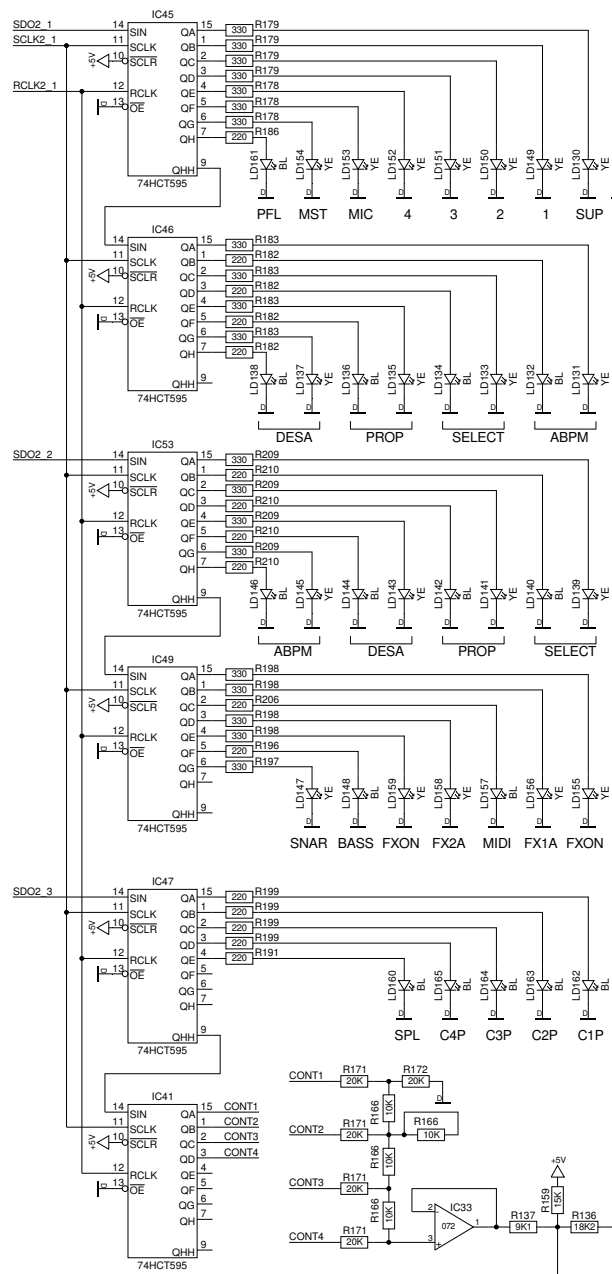
REV	CHANGES	DATE	INIT	FILE:	NAME
F	MODIFIED	050308	AB		P0167
E	MODIFIED	100807	KT		MAINBOARD
D	MODIFIED	220207	JC		LED
C	MODIFIED	261006	JC		
B	APPR				
A	DRWN	26/10/06	JC		

ALL INFORMATION (INCLUDING DRAWINGS AND DIAGRAMS) CONTAINED IN THIS DOCUMENT IS THE PROPERTY OF BEHRINGER. ADDRESSES WHOM THE INFORMATION IS CONFIDED TO SHALL MAINTAIN THE INFORMATION IN CONFIDENCE AND SHALL NOT RELEASE IT TO ANY UNAUTHORIZED THIRD PARTIES (EXCEPT UNDER ATTORNEY CLIENT PRIVILEGE OR UNDER APPROPRIATE CONFIDENTIALITY AGREEMENTS). ANY UNAUTHORIZED DISCLOSURE, USE, APPLICATION OR ANY OTHER DEALINGS IN THE INFORMATION SHALL RESULT IN CIVIL AND/OR (WHERE APPLICABLE) CRIMINAL LIABILITIES AND PENALTIES.



ALL INFORMATION (INCLUDING DRAWINGS AND DIAGRAMS) CONTAINED IN THIS DOCUMENT IS THE PROPERTY OF BEHRINGER. ADDRESSES WHOM THE INFORMATION IS CONFIDED TO SHALL MAINTAIN THE INFORMATION IN CONFIDENCE AND SHALL NOT RELEASE IT TO ANY UNAUTHORIZED THIRD PARTIES (EXCEPT UNDER ATTORNEY CLIENT PRIVILEGE OR UNDER APPROPRIATE CONFIDENTIALITY AGREEMENTS). ANY UNAUTHORIZED DISCLOSURE, USE, APPLICATION OR ANY OTHER DEALINGS IN THE INFORMATION SHALL RESULT IN CIVIL AND/OR (WHERE APPLICABLE) CRIMINAL LIABILITIES AND PENALTIES.

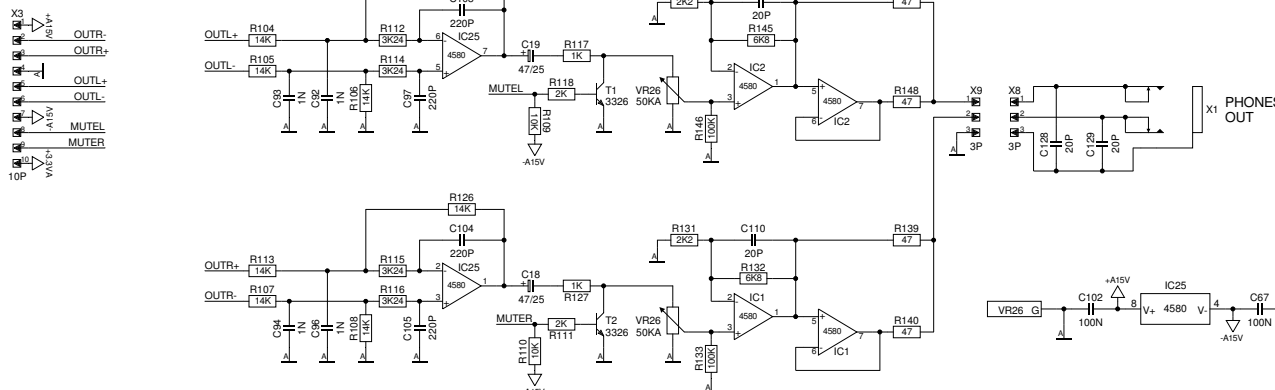
		DATE	NAME	P0167 MAINBOARD	BUTTON	SHEET 3 OF 6
	DRWN	26/10/06	JC			
	CHKD					
	APPR					
F	MODIFIED	050308	AB			
E	MODIFIED	100807	KT			
D	MODIFIED	220207	JC			
C	MODIFIED	261006				
REV	CHANGES	DATE	INIT	FILE: MAIN		



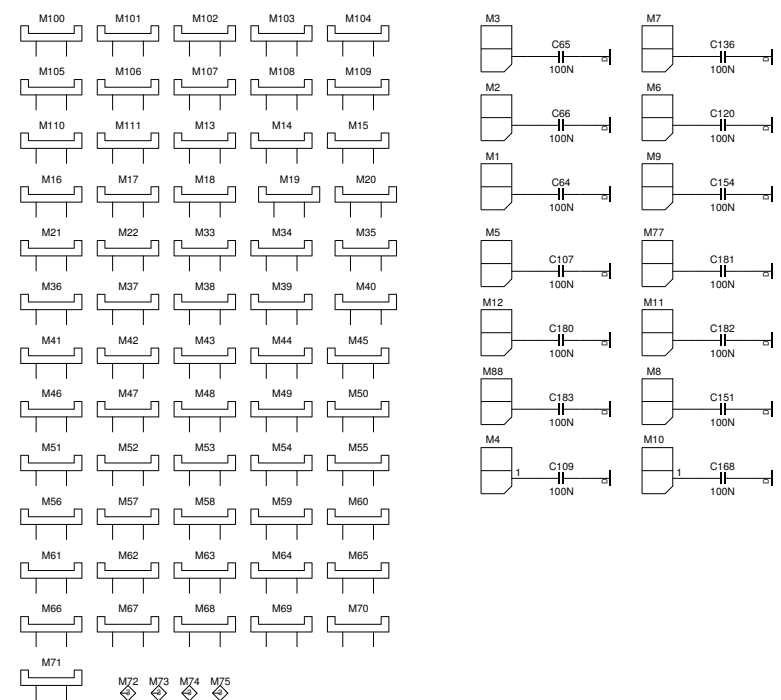
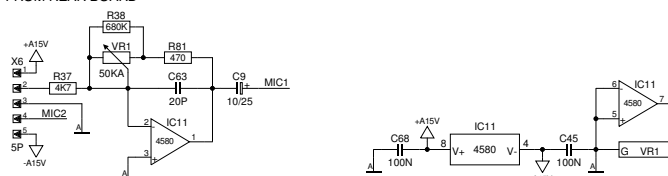
ALL INFORMATION (INCLUDING DRAWINGS AND DIAGRAMS) CONTAINED IN THIS DOCUMENT IS THE PROPERTY OF BEHRINGER. ADDRESSES WHOM THE INFORMATION IS CONFIDED TO SHALL MAINTAIN THE INFORMATION IN CONFIDENCE AND SHALL NOT RELEASE IT TO ANY UNAUTHORIZED THIRD PARTIES (EXCEPT UNDER ATTORNEY CLIENT PRIVILEGE OR UNDER APPROPRIATE CONFIDENTIALITY AGREEMENTS). ANY UNAUTHORIZED DISCLOSURE, USE, APPLICATION OR ANY OTHER DEALINGS IN THE INFORMATION SHALL RESULT IN CIVIL AND/OR (WHERE APPLICABLE) CRIMINAL LIABILITIES AND PENALTIES.

				DATE	NAME	P0167 MAINBOARD	LED	SHEET 4 OF 6
			DRWN	26/10/06	JC			
			CHKD					
			APPR					
F	MODIFIED	050308	AB					
E	MODIFIED	100807	KT					
D	MODIFIED	220207	JC					
C	MODIFIED	261006						
REV	CHANGES	DATE	INIT	FILE:	MAIN			

FROM DSB BOARD



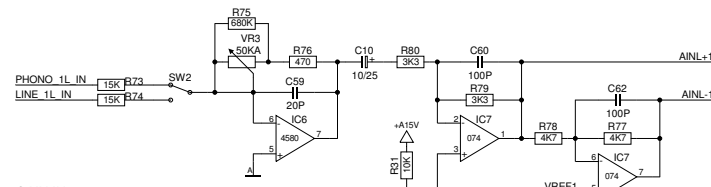
FROM REAR BOARD



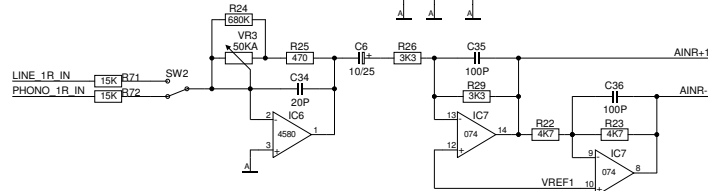
ALL INFORMATION (INCLUDING DRAWINGS AND DIAGRAMS) CONTAINED IN THIS DOCUMENT IS THE PROPERTY OF BEHRINGER. ADDRESSEES WHOM THE INFORMATION IS CONFIDED TO SHALL MAINTAIN THE INFORMATION IN CONFIDENCE AND SHALL NOT RELEASE IT TO ANY UNAUTHORIZED THIRD PARTIES (EXCEPT UNDER ATTORNEY CLIENT PRIVILEGE OR UNDER APPROPRIATE CONFIDENTIALITY AGREEMENTS). ANY UNAUTHORIZED DISCLOSURE, USE, APPLICATION OR ANY OTHER DEALINGS IN THE INFORMATION SHALL RESULT IN CIVIL AND/OR (WHERE APPLICABLE) CRIMINAL LIABILITIES AND PENALTIES.

				DATE	NAME	P0167 MAINBOARD
		DRWN	26/10/06	JC		
		CHKD				
		APPR				
F	MODIFIED	050308	AB			MIC&PHONE
E	MODIFIED	100807	KT			
D	MODIFIED	220207	JC			
C	MODIFIED	261006				
REV	CHANGES	DATE	INIT	FILE:	MAIN	

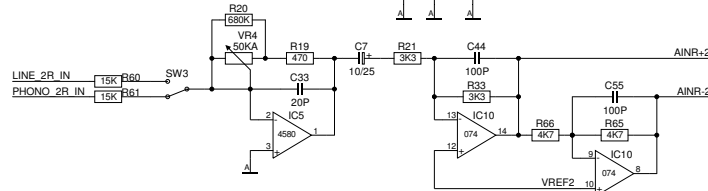


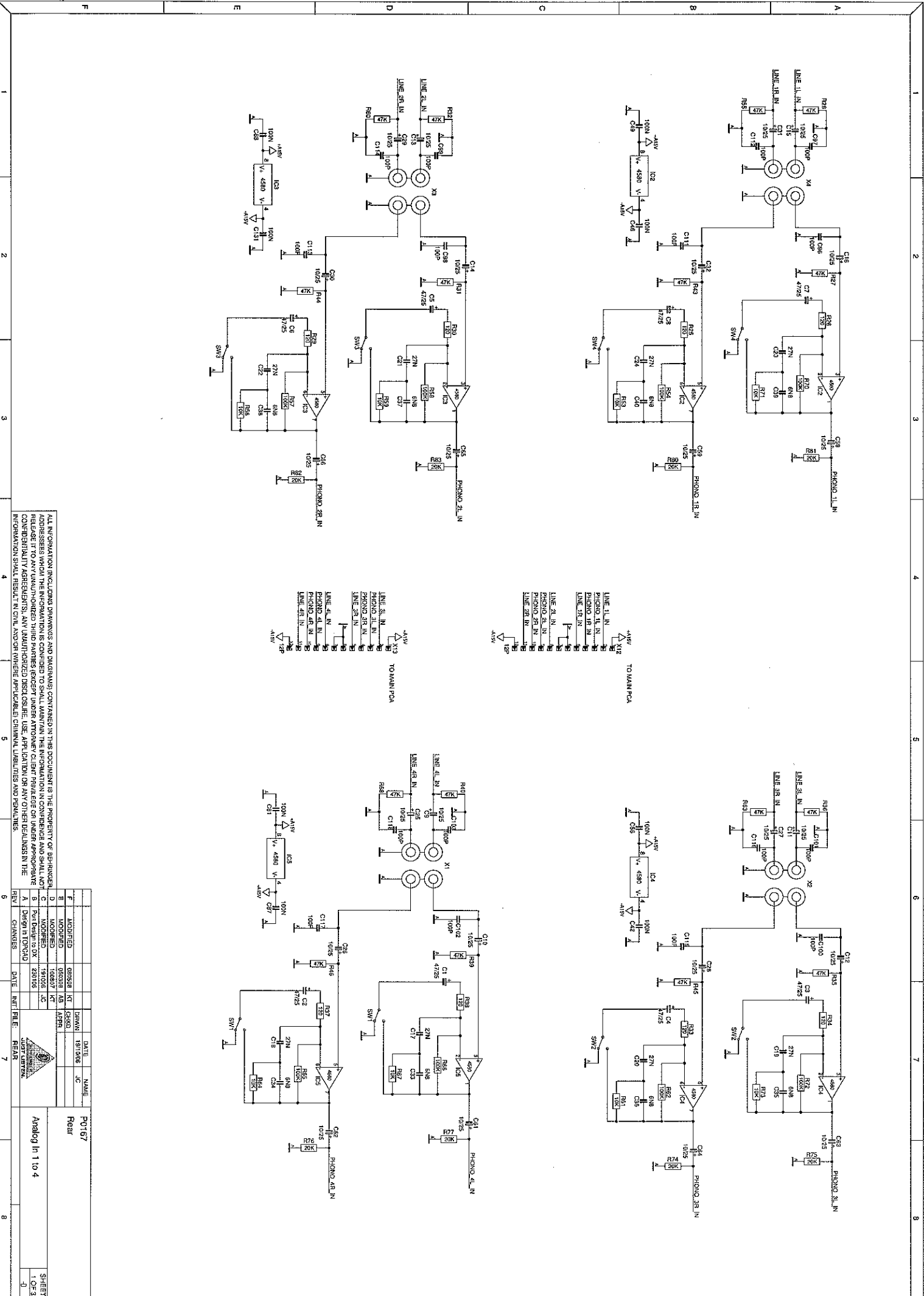


GAIN IN1



GAIN IN2





ALL INFORMATION INCLUDING DRAWINGS AND DIAGRAMS CONTAINED IN THIS DOCUMENT IS THE PROPERTY OF BERKELER AND ADDRESSES WHICH THE INFORMATION IS CONFIDED TO SHALL MAINTAIN THE INFORMATION IN CONFIDENCE AND SHALL NOT BE RELEASED TO ANY UNAUTHORIZED THIRD PARTY EXCEPT UNDER ATTORNEY CLIENT PRIVILEGE OR UNDER APPROPRIATE CONFIDENTIALITY AGREEMENTS. ANY UNAUTHORIZED DISCLOSURE, USE, APPLICATION OR ANY OTHER DEALINGS IN THE INFORMATION SHALL RESULT IN CIVIL AND/OR WHERE APPLICABLE CRIMINAL LIABILITIES AND PENALTIES.

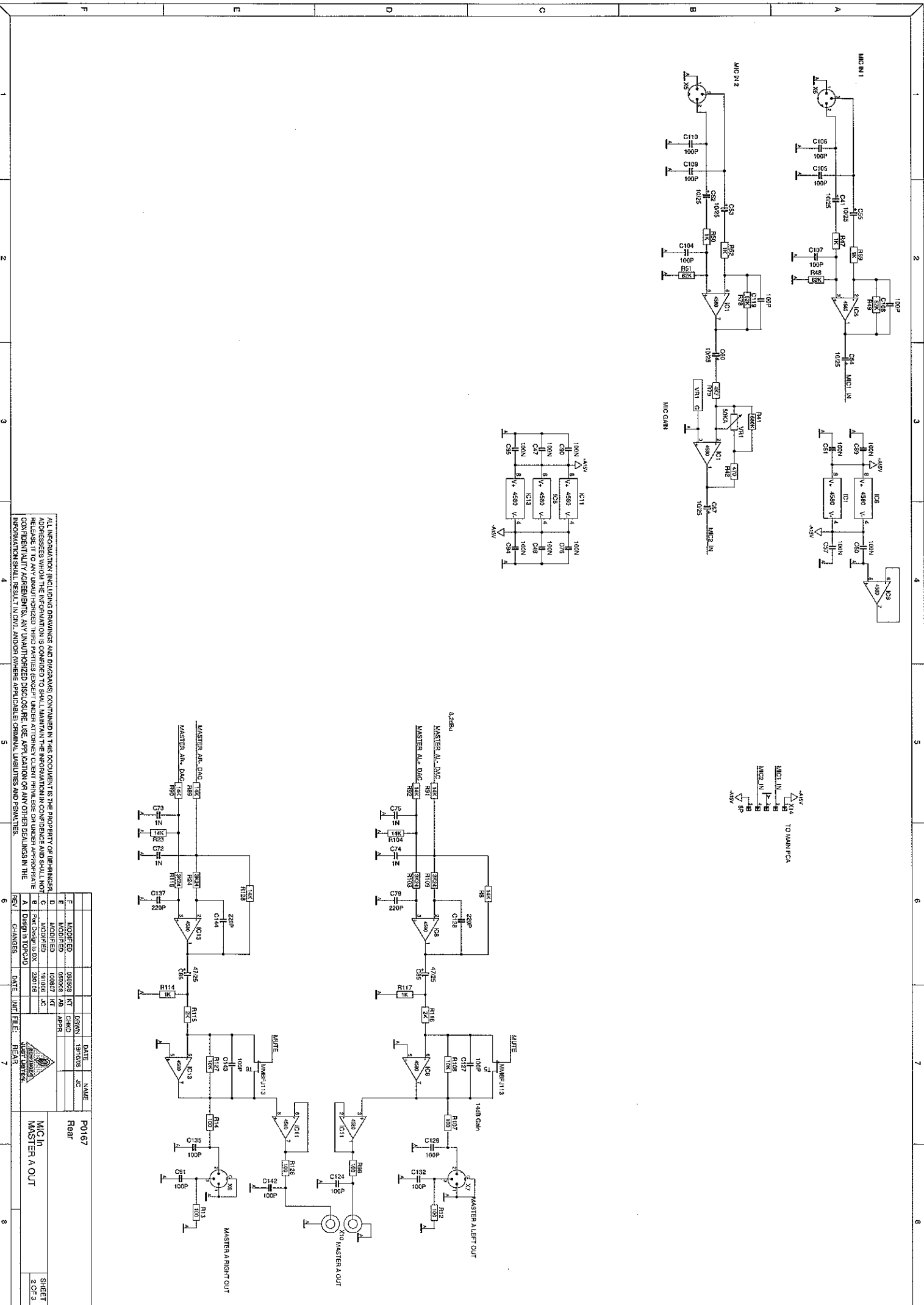
REV	CHANGES	DATE	INT. FILE	REAR
A	Design in FORCAD	2/10/76		
B	Post Design in OK	2/10/76		
C	Design in OK	2/10/76		
D	MODIFIED	10/20/77		
E	MODIFIED	05/20/78		
F	MODIFIED	05/20/78		

NAME	DATE
JC	10/10/76
APPR	
CHKD	
DESIGN	

POT67
Rear
Sheet 1 OF 3
0

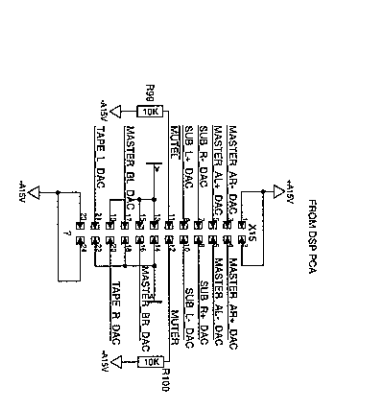
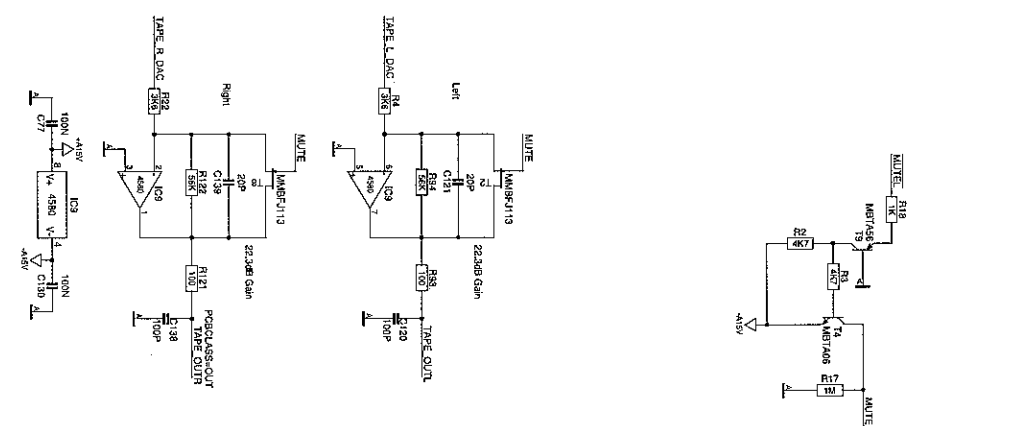
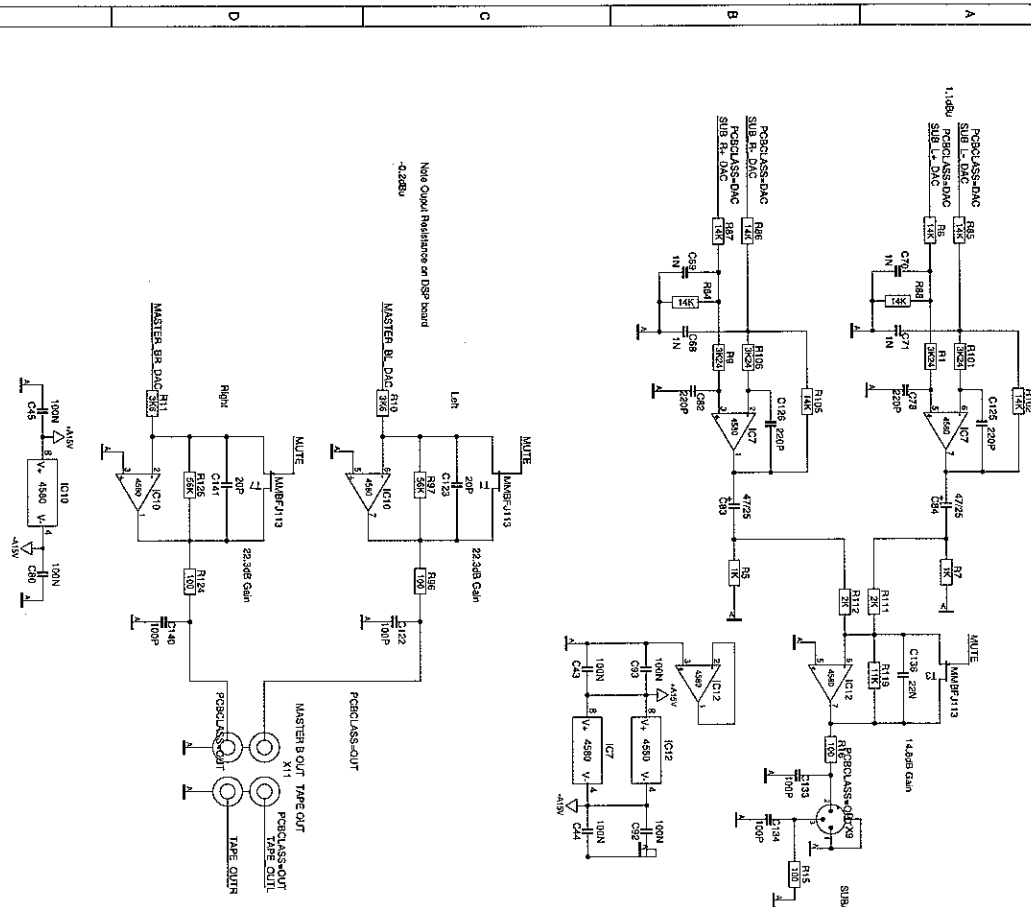


NO.	DATE	NAME	DESCRIPTION
1	09/02/08	CT	DESIGN
2	09/02/08	AB	APPROV
3	09/02/08	KT	CHKD
4	09/02/08	KT	CHKD
5	09/02/08	KT	CHKD
6	09/02/08	KT	CHKD
7	09/02/08	KT	CHKD
8	09/02/08	KT	CHKD
9	09/02/08	KT	CHKD
10	09/02/08	KT	CHKD
11	09/02/08	KT	CHKD
12	09/02/08	KT	CHKD
13	09/02/08	KT	CHKD
14	09/02/08	KT	CHKD
15	09/02/08	KT	CHKD
16	09/02/08	KT	CHKD
17	09/02/08	KT	CHKD
18	09/02/08	KT	CHKD
19	09/02/08	KT	CHKD
20	09/02/08	KT	CHKD
21	09/02/08	KT	CHKD
22	09/02/08	KT	CHKD
23	09/02/08	KT	CHKD
24	09/02/08	KT	CHKD
25	09/02/08	KT	CHKD
26	09/02/08	KT	CHKD
27	09/02/08	KT	CHKD
28	09/02/08	KT	CHKD
29	09/02/08	KT	CHKD
30	09/02/08	KT	CHKD
31	09/02/08	KT	CHKD
32	09/02/08	KT	CHKD
33	09/02/08	KT	CHKD
34	09/02/08	KT	CHKD
35	09/02/08	KT	CHKD
36	09/02/08	KT	CHKD
37	09/02/08	KT	CHKD
38	09/02/08	KT	CHKD
39	09/02/08	KT	CHKD
40	09/02/08	KT	CHKD
41	09/02/08	KT	CHKD
42	09/02/08	KT	CHKD
43	09/02/08	KT	CHKD
44	09/02/08	KT	CHKD
45	09/02/08	KT	CHKD
46	09/02/08	KT	CHKD
47	09/02/08	KT	CHKD
48	09/02/08	KT	CHKD
49	09/02/08	KT	CHKD
50	09/02/08	KT	CHKD
51	09/02/08	KT	CHKD
52	09/02/08	KT	CHKD
53	09/02/08	KT	CHKD
54	09/02/08	KT	CHKD
55	09/02/08	KT	CHKD
56	09/02/08	KT	CHKD
57	09/02/08	KT	CHKD
58	09/02/08	KT	CHKD
59	09/02/08	KT	CHKD
60	09/02/08	KT	CHKD
61	09/02/08	KT	CHKD
62	09/02/08	KT	CHKD
63	09/02/08	KT	CHKD
64	09/02/08	KT	CHKD
65	09/02/08	KT	CHKD
66	09/02/08	KT	CHKD
67	09/02/08	KT	CHKD
68	09/02/08	KT	CHKD
69	09/02/08	KT	CHKD
70	09/02/08	KT	CHKD
71	09/02/08	KT	CHKD
72	09/02/08	KT	CHKD
73	09/02/08	KT	CHKD
74	09/02/08	KT	CHKD
75	09/02/08	KT	CHKD
76	09/02/08	KT	CHKD
77	09/02/08	KT	CHKD
78	09/02/08	KT	CHKD
79	09/02/08	KT	CHKD
80	09/02/08	KT	CHKD
81	09/02/08	KT	CHKD
82	09/02/08	KT	CHKD
83	09/02/08	KT	CHKD
84	09/02/08	KT	CHKD
85	09/02/08	KT	CHKD
86	09/02/08	KT	CHKD
87	09/02/08	KT	CHKD
88	09/02/08	KT	CHKD
89	09/02/08	KT	CHKD
90	09/02/08	KT	CHKD
91	09/02/08	KT	CHKD
92	09/02/08	KT	CHKD
93	09/02/08	KT	CHKD
94	09/02/08	KT	CHKD
95	09/02/08	KT	CHKD
96	09/02/08	KT	CHKD
97	09/02/08	KT	CHKD
98	09/02/08	KT	CHKD
99	09/02/08	KT	CHKD
100	09/02/08	KT	CHKD

ALL INFORMATION INCLUDING DRAWINGS AND DIAGRAMS CONTAINED IN THIS DOCUMENT IS THE PROPERTY OF BEHNSERL, INC. AND IS TO BE KEPT IN STRICTLY CONFIDENTIAL. NO PART OF THIS DOCUMENT IS TO BE REPRODUCED OR TRANSMITTED IN ANY FORM OR BY ANY MEANS, ELECTRONIC OR MECHANICAL, INCLUDING PHOTOCOPYING, RECORDING, OR BY ANY INFORMATION STORAGE AND RETRIEVAL SYSTEM. WITHOUT THE WRITTEN PERMISSION OF BEHNSERL, INC. THIS DOCUMENT IS UNCLASSIFIED.

DATE: 09/02/08  
 NAME: KT  
 DESCRIPTION: MASTER A OUT

SHEET 2 OF 3



ALL INFORMATION INCLUDING DRAWINGS AND DIAGRAMS CONTAINED IN THIS DOCUMENT IS THE PROPERTY OF BERNIERI ADDRESSERS WHOM THE INFORMATION IS CONFERRED TO SHALL WARRANT THE INFORMATION IN COMPENSATION AND SHALL NOT BE RELEASED TO ANY OTHER PARTY WITHOUT THE WRITTEN PERMISSION OF BERNIERI ADDRESSERS. ANY REPRODUCTION OR TRANSMISSION OF THIS DOCUMENT WITHOUT THE WRITTEN PERMISSION OF BERNIERI ADDRESSERS IS PROHIBITED. ANY VIOLATION OF THIS NOTICE SHALL BE SUBJECT TO LEGAL ACTION.

REV.	CHANGES	DATE	INT. FILE	REAR
A	Design in TORCAD	23/10/06		
B	Part Design in DX	23/10/06		
C				
D				
E				
F				

NAME	DATE
P0167	19/10/06
Rear	

NAME	DATE
MASTER OUT B. SUB OUT	
TAPE OUT	