

**BEHRINGER**

PROJECT P0183  
EUROPOWER  
CHANNEL\_1

SHEET 1 OF 3 SHEETS TOTAL

---

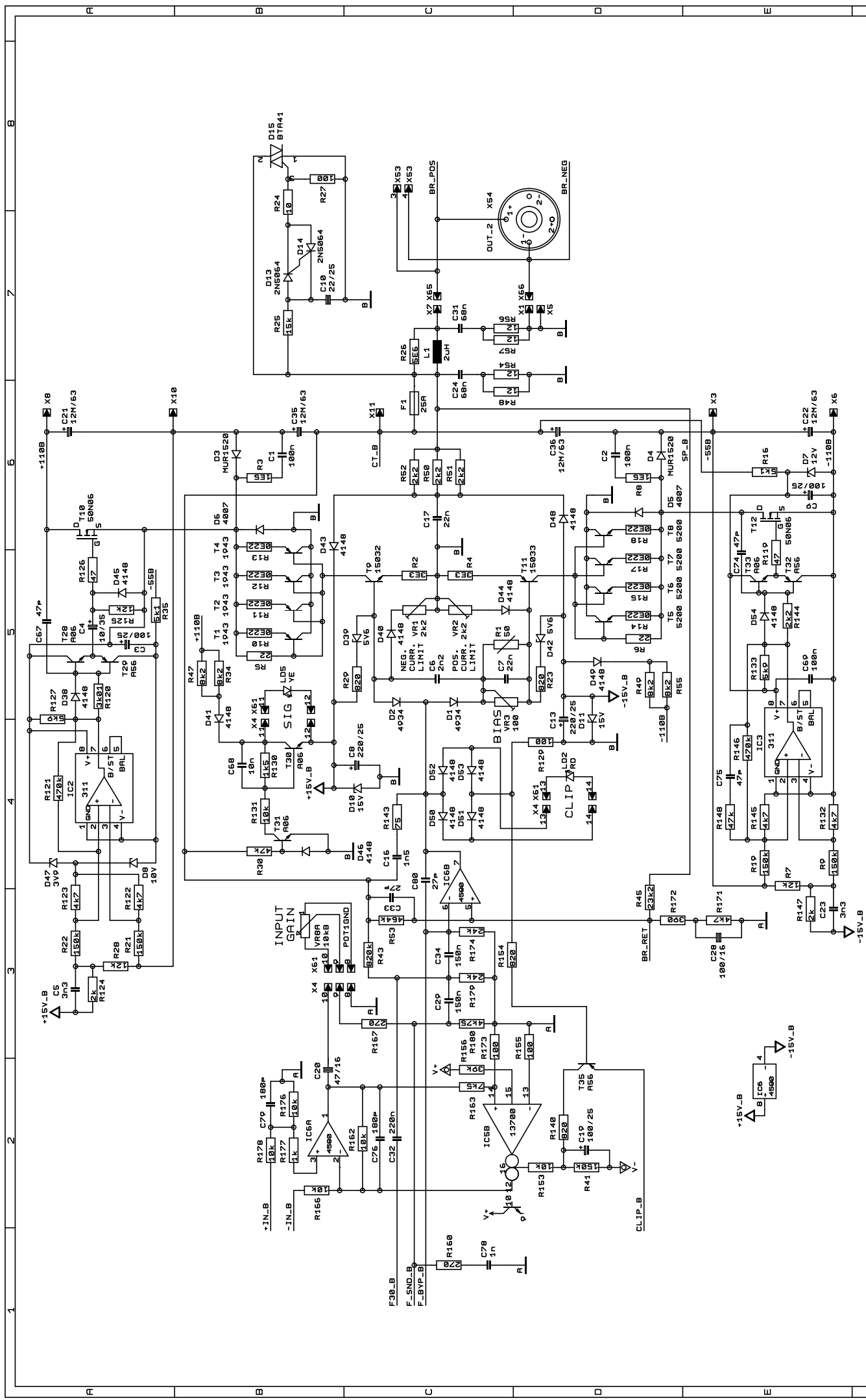
REVISIONS H (23/03/09)

| REV | DATE    | BY | CHECKED |
|-----|---------|----|---------|
|     | 27.10.9 |    |         |
|     | 10:05   |    |         |

DRAWN DF/SA

---

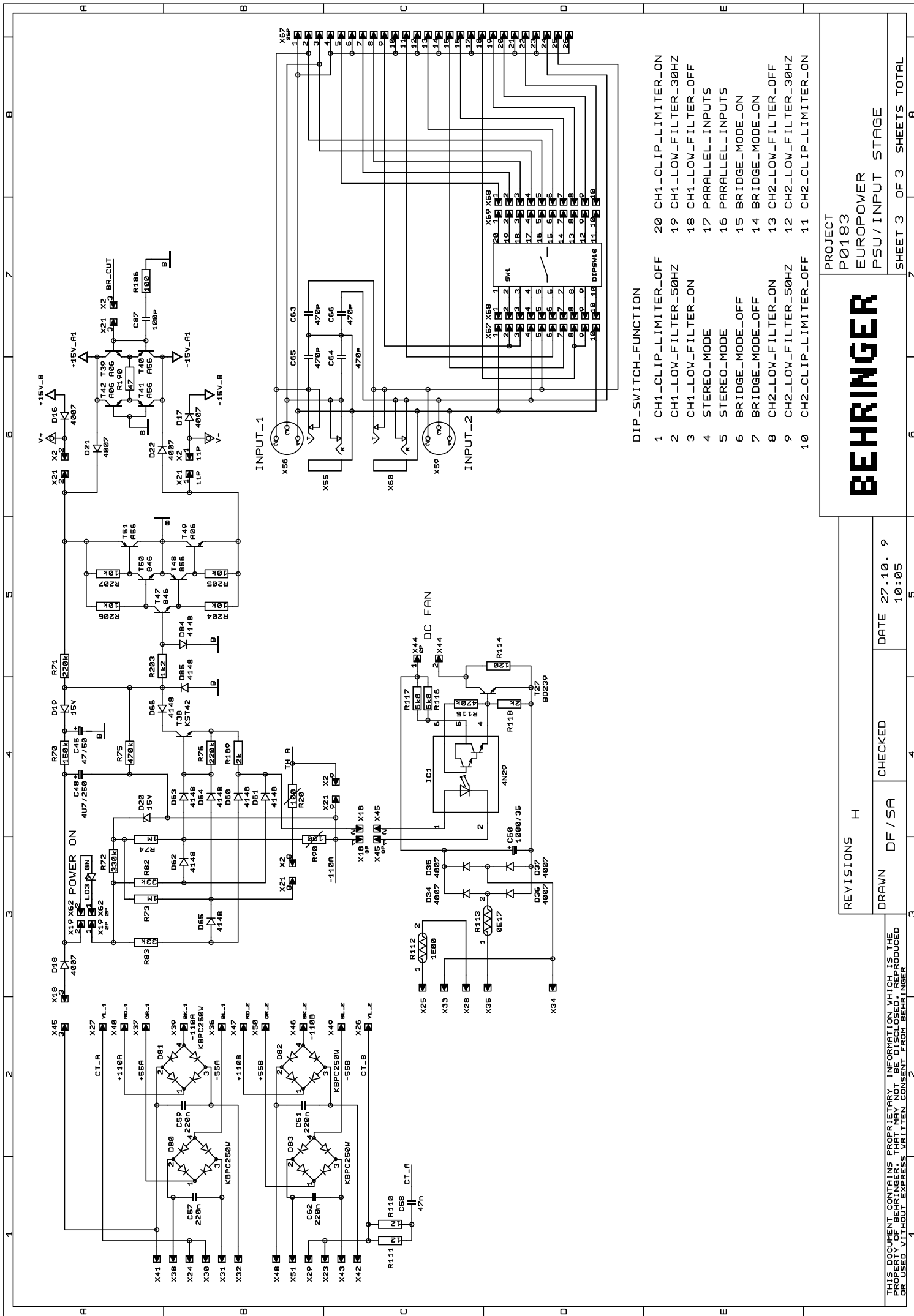
THIS DOCUMENT CONTAINS PROPRIETARY INFORMATION WHICH IS THE PROPERTY OF BEHRINGER. IT MAY NOT BE DISCLOSED, REPRODUCED OR USED WITHOUT EXPRESS WRITTEN CONSENT FROM BEHRINGER.



**BEHRINGER**  
 PROJECT P0183  
 EUROPOWER  
 CHANNEL\_2

|   |                        |
|---|------------------------|
| REVISIONS H<br>DRAWN DF / SA<br>CHECKED | DATE 27.10. 9<br>10:05 |
| SHEET 2 OF 3 SHEETS TOTAL               |                        |

THIS DOCUMENT CONTAINS PROPRIETARY INFORMATION WHICH IS THE PROPERTY OF BEHRINGER. IT MAY NOT BE DISCLOSED, REPRODUCED OR USED IN ANY MANNER WITHOUT EXPRESS WRITTEN CONSENT FROM BEHRINGER.



DIP\_SWITCH\_FUNCTION

- 1 CH1\_CLIP\_LIMITER\_OFF
- 2 CH1\_CLIP\_LIMITER\_ON
- 3 CH1\_LOW\_FILTER\_50HZ
- 4 CH1\_LOW\_FILTER\_ON
- 5 STEREO\_MODE
- 6 STEREO\_MODE
- 7 BRIDGE\_MODE\_OFF
- 8 BRIDGE\_MODE\_ON
- 9 CH2\_LOW\_FILTER\_50HZ
- 10 CH2\_LOW\_FILTER\_OFF
- 11 CH2\_CLIP\_LIMITER\_OFF
- 12 CH2\_CLIP\_LIMITER\_ON
- 13 CH2\_LOW\_FILTER\_30HZ
- 14 CH2\_LOW\_FILTER\_OFF
- 15 CH2\_LOW\_FILTER\_ON
- 16 PARALLEL\_INPUTS
- 17 PARALLEL\_INPUTS
- 18 BRIDGE\_MODE\_OFF
- 19 BRIDGE\_MODE\_ON
- 20 CH1\_CLIP\_LIMITER\_ON

PROJECT  
P0183  
EUROPOWER  
PSU/INPUT STAGE

# BEHRINGER

REVISIONS H

DATE 27.10. 9

CHECKED

DRAWN DF / SA

THIS DOCUMENT CONTAINS PROPRIETARY INFORMATION WHICH IS THE PROPERTY OF BEHRINGER. IT MAY NOT BE DISCLOSED, REPRODUCED OR USED IN ANY MANNER WITHOUT EXPRESS WRITTEN CONSENT FROM BEHRINGER.

SHEET 3 OF 3 SHEETS TOTAL