

PROJECT
P0195
EUROPOWER
CHANNEL_1

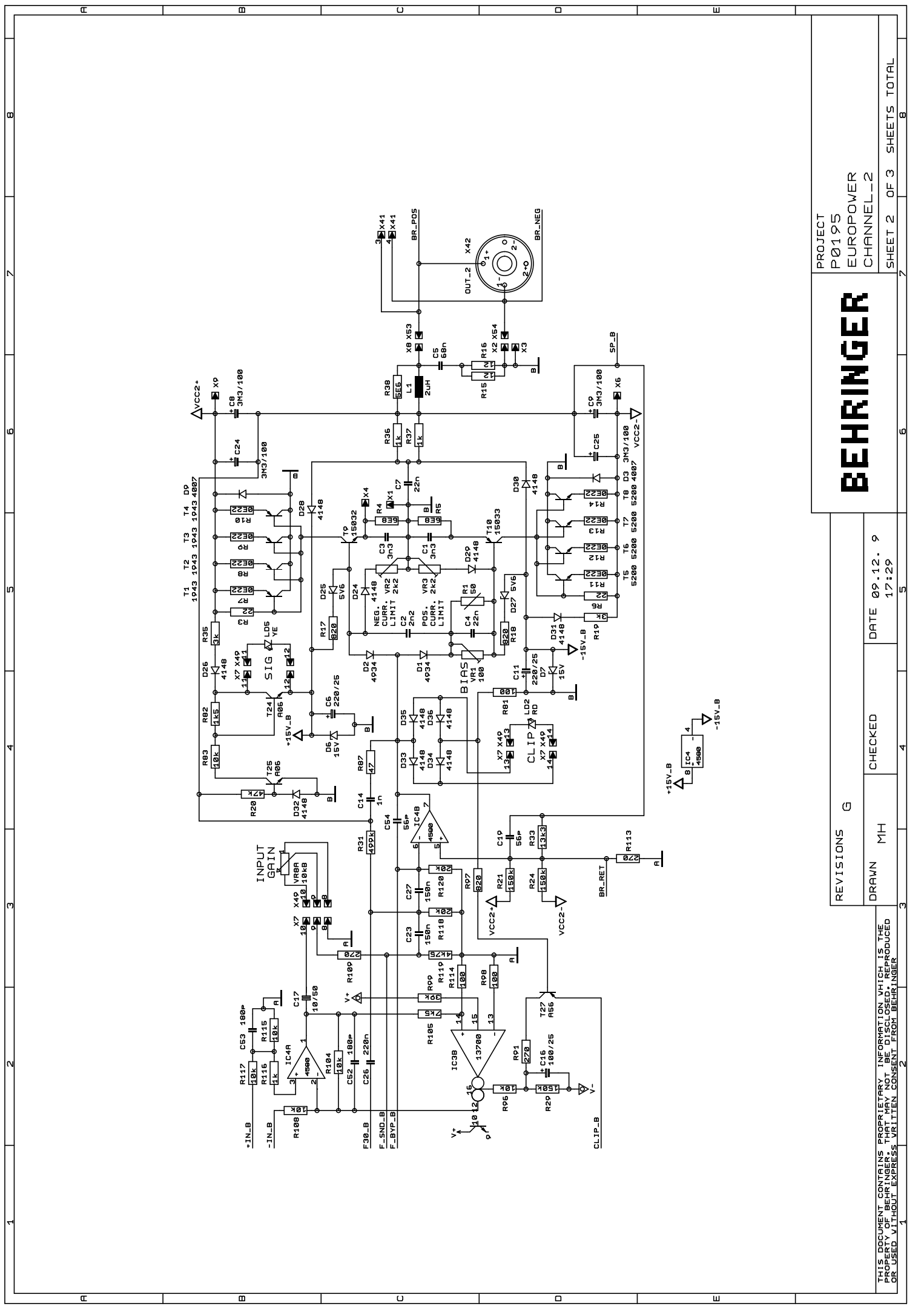
BEHRINGER

REVISIONS G (12/11/07)

DRAWN	MH	CHECKED	DATE 09.12. 9
			17:29

THIS DOCUMENT CONTAINS PROPRIETARY INFORMATION WHICH IS THE PROPERTY OF BEHRINGER. IT MAY NOT BE DISCLOSED, REPRODUCED OR USED IN ANY MANNER WITHOUT EXPRESS WRITTEN CONSENT FROM BEHRINGER.

SHEET 1 OF 3 SHEETS TOTAL



PROJECT
 P0195
 EUROPOWER
 CHANNEL-2

BEHRINGER

REVISIONS G

DRAWN MH

CHECKED

DATE 09.12.9

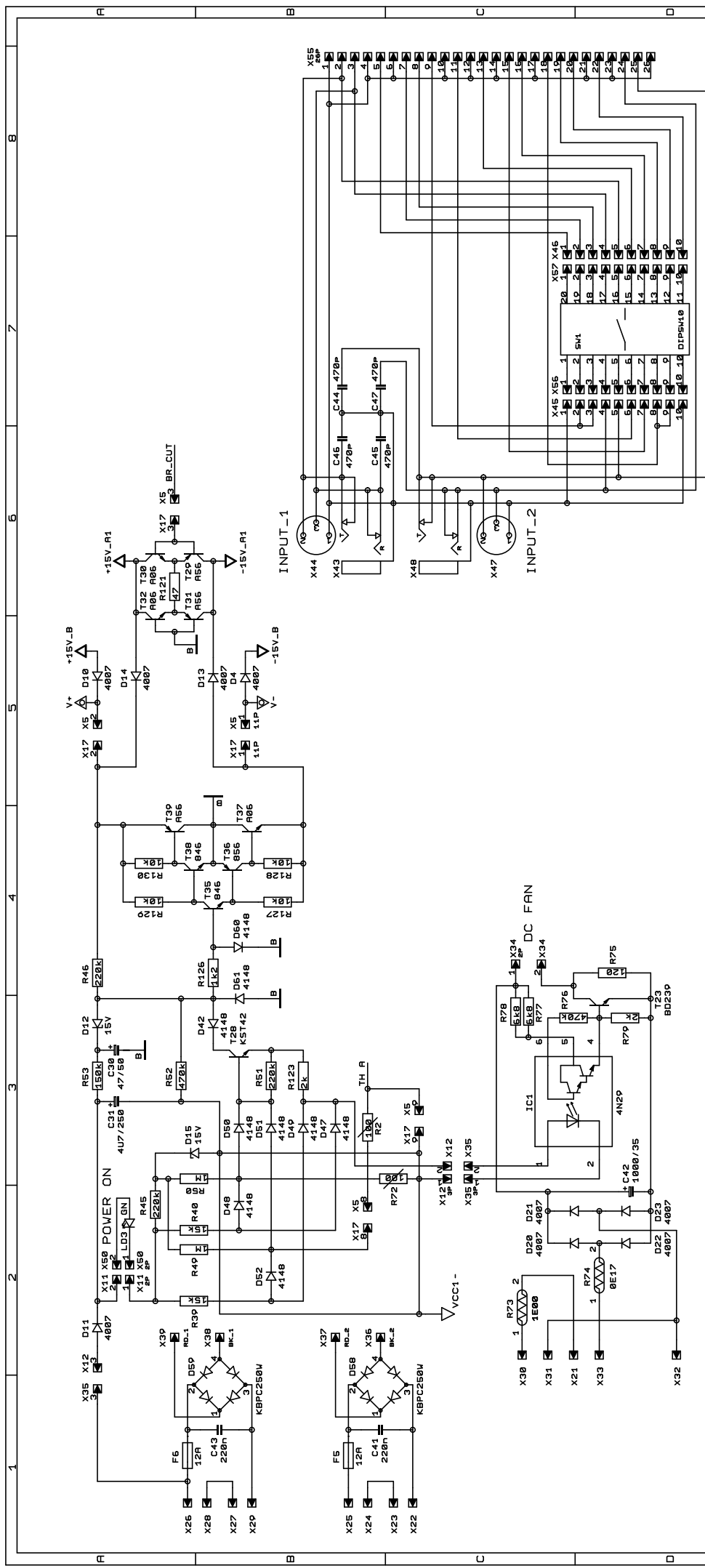
17:29

THIS DOCUMENT CONTAINS PROPRIETARY INFORMATION WHICH IS THE PROPERTY OF BEHRINGER. IT MAY NOT BE DISCLOSED, REPRODUCED OR USED WITHOUT EXPRESS WRITTEN CONSENT FROM BEHRINGER.

SHEET 2 OF 3 SHEETS TOTAL

1 2 3 4 5 6 7 8

A B C D E



DIP_SWITCH_FUNCTION

- 1 CH1_CLIP_LIMITER-OFF
- 2 CH1_CLIP_LIMITER-ON
- 3 CH1_LOW_FILTER-ON
- 4 STEREO_MODE
- 5 STEREO_MODE
- 6 BRIDGE_MODE-OFF
- 7 BRIDGE_MODE-OFF
- 8 CH2_LOW_FILTER-ON
- 9 CH2_LOW_FILTER-50HZ
- 10 CH2_CLIP_LIMITER-OFF
- 11 CH2_CLIP_LIMITER-ON
- 12 CH2_LOW_FILTER-30HZ
- 13 CH2_LOW_FILTER-OFF
- 14 BRIDGE_MODE-ON
- 15 BRIDGE_MODE-ON
- 16 PARALLEL-INPUTS
- 17 PARALLEL-INPUTS
- 18 CH1_LOW_FILTER-OFF
- 19 CH1_LOW_FILTER-30HZ
- 20 CH1_CLIP_LIMITER-ON

PROJECT
P0195
EUROPOWER
PSU/INPUT STAGE

BEHRINGER

REVISIONS G

DRAWN MH

CHECKED

DATE 09.12. 9
17:29

THIS DOCUMENT CONTAINS PROPRIETARY INFORMATION WHICH IS THE PROPERTY OF BEHRINGER. IT MAY NOT BE DISCLOSED, REPRODUCED OR USED IN ANY MANNER WITHOUT EXPRESS WRITTEN CONSENT FROM BEHRINGER.

SHEET 3 OF 3 SHEETS TOTAL