

REVISIONS E (14/08/03)

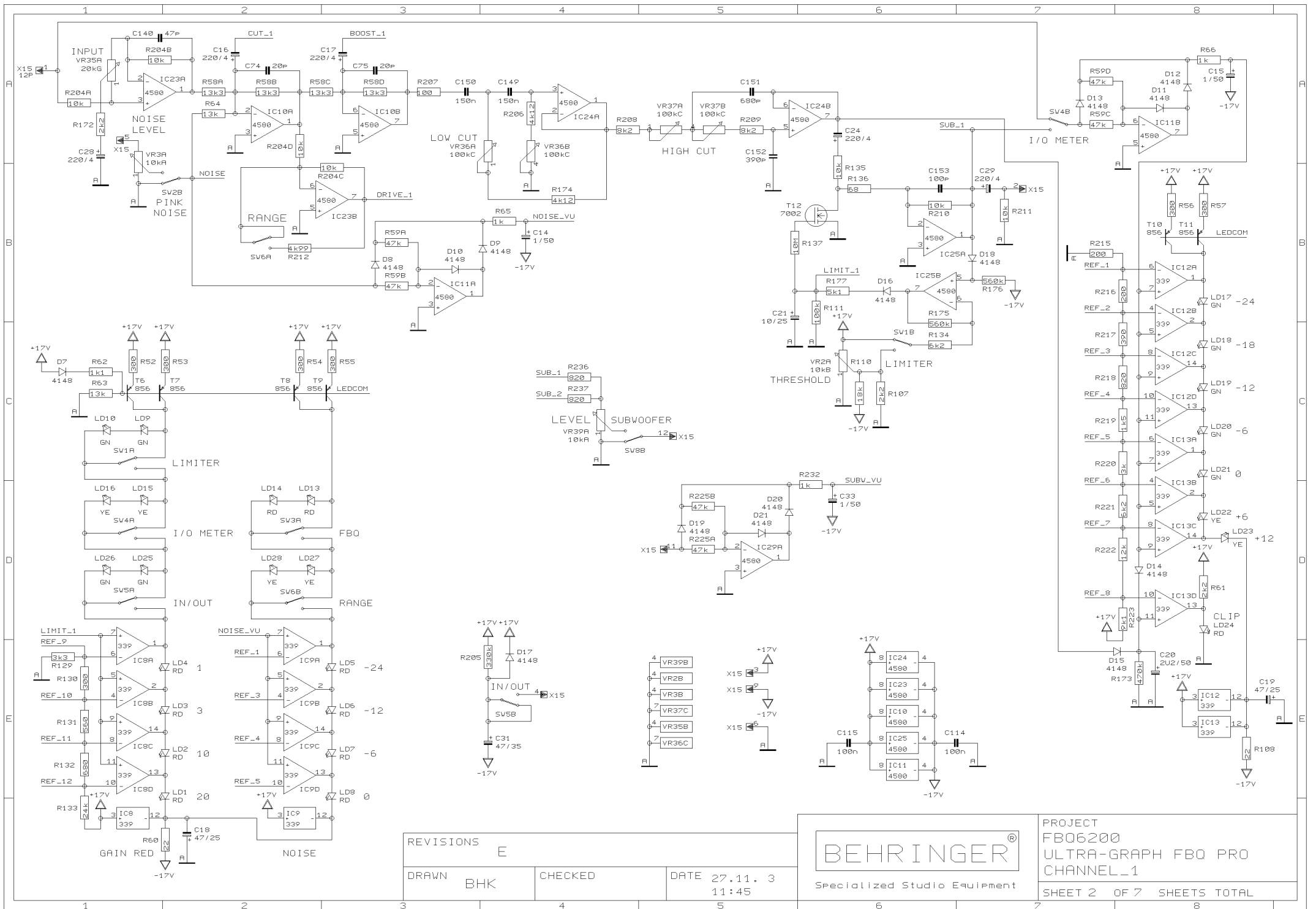
DRAWN BHK

CHECKED

DATE 27.11. 3
11:45



PROJECT
FBQ6200
ULTRA-GRAPH FBQ PRO
IN/OUT SECTION/PSU
SHEET 1 OF 7 SHEETS TOTAL

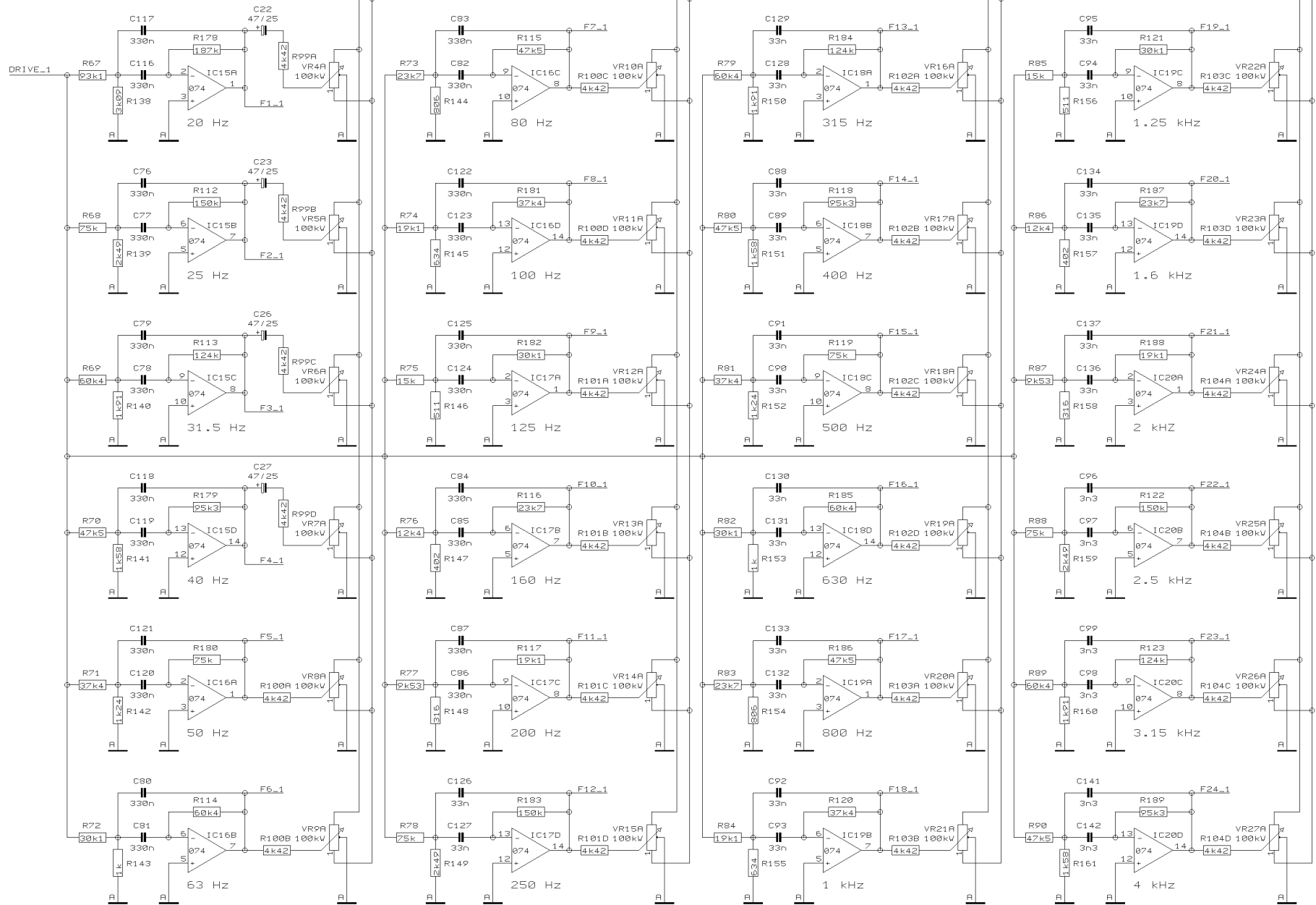


REVISIONS		E	
DRAWN	BHK	CHECKED	
DATE		27.11. 3	
		11:45	



PROJECT
 FB06200
 ULTRA-GRAPH FBO PRO
 CHANNEL_1
 SHEET 2 OF 7 SHEETS TOTAL

BOOST_1
CUT_1



REVISIONS

E

DRAWN

BHK

CHECKED

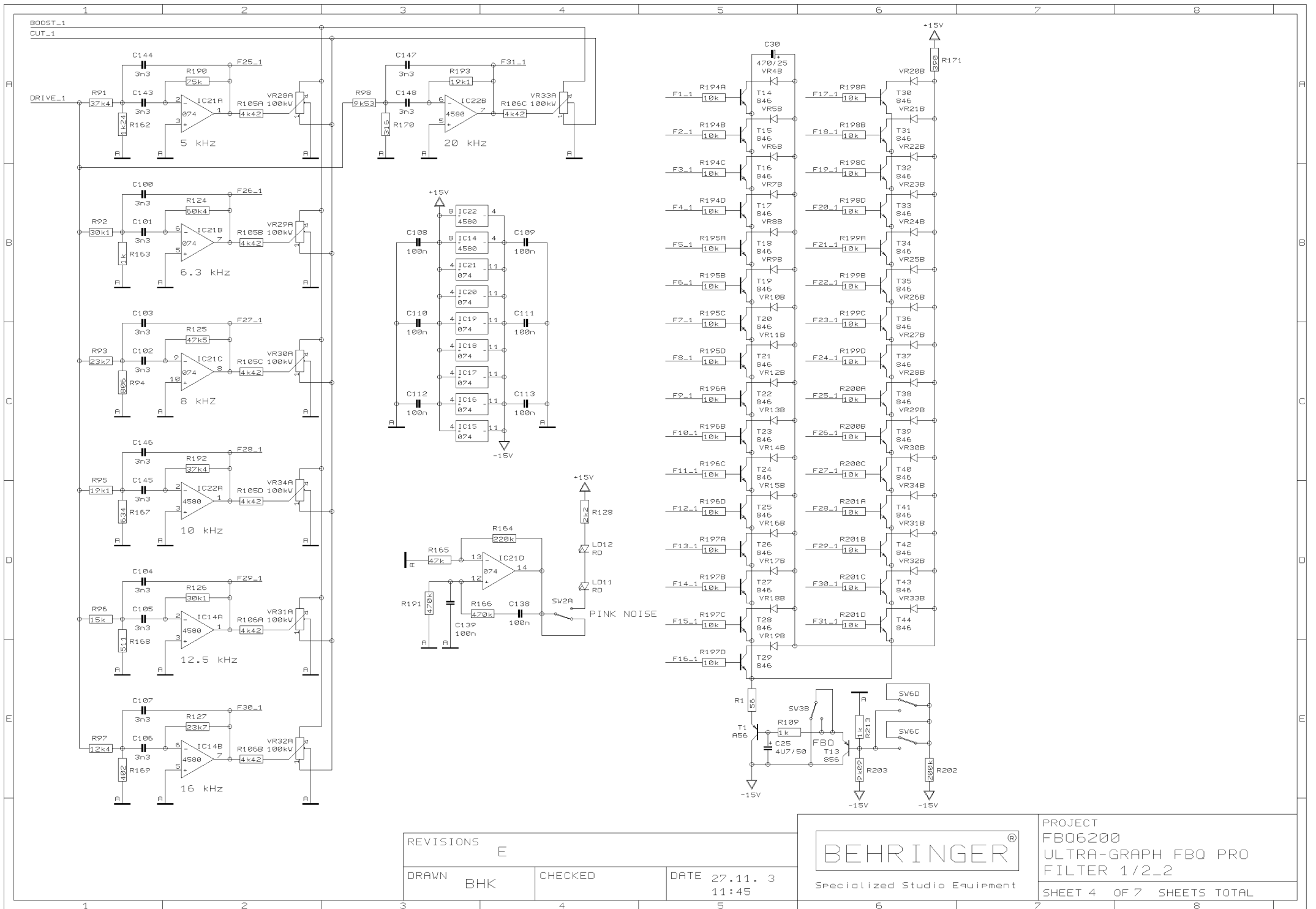
DATE 27.11. 3
11:45

BEHRINGER®

Specialized Studio Equipment

PROJECT
FB06200
ULTRA-GRAPH FBO PRO
FILTER 1/2_1

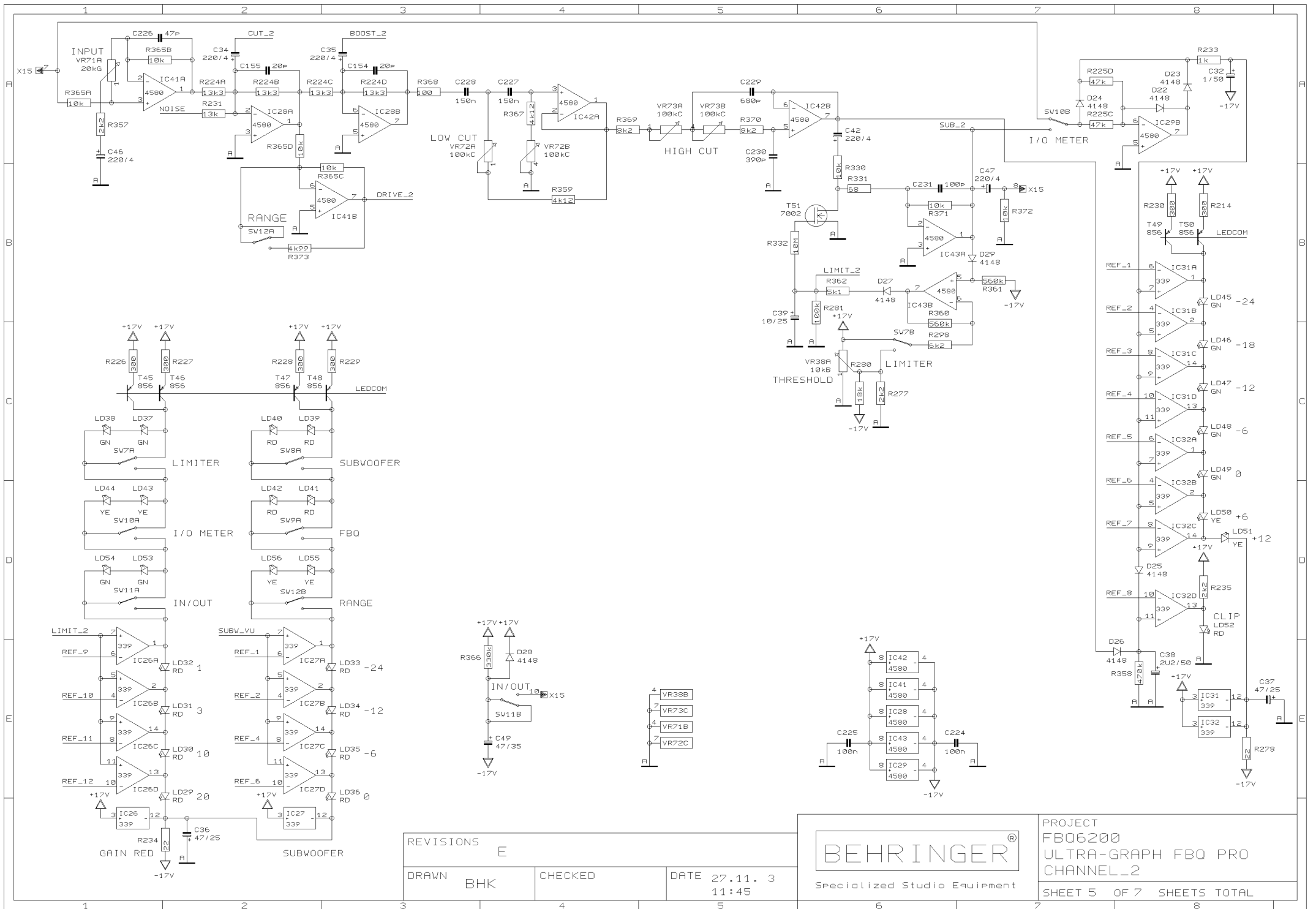
SHEET 3 OF 7 SHEETS TOTAL



REVISIONS		E	
DRAWN	BHK	CHECKED	DATE 27.11. 3 11:45


 Specialized Studio Equipment

PROJECT
 FB06200
 ULTRA-GRAPH FBQ PRO
 FILTER 1/2_2
 SHEET 4 OF 7 SHEETS TOTAL

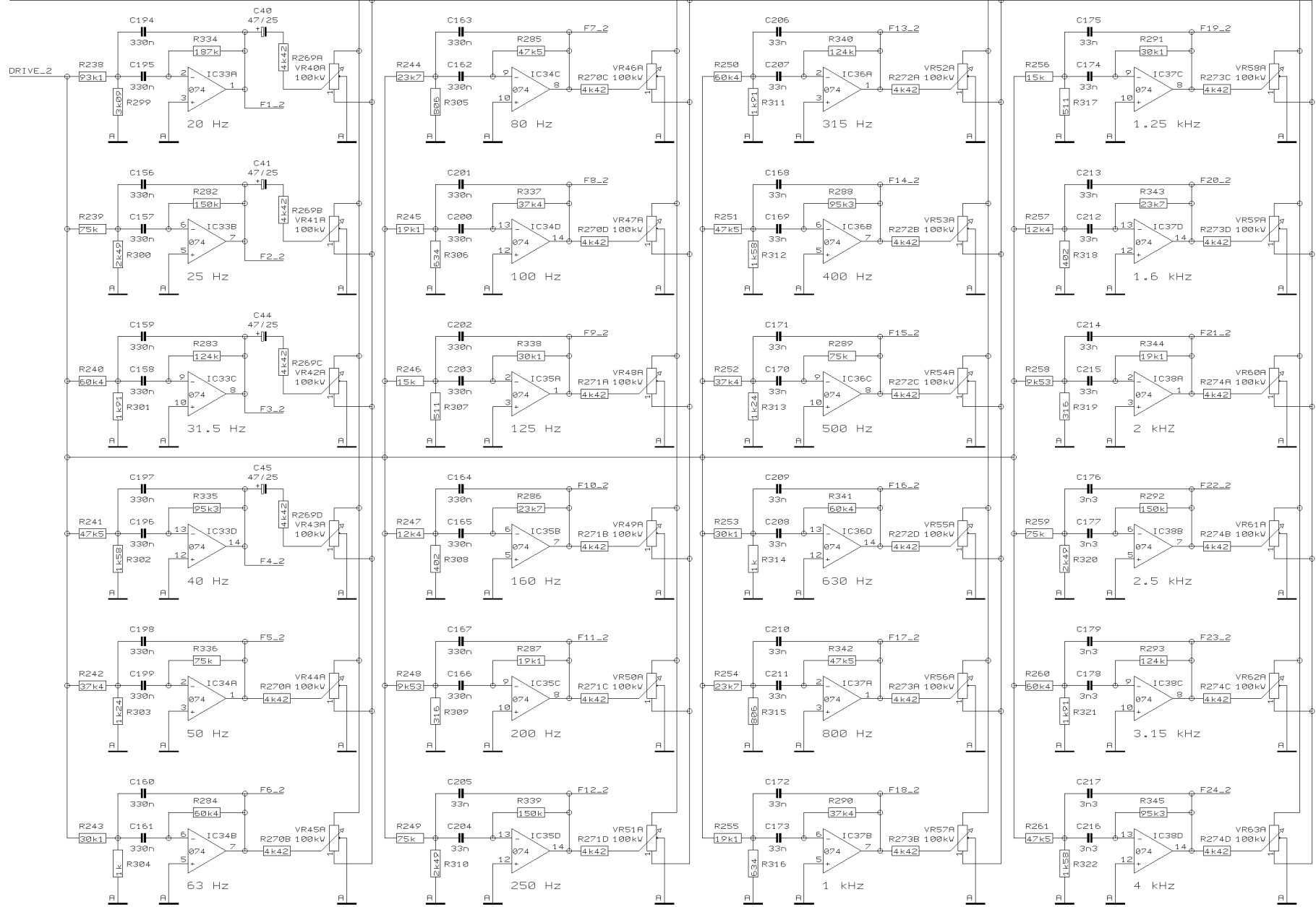


REVISIONS		
E		
DRAWN	BHK	CHECKED
DATE		27.11. 3
		11:45



PROJECT
 FB06200
 ULTRA-GRAPH FBO PRO
 CHANNEL_2
 SHEET 5 OF 7 SHEETS TOTAL

BOOST_2
CUT_2



REVISIONS

E

DRAWN

BHK

CHECKED

DATE 27.11. 3

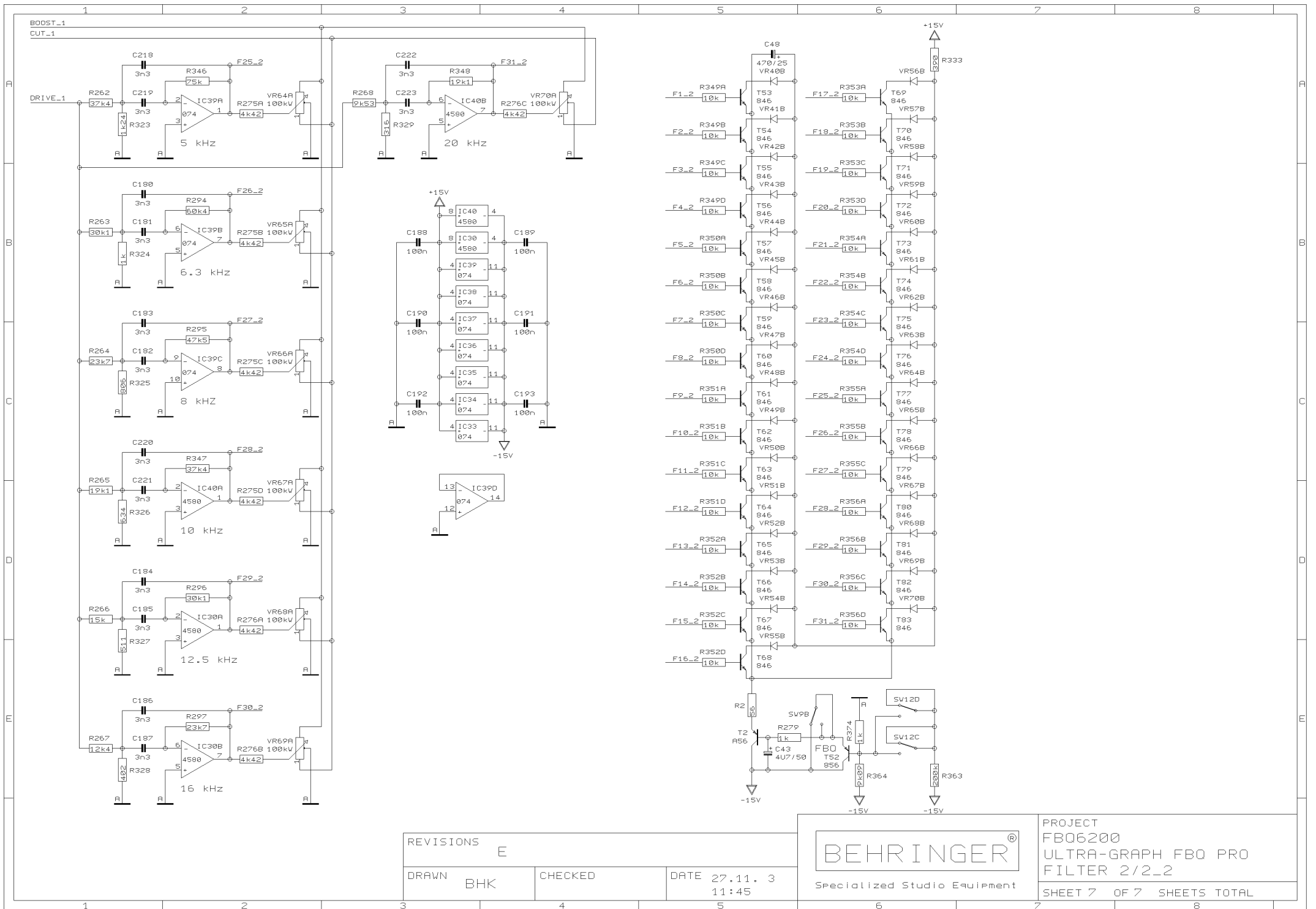
11:45



Specialized Studio Equipment

PROJECT
FB06200
ULTRA-GRAPH FBO PRO
FILTER 2/2_1

SHEET 6 OF 7 SHEETS TOTAL



REVISIONS		E	
DRAWN	BHK	CHECKED	DATE 27.11. 3 11:45



PROJECT
FB06200
ULTRA-GRAPH FBQ PRO
FILTER 2/2_2
SHEET 7 OF 7 SHEETS TOTAL