

Service Manual



iNUKE NU6000

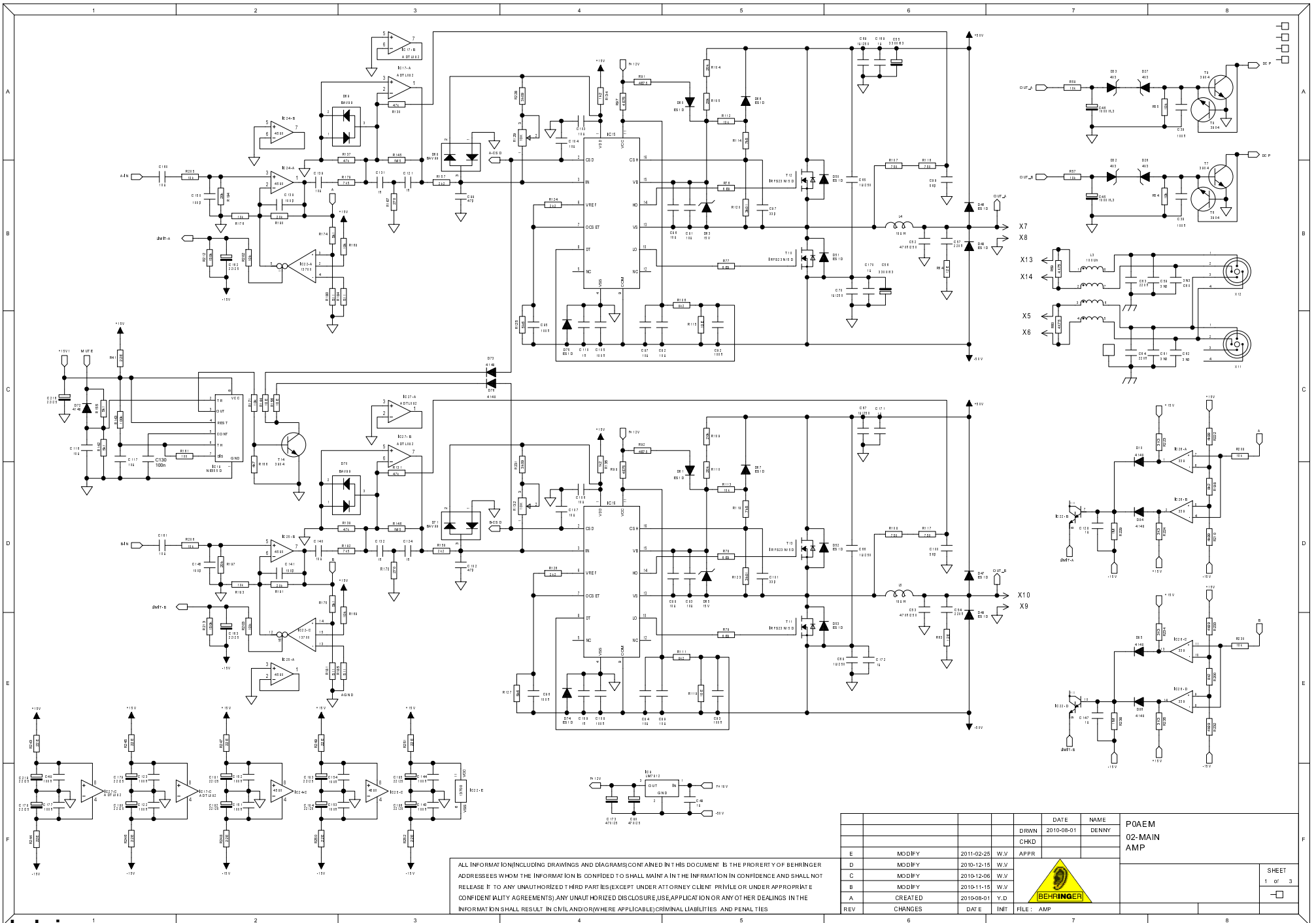
Ultra-Lightweight, High-Density 6000-Watt Power Amplifier

Specifications	2
PCB Schematic	3
Parts List	19
Exploded Drawing	34

iNUKE NU6000

Specifications

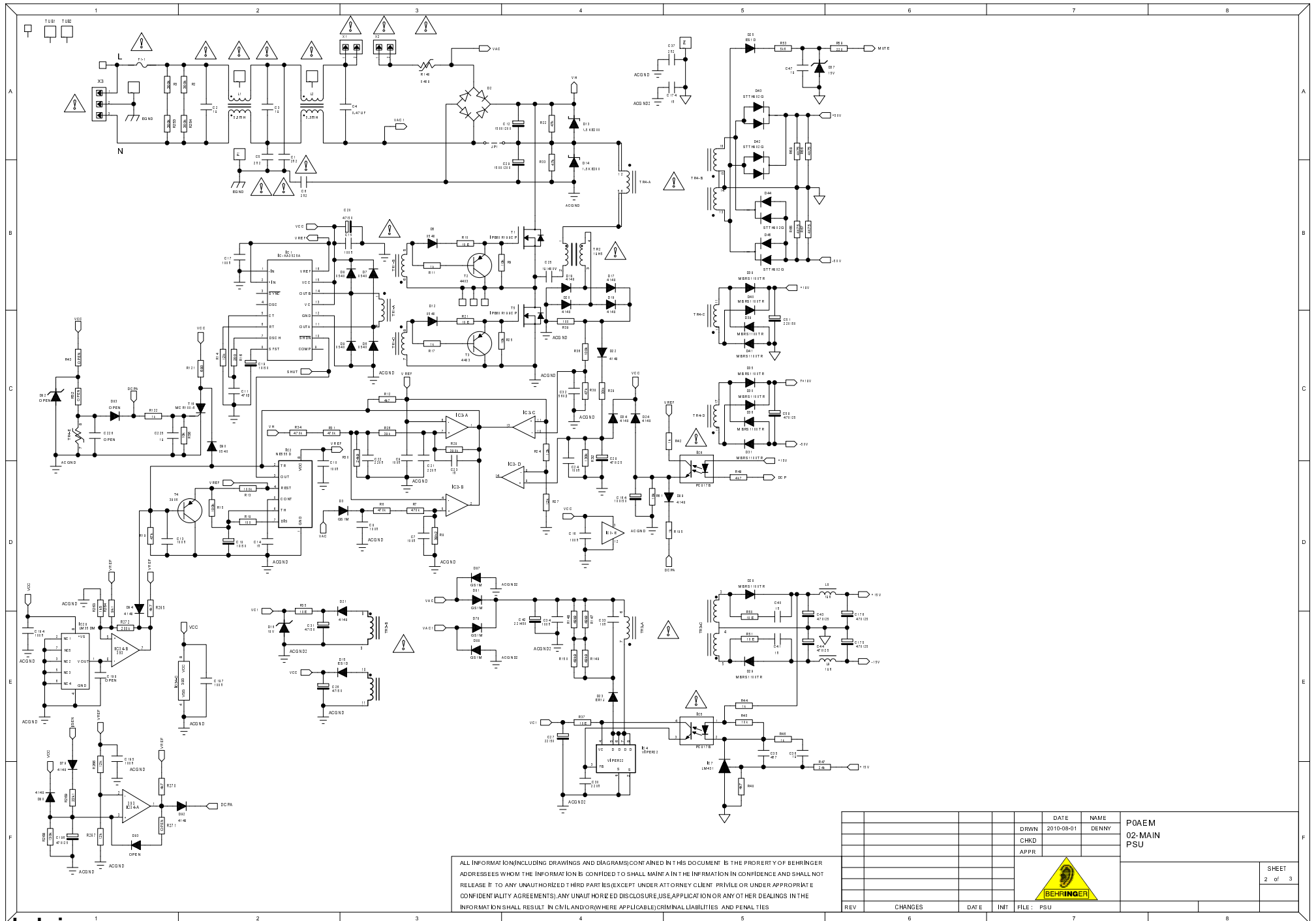
- Delivers 2 x 3000 Watts into 4 Ohms, 2 x 1500 Watts into 8 Ohms and weighs less than 12 lbs / 5.5 kg
- Ultimate reliability through revolutionary cool-running High-Density Class-D technology with "near-zero" thermal buildup
- Ultra-efficient switch-mode power supply for noise-free audio, superior transient response and low power consumption
- "Zero-Attack" limiters offer maximum output level with reliable overload protection
- Built-in Subwoofer/Satellite crossover for perfect subwoofer operation
- Detented and illuminated gain controls for precise level setting
- Precise 4-segment Signal and Limit LEDs to monitor performance
- XLR and 1/4" TRS combination input connectors for compatibility with any source
- Professional twist-lock speaker connectors for ultimate reliability
- Independent DC, LF and thermal overload protection on each channel automatically protects amplifier and speakers without shutting down the show
- "Back-to-front" ventilation system prevents thermal buildup for reliable operation
- High-quality components and exceptionally rugged construction ensure long life
- Conceived and designed by BEHRINGER Germany



ALL INFORMATION (INCLUDING DRAWINGS AND DIAGRAMS) CONTAINED IN THIS DOCUMENT IS THE PROPERTY OF BEHRINGER ADDRESSES WHOM THE INFORMATION IS CONFIDED TO SHALL MAINTAIN IN THE INFORMATION IN CONFIDENCE AND SHALL NOT RELEASE IT TO ANY UNAUTHORIZED THIRD PARTIES (EXCEPT UNDER ATTORNEY CLIENT PRIVILEGE OR UNDER APPROPRIATE CONFIDENTIALITY AGREEMENTS). ANY UNAUTHORIZED DISCLOSURE, USE, APPLICATION OR ANY OTHER DEALINGS IN THE INFORMATION SHALL RESULT IN CIVIL AND/OR (WHERE APPLICABLE) CRIMINAL LIABILITIES AND PENALTIES

REV	CHANGES	DATE	INIT	FILE	AMP	DATE	NAME	POAEM 02-MAIN AMP
						2010-08-01	Y.D.	
A	CREATED	2010-08-01						
B	MODIFY	2010-11-15						
C	MODIFY	2010-12-06						
D	MODIFY	2010-12-15						
E	MODIFY	2011-02-25						

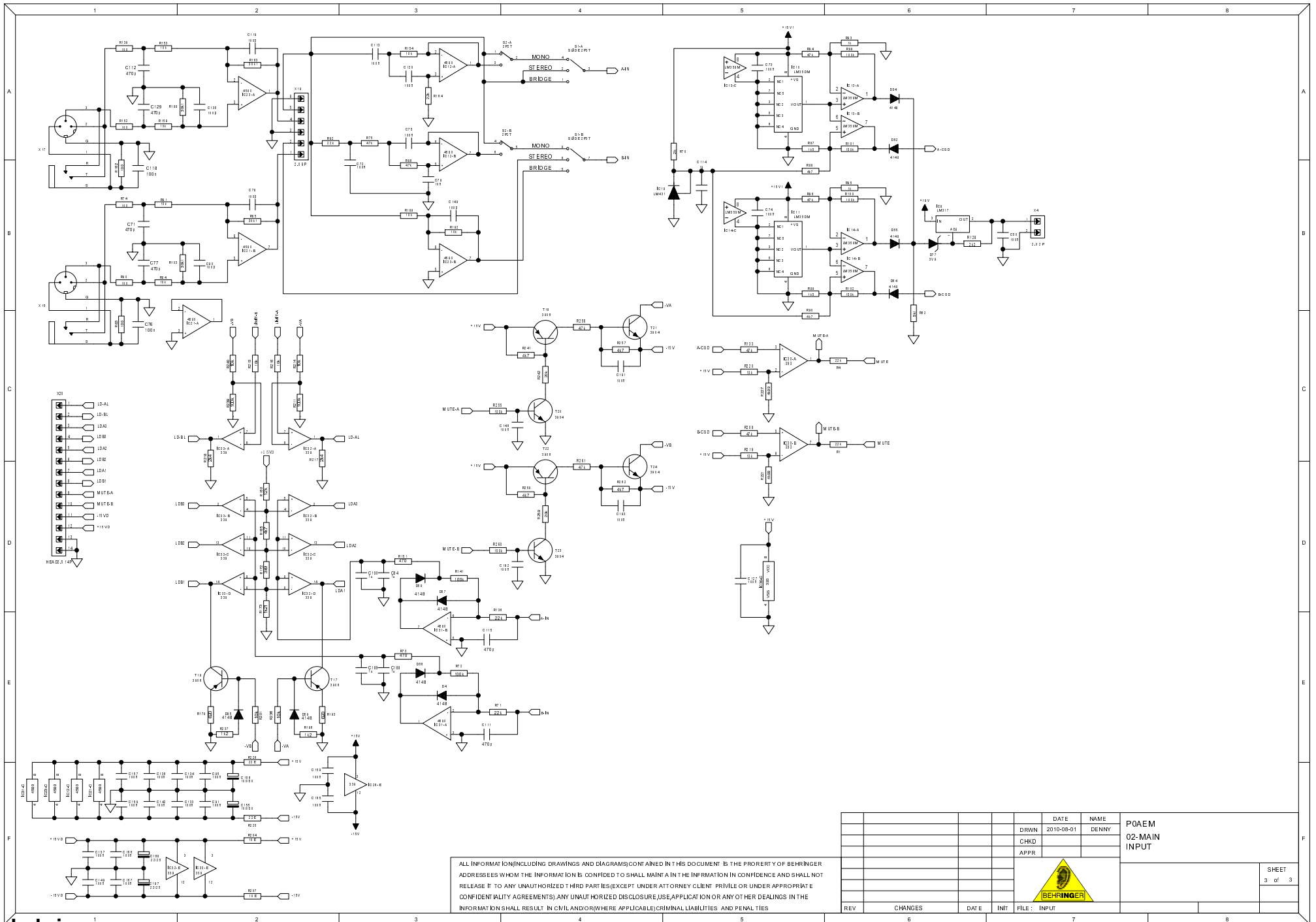




ALL INFORMATION (INCLUDING DRAWINGS AND DIAGRAMS) CONTAINED IN THIS DOCUMENT IS THE PROPERTY OF BEHRINGER ADDRESSES WHOM THE INFORMATION IS CONFIDED TO SHALL MAINTAIN THE INFORMATION IN CONFIDENCE AND SHALL NOT RELEASE IT TO ANY UNAUTHORIZED THIRD PARTIES (EXCEPT UNDER ATTORNEY CLIENT PRIVILEGE OR UNDER APPROPRIATE CONFIDENTIALITY AGREEMENTS). ANY UNAUTHORIZED DISCLOSURE, USE, APPLICATION OR ANY OTHER DEALINGS IN THE INFORMATION SHALL RESULT IN CIVIL AND/OR (WHERE APPLICABLE) CRIMINAL LIABILITIES AND PENALTIES.

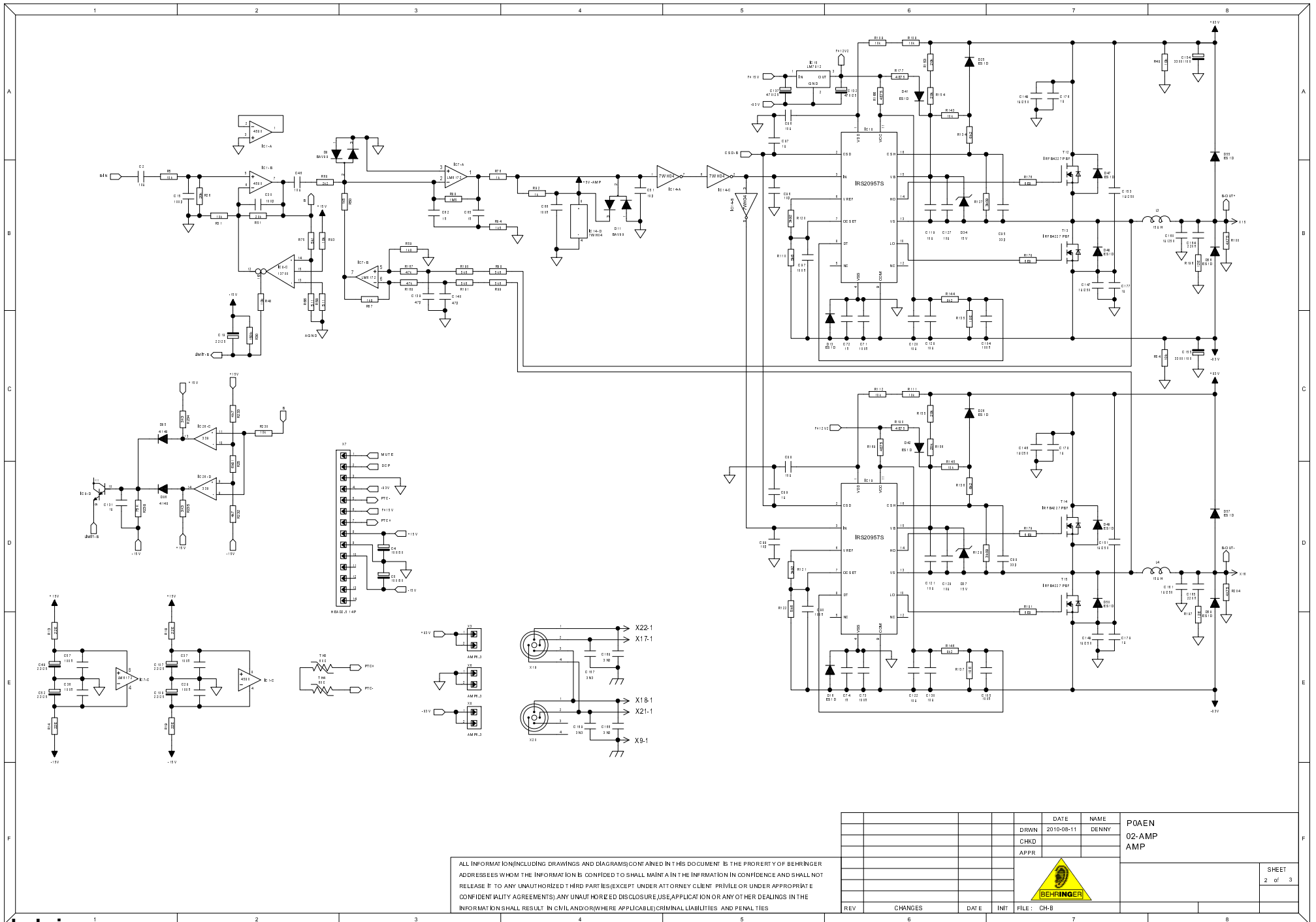
DATE	2018-08-01	NAME	DENNY	POAEM 02-MAIN PSU
DRWN				
CHKD				
APPR				
REV	CHANGES	DATE	INIT	FILE: PSU





ALL INFORMATION (INCLUDING DRAWINGS AND DIAGRAMS) CONTAINED IN THIS DOCUMENT IS THE PROPERTY OF BEHRINGER ADDRESSES WHOM THE INFORMATION IS CONFIDED TO SHALL MAINTAIN THE INFORMATION IN CONFIDENCE AND SHALL NOT RELEASE IT TO ANY UNAUTHORIZED THIRD PARTIES (EXCEPT UNDER ATTORNEY CLIENT PRIVILEGE OR UNDER APPROPRIATE CONFIDENTIALITY AGREEMENTS). ANY UNAUTHORIZED DISCLOSURE, USE, APPLICATION OR ANY OTHER DEALINGS IN THE INFORMATION SHALL RESULT IN CIVIL AND/OR (WHERE APPLICABLE) CRIMINAL LIABILITIES AND PENALTIES.

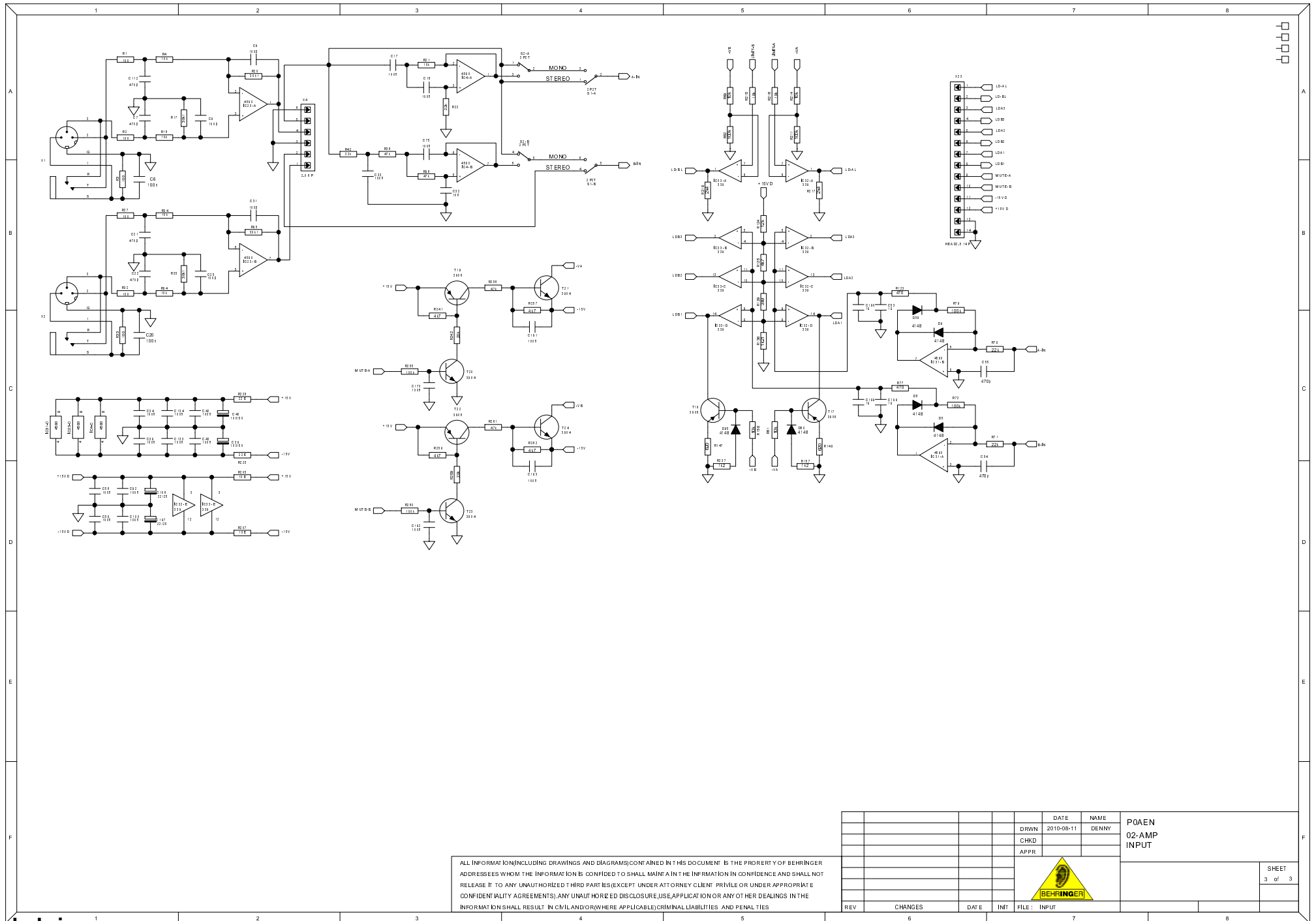
REV	CHANGES	DATE	INIT	FILE: INP.UPT	DATE	NAME	POAEM 02-MAIN INPUT	SHEET 3 of 3



ALL INFORMATION (INCLUDING DRAWINGS AND DIAGRAMS) CONTAINED IN THIS DOCUMENT IS THE PROPERTY OF BEHRINGER ADDRESSES WHOM THE INFORMATION IS CONFIDED TO SHALL MAINTAIN THE INFORMATION IN CONFIDENCE AND SHALL NOT RELEASE IT TO ANY UNAUTHORIZED THIRD PARTIES (EXCEPT UNDER ATTORNEY CLIENT PRIVILEGE OR UNDER APPROPRIATE CONFIDENTIALITY AGREEMENTS). ANY UNAUTHORIZED DISCLOSURE, USE, APPLICATION OR ANY OTHER DEALINGS IN THE INFORMATION SHALL RESULT IN CIVIL AND/OR (WHERE APPLICABLE) CRIMINAL LIABILITIES AND PENALTIES.

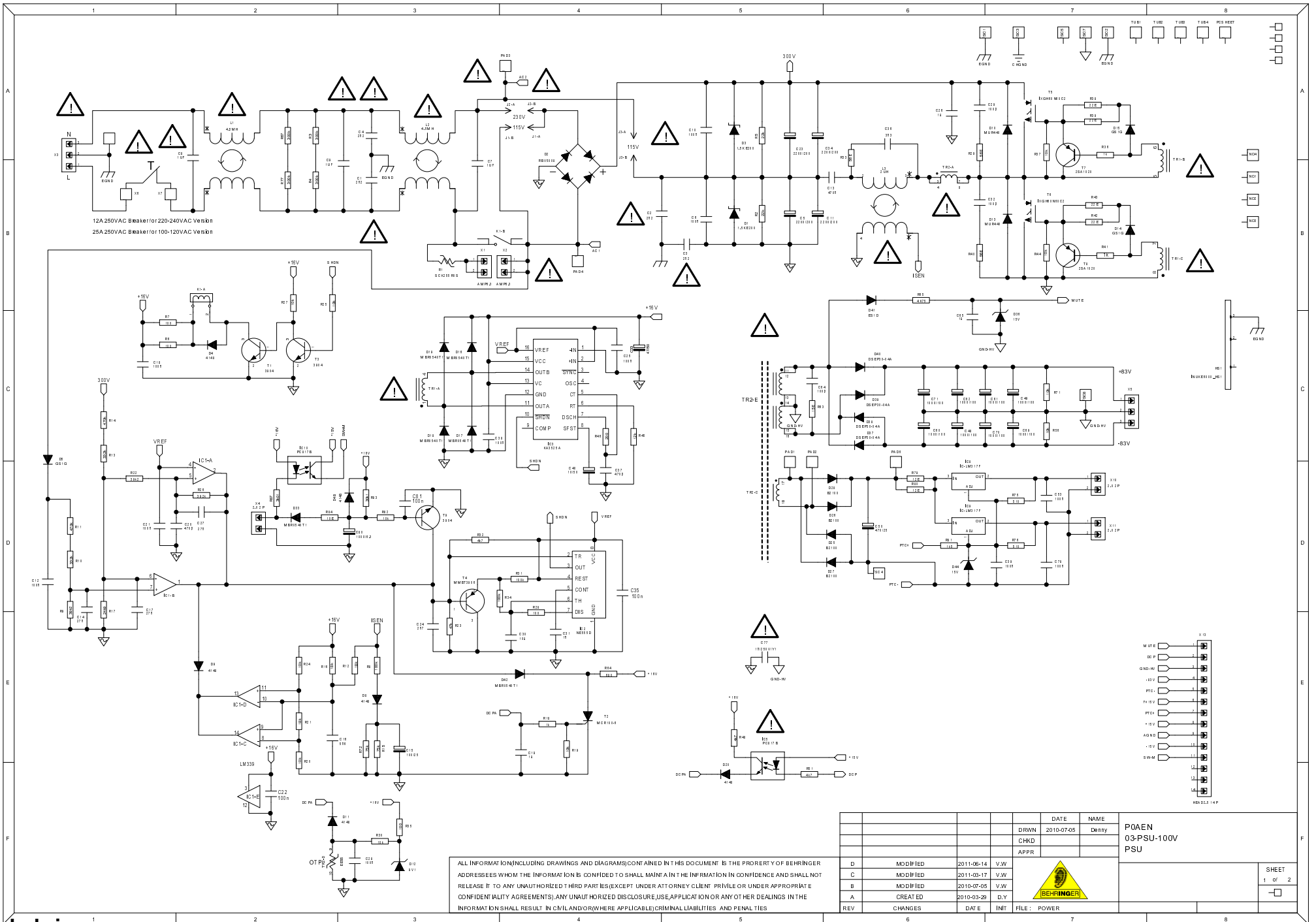
DATE	2018-08-11	NAME	DENNY	POAEN 02-AMP AMP
DRWN				
CHKD				
APPR				
REV	CHANGES	DATE	INIT	FILE: CH-B





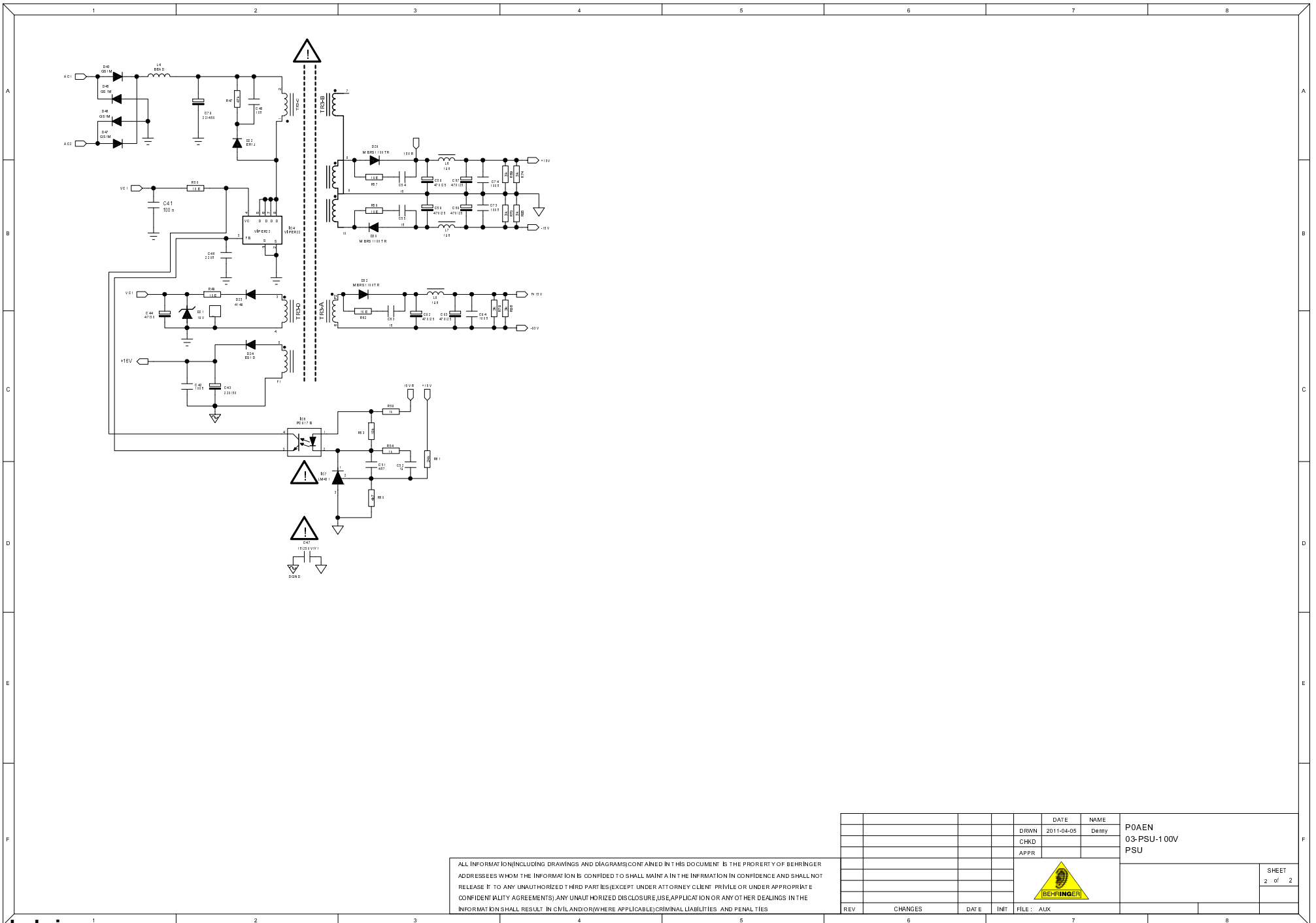
ALL INFORMATION (INCLUDING DRAWINGS AND DIAGRAMS) CONTAINED IN THIS DOCUMENT IS THE PROPERTY OF BEHRINGER ADDRESSES WHOM THE INFORMATION IS CONFIDED TO SHALL MAINTAIN THE INFORMATION IN CONFIDENCE AND SHALL NOT RELEASE IT TO ANY UNAUTHORIZED THIRD PARTIES (EXCEPT UNDER ATTORNEY CLIENT PRIVILEGE OR UNDER APPROPRIATE CONFIDENTIALITY AGREEMENTS). ANY UNAUTHORIZED DISCLOSURE, USE, APPLICATION OR ANY OTHER DEALINGS IN THE INFORMATION SHALL RESULT IN CIVIL AND/OR (WHERE APPLICABLE) CRIMINAL LIABILITIES AND PENALTIES.

REV	CHANGES	DATE	INIT	FILE: INPUT	DATE	NAME	POAEN 02-AMP INPUT	SHEET 3 of 3
					2010-08-11	BENNY		



ALL INFORMATION (INCLUDING DRAWINGS AND DIAGRAMS) CONTAINED IN THIS DOCUMENT IS THE PROPERTY OF BEHRINGER ADDRESSES WHOM THE INFORMATION IS CONFIDED TO SHALL MAINTAIN THE INFORMATION IN CONFIDENCE AND SHALL NOT RELEASE IT TO ANY UNAUTHORIZED THIRD PARTIES (EXCEPT UNDER ATTORNEY CLIENT PRIVILEGE OR UNDER APPROPRIATE CONFIDENTIALITY AGREEMENTS). ANY UNAUTHORIZED DISCLOSURE, USE, APPLICATION OR ANY OTHER DEALINGS IN THE INFORMATION SHALL RESULT IN CIVIL AND/OR (WHERE APPLICABLE) CRIMINAL LIABILITIES AND PENALTIES.

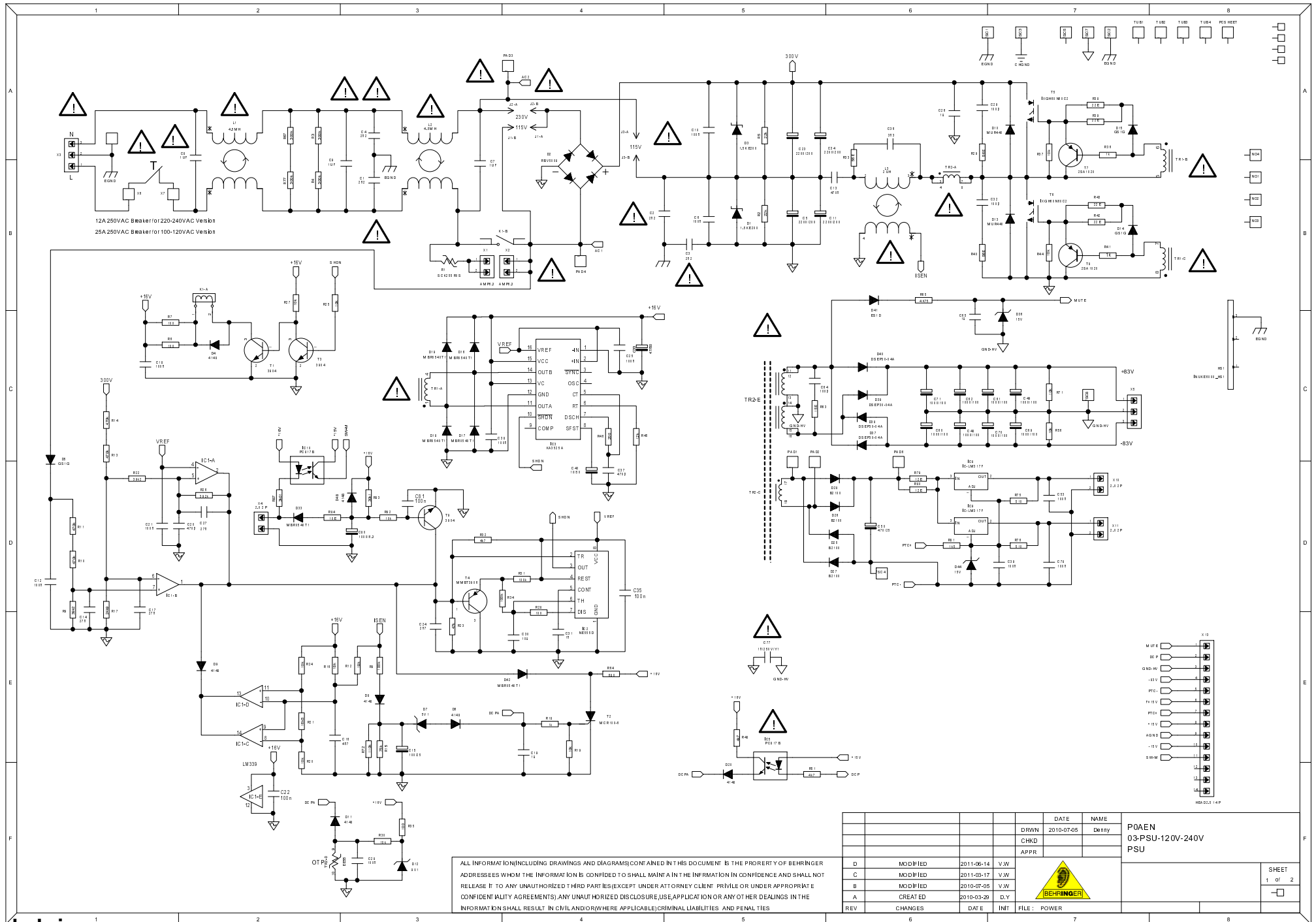
REV	CHANGES	DATE	INIT	FILE	POWER	DATE	NAME	POAEN 03-PSU-100V PSU	SHEET 1 of 2
D	MODIFIED	2011-06-14	V.W.						
C	MODIFIED	2011-03-17	V.W.						
B	MODIFIED	2010-07-05	V.W.						
A	CREATED	2010-03-20	D.Y.						



ALL INFORMATION (INCLUDING DRAWINGS AND DIAGRAMS) CONTAINED IN THIS DOCUMENT IS THE PROPERTY OF BEHRINGER ADDRESSES WHOM THE INFORMATION IS CONFIDED TO SHALL MAINTAIN THE INFORMATION IN CONFIDENCE AND SHALL NOT RELEASE IT TO ANY UNAUTHORIZED THIRD PARTIES (EXCEPT UNDER ATTORNEY CLIENT PRIVILEGE OR UNDER APPROPRIATE CONFIDENTIALITY AGREEMENTS). ANY UNAUTHORIZED DISCLOSURE, USE, APPLICATION OR ANY OTHER DEALINGS IN THE INFORMATION SHALL RESULT IN CIVIL AND/OR (WHERE APPLICABLE) CRIMINAL LIABILITIES AND PENALTIES

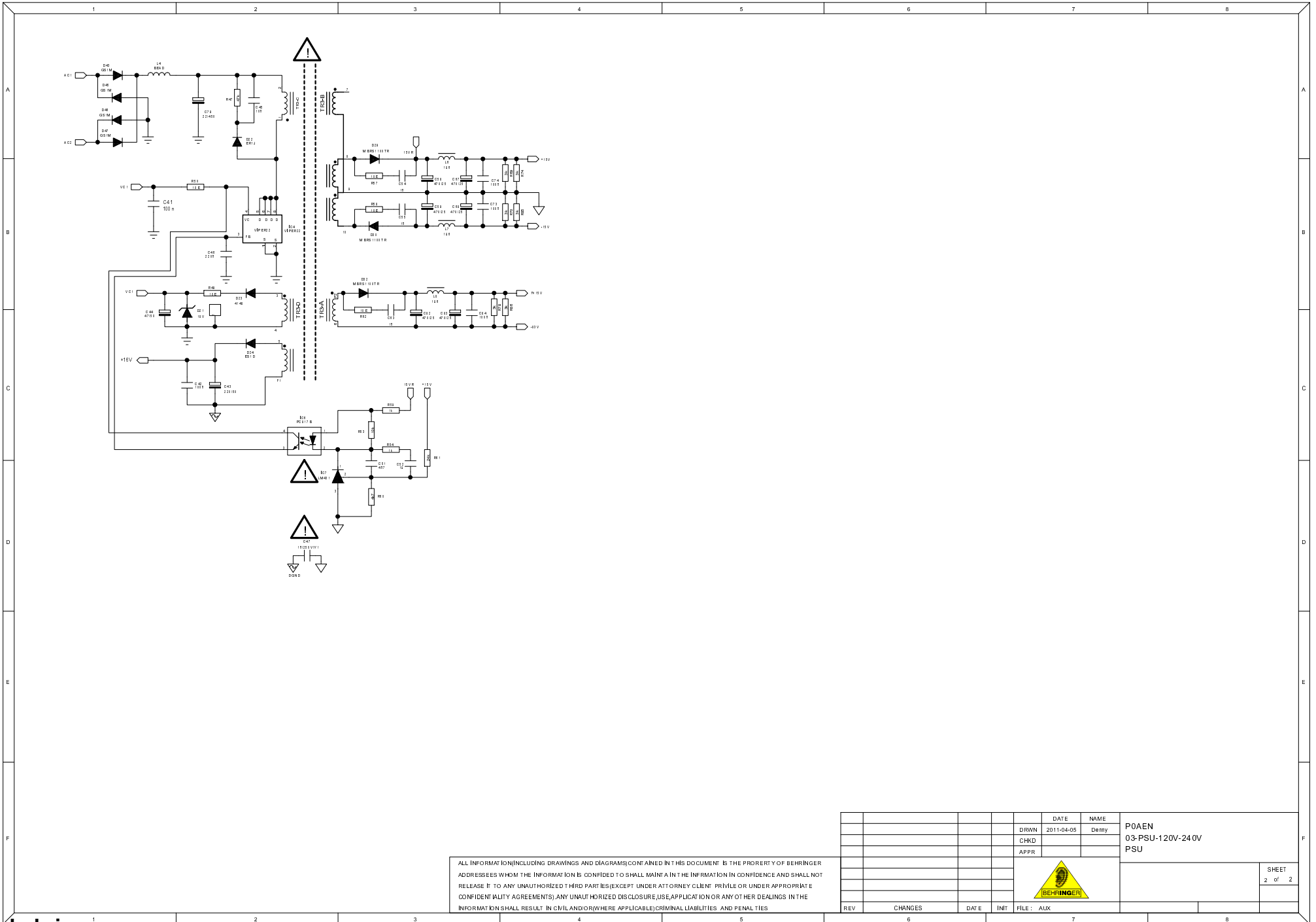
DRWN	2011-04-05	NAME	Demmy	P0AEN 03-PSU-100V PSU	SHEET 2 of 2
CHKD					
APPR					
REV	CHANGES	DATE	INIT	FILE: AUX	





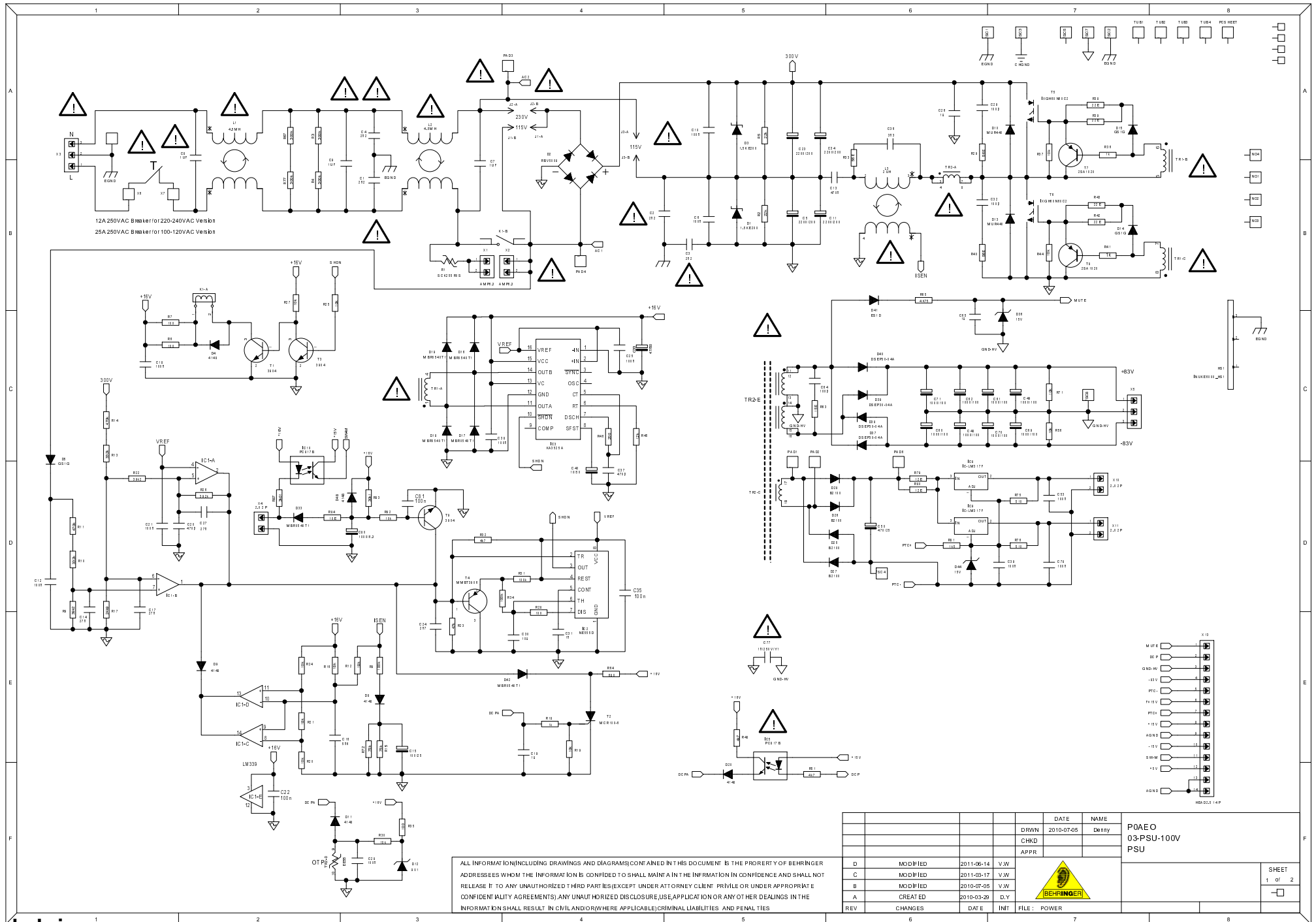
ALL INFORMATION (INCLUDING DRAWINGS AND DIAGRAMS) CONTAINED IN THIS DOCUMENT IS THE PROPERTY OF BEHRINGER ADDRESSES WHOM THE INFORMATION IS CONFIDED TO SHALL MAINTAIN THE INFORMATION IN CONFIDENCE AND SHALL NOT RELEASE IT TO ANY UNAUTHORIZED THIRD PARTIES (EXCEPT UNDER ATTORNEY CLIENT PRIVILEGE OR UNDER APPROPRIATE CONFIDENTIALITY AGREEMENTS). ANY UNAUTHORIZED DISCLOSURE, USE, APPLICATION OR ANY OTHER DEALINGS IN THE INFORMATION SHALL RESULT IN CIVIL AND/OR (WHERE APPLICABLE) CRIMINAL LIABILITIES AND PENALTIES

REV	CHANGES	DATE	INIT	FILE	POWER	DATE	NAME	POAEN 03-PSU-120V-240V PSU	SHEET 1 of 2
D	MODIFIED	2011-06-14	V.W.			DRWN	2010-07-05	Deniny	
C	MODIFIED	2011-03-17	V.W.			CHKD			
B	MODIFIED	2010-07-05	V.W.			APPR			
A	CREATED	2010-03-20	D.Y.						



ALL INFORMATION (INCLUDING DRAWINGS AND DIAGRAMS) CONTAINED IN THIS DOCUMENT IS THE PROPERTY OF BEHRINGER ADDRESSEES WHOM THE INFORMATION IS CONFIDED TO SHALL MAINTAIN THE INFORMATION IN CONFIDENCE AND SHALL NOT RELEASE IT TO ANY UNAUTHORIZED THIRD PARTIES (EXCEPT UNDER ATTORNEY CLIENT PRIVILEGE OR UNDER APPROPRIATE CONFIDENTIALITY AGREEMENTS). ANY UNAUTHORIZED DISCLOSURE, USE, APPLICATION OR ANY OTHER DEALINGS IN THE INFORMATION SHALL RESULT IN CIVIL AND/OR (WHERE APPLICABLE) CRIMINAL LIABILITIES AND PENALTIES

REV	CHANGES	DATE	INIT	FILE: AUX	DATE	NAME	P0AEN 03-PSU-120V-240V PSU	SHEET 2 of 2
					2011-04-05	Demmy		



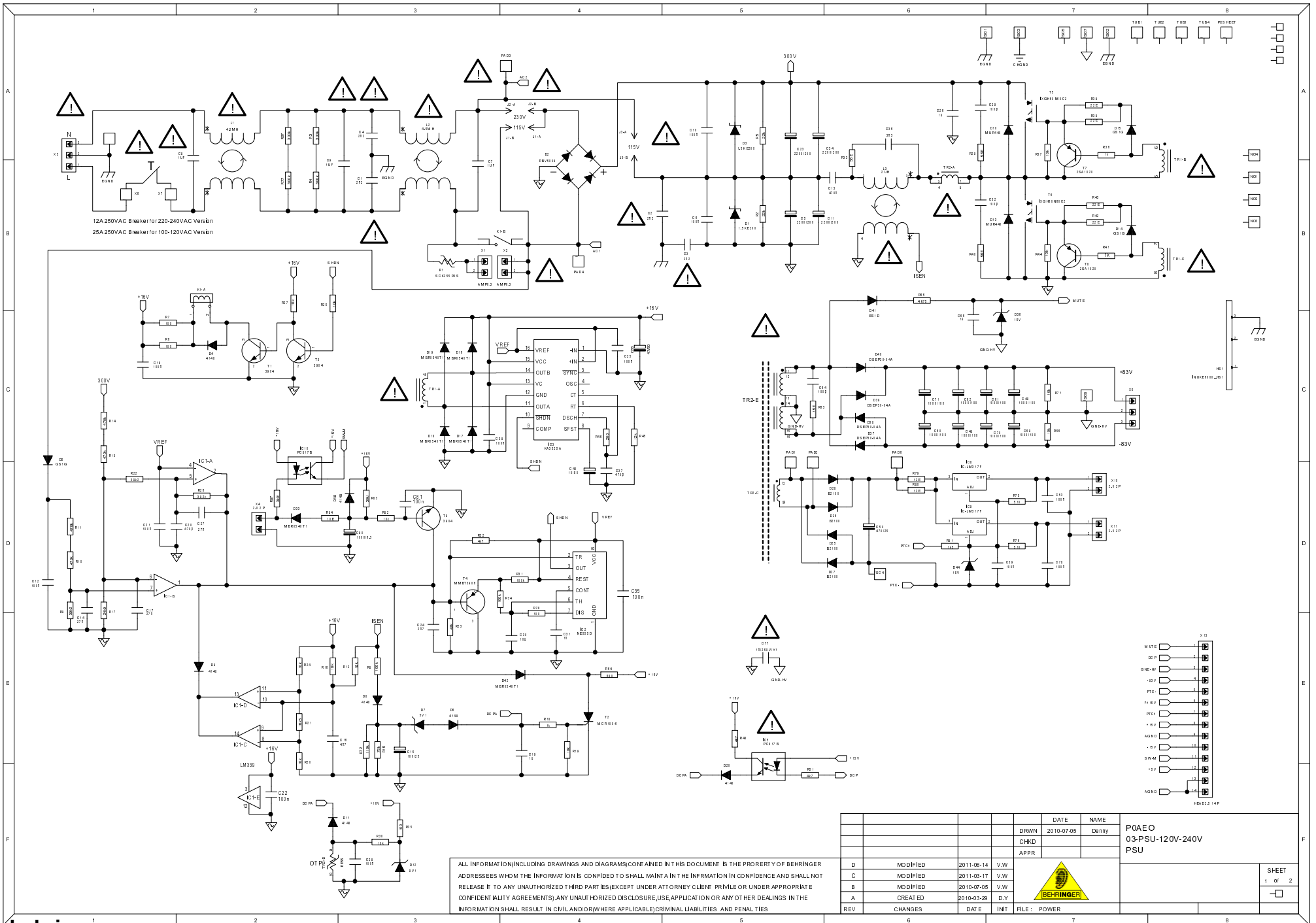
ALL INFORMATION (INCLUDING DRAWINGS AND DIAGRAMS) CONTAINED IN THIS DOCUMENT IS THE PROPERTY OF BEHRINGER ADDRESSES WHOM THE INFORMATION IS CONFIDED TO SHALL MAINTAIN THE INFORMATION IN CONFIDENCE AND SHALL NOT RELEASE IT TO ANY UNAUTHORIZED THIRD PARTIES (EXCEPT UNDER ATTORNEY CLIENT PRIVILEGE OR UNDER APPROPRIATE CONFIDENTIALITY AGREEMENTS). ANY UNAUTHORIZED DISCLOSURE, USE, APPLICATION OR ANY OTHER DEALINGS IN THE INFORMATION SHALL RESULT IN CIVIL AND/OR (WHERE APPLICABLE) CRIMINAL LIABILITIES AND PENALTIES.

REV	CHANGES	DATE	INIT	FILE	POWER
D	MODIFIED	2011-06-14	V.W.		
C	MODIFIED	2011-03-17	V.W.		
B	MODIFIED	2010-07-05	V.W.		
A	CREATED	2010-03-20	D.Y.		

DATE	NAME	DRWN	CHKD	APPR
2010-07-05	DeIvity			

P0AEO	03-PSU-100V	PSU
-------	-------------	-----

SHEET	1 of 2
-------	--------



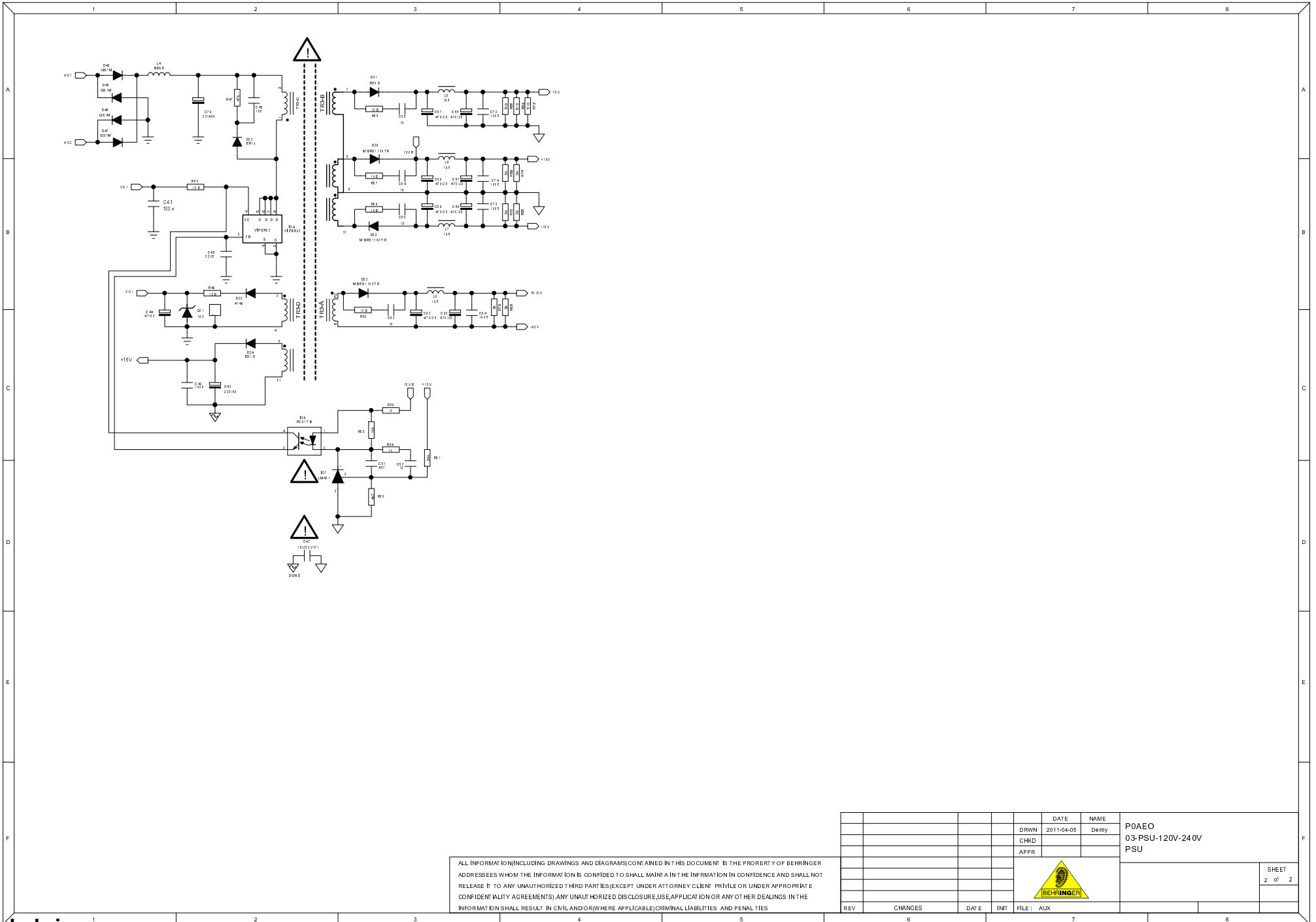
ALL INFORMATION (INCLUDING DRAWINGS AND DIAGRAMS) CONTAINED IN THIS DOCUMENT IS THE PROPERTY OF BEHRINGER ADDRESSES WHOM THE INFORMATION IS CONFIDED TO SHALL MAINTAIN THE INFORMATION IN CONFIDENCE AND SHALL NOT RELEASE IT TO ANY UNAUTHORIZED THIRD PARTIES (EXCEPT UNDER ATTORNEY CLIENT PRIVILEGE OR UNDER APPROPRIATE CONFIDENTIALITY AGREEMENTS). ANY UNAUTHORIZED DISCLOSURE, USE, APPLICATION OR ANY OTHER DEALINGS IN THE INFORMATION SHALL RESULT IN CIVIL AND/OR (WHERE APPLICABLE) CRIMINAL LIABILITIES AND PENALTIES

REV	CHANGES	DATE	INIT	FILE	POWER
D	MODIFIED	2011-06-14	V.W.		
C	MODIFIED	2011-03-17	V.W.		
B	MODIFIED	2010-07-05	V.W.		
A	CREATED	2010-03-20	D.Y.		

DATE	NAME	DRWN	CHKD	APPR
2010-07-05	Deniny			

P0AEO	03-PSU-120V-240V	PSU
-------	------------------	-----

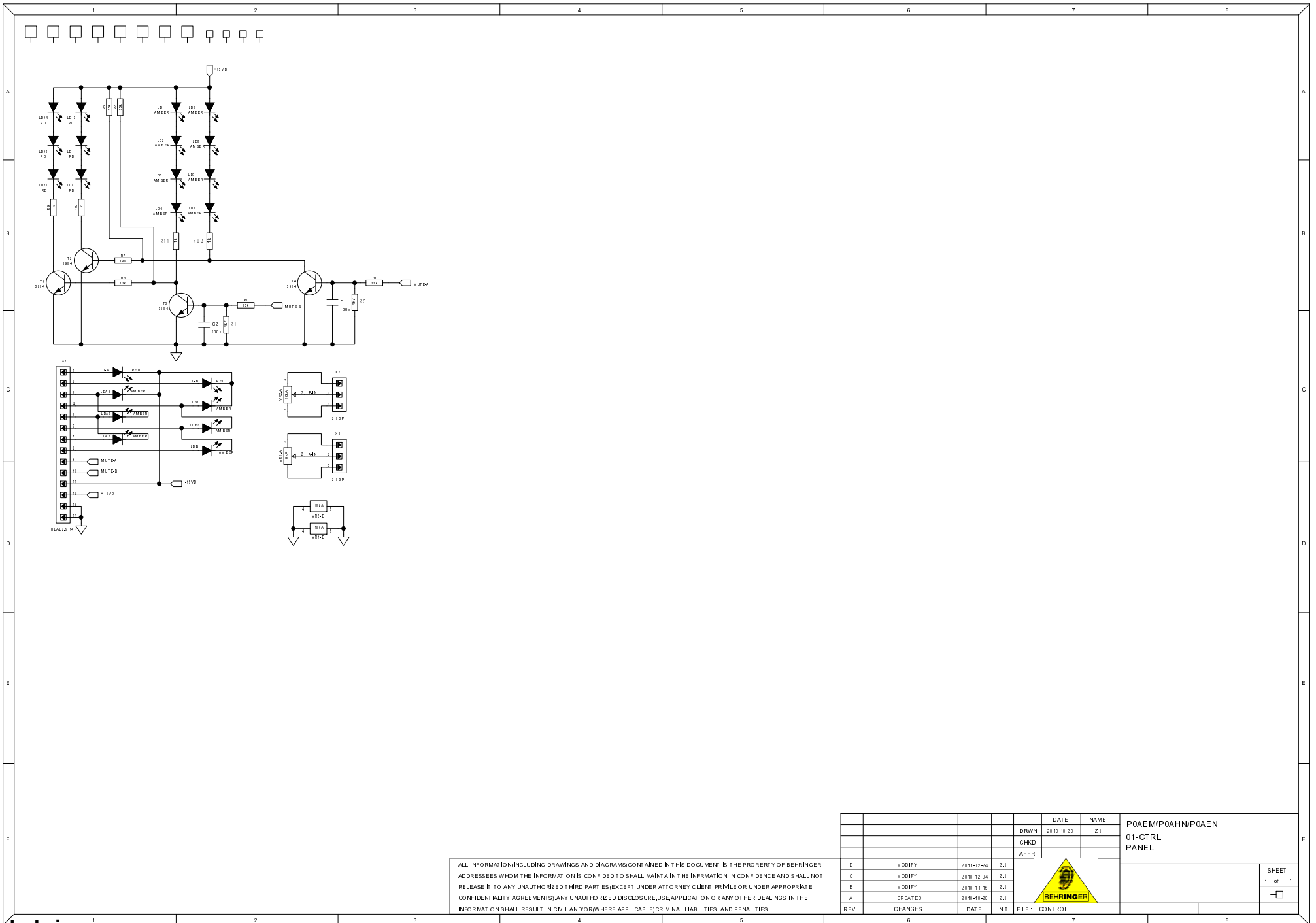
SHEET	1 of 2
-------	--------



ALL INFORMATION (INCLUDING DRAWINGS AND DIAGRAMS) CONTAINED IN THIS DOCUMENT IS THE PROPERTY OF BEHRINGER ADDRESSES WHOM THE INFORMATION IS CONFIDED TO SHALL MAINTAIN THE INFORMATION IN CONFIDENCE AND SHALL NOT RELEASE IT TO ANY UNAUTHORIZED THIRD PARTIES (EXCEPT UNDER ATTORNEY CLIENT PRIVILEGE OR UNDER APPROPRIATE CONFIDENTIALITY AGREEMENTS). ANY UNAUTHORIZED DISCLOSURE, USE, APPLICATION OR ANY OTHER DEALINGS IN THE INFORMATION SHALL RESULT IN CIVIL AND/OR (WHERE APPLICABLE) CRIMINAL LIABILITIES AND PENALTIES

DRWN	2011-04-05	NAME	Demmy	P0AEO 03-PSU-120V-240V PSU	SHEET 2 of 2
CHKD					
APPR					
REV	CHANGES	DATE	INIT	FILE: AUX	





ALL INFORMATION (INCLUDING DRAWINGS AND DIAGRAMS) CONTAINED IN THIS DOCUMENT IS THE PROPERTY OF BEHRINGER ADDRESSEES WHOM THE INFORMATION IS CONFIDED TO SHALL MAINTAIN THE INFORMATION IN CONFIDENCE AND SHALL NOT RELEASE IT TO ANY UNAUTHORIZED THIRD PARTIES (EXCEPT UNDER ATTORNEY CLIENT PRIVILEGE OR UNDER APPROPRIATE CONFIDENTIALITY AGREEMENTS). ANY UNAUTHORIZED DISCLOSURE, USE, APPLICATION OR ANY OTHER DEALINGS IN THE INFORMATION SHALL RESULT IN CIVIL AND/OR (WHERE APPLICABLE) CRIMINAL LIABILITIES AND PENALTIES

REV	CHANGES	DATE	INIT	FILE	CONTROL
D	MODIFY	2011-02-24	Z.J		
C	MODIFY	2010-12-04	Z.J		
B	MODIFY	2010-11-15	Z.J		
A	CREATED	2010-09-20	Z.J		

DRWN	DATE	NAME
Z.J	2010-09-20	Z.J
CHKD		
APPR		

POAEM/POAHN/POAEN 01-CTRL PANEL	SHEET 1 of 1
---------------------------------------	-----------------

Pcbs

	Quantity	Item	Rev	Description	Reference Designators	Notes
1	1.0000	G40-00000-29006		PCB;2 LAYER;POAEN;4;A;113011;POWER SW	[POAEN:04: {1.0}]	
2	1.0000	G40-00000-31407		PCB;2 LAYER;POAEM;1;D;124021;CTRL	[POAEM:01: {1.0}]	
3	1.0000	G42-00000-40218		642:PCB, MULTILAYER;POAEN;2;D;130061;AMP;2OZ	[POAEN:02: {1.0}()]	
4	1.0000	G40-00000-40217		PCB;2 LAYER;POAEN;3;D;114061;PSU;2OZ	[POAEN:03: {1.0}()]	(EU, UL, JP, UK, SAA, CCC, AR, BR1)
5	1.0000	G40-00000-40217		PCB;2 LAYER;POAEN;3;D;114061;PSU;2OZ	[POAEN:03: {1.0}()]	

Assembly

	Quantity	Item	Rev	Description	Reference Designators	Notes
1	2.0000	A31-00000-26278		FAN;BRUSHLESS;BP802512;3110KL-04W-B70;Cable:300mm;w/PHS2.0;NMB		

Cable

	Quantity	Item	Rev	Description	Reference Designators	Notes
1	1.0000	A77-00000-24200		CABLE;STRANDWIRE;AWG:16;UL1015;2;130 MM;TWO SIDE:S/T 5mm;TWIST	[POAEN:02: {1.0}()]	
2	1.0000	A77-00000-24201		CABLE;STRANDWIRE;AWG:16;UL1672;2;180 MM;S/T 5mm; 6.3mm AMP-CONNECTOR;TWIST	[POAEN:04: {1.0}()]	
3	1.0000	A77-00000-24204		CABLE;STRANDWIRE;AWG:16;UL1015;2;280 MM;TWO SIDE: 5mm;TWIST	[POAEN:02: {1.0}()]	
4	1.0000	A77-00000-39803		CABLE;STRANDWIRE;AWG:16;UL1015;BLACK;30 MM;ST-WIRE AWG16;BK	[POAEN:02: {1.0}()]	
5	1.0000	A77-00000-42351		CABLE;STRANDWIRE;AWG:14;UL1015;COMMON;BLACK; 40 MM;AWG14,UL1015,BLACK,One Side 5mm Other side lug 3.2		
6	1.0000	A81-00000-20147		WIRE HARNESS;AWG:26;UL1007;2 MM;2;350 MM;A2006H;P1018;ADD INSULATION CANNULA	[POAEN:04: {1.0}()]	
7	1.0000	A81-00000-29954		WIRE HARNESS;AWG:26;UL2547;2 MM;6;550 MM;PIN1 RED;A2006H-06;2XP1018;PIN3 and PIN6 SHIELD	[POAEM:01: {1.0}()]	
8	1.0000	A76-00000-01873		CABLE;AC-CORD;AWG:14;UL1571;3;1500 MM;CABL:AC-CORD;3P;AWG14;150cm		(UL)
9	1.0000	A76-15020-00253		CABLE;AC-CORD;CLASS II;JAPAN;W/POLYBAG;LENGTH:150cm;POLES:3;APPROVAL:PSE;PLUGS:M744 + VCTF 3x2.0mm2 + V1625BS;(VOLEX 052603/2)		(JP)
10	1.0000	A76-15010-05754		CABLE;AC-CORD;W/POLYBAG;LENGTH:150cm;H05VV-F 3G 3x1mm2;VERSION:EU		(EU)
11	2.0000	A77-00000-03134		CABLE;STRANDWIRE;AWG:16;UL1672;COMMON;120 MM;BLUE;S/T 5mm;6.3mm AMP	[POAEN:03: {2.0}()]	(EU, UL, JP, UK, SAA, CCC, AR, BR1)
12	1.0000	A76-00000-05307		CABLE;AC-CORD;3;BR;1500 MM;Plug + Connector:375+730;H05VV-F 3G1.0		(BR1)
13	1.0000	A77-00000-24203		CABLE;STRANDWIRE;AWG:16;UL1015;3;160 MM;BLACK/BLUE/RED;S/T:5mm; 6.mm AMP-CONNECTOR ISOLATED;TWIST	[POAEN:03: {1.0}()]	(EU, UL, JP, UK, SAA, CCC, AR, BR1)
14	1.0000	A77-00000-24203		CABLE;STRANDWIRE;AWG:16;UL1015;3;160 MM;BLACK/BLUE/RED;S/T:5mm; 6.mm AMP-CONNECTOR ISOLATED;TWIST	[POAEN:03: {1.0}()]	
15	1.0000	A76-15040-05756		CABLE;AC-CORD;W/POLYBAG;LENGTH:150cm;H05VV-F3G 1mm2;VERSION:UK		(UK)
16	2.0000	A74-00000-26890		CABLE;FLAT;AWG:28;UL2651;2.54 MM;14;150 MM;PIN1 RED;FC-14P;FD-14P	[POAEM:01: {1.0}()] [POAEN:03: {1.0}(X13)]	(EU, UL, JP, UK, SAA, CCC, AR, BR1)
17	1.0000	A76-00000-13575		CABLE;AC-CORD;3;AR;1500 MM;Plug + Connector:321+730;H05VV-F 3G1.0		(AR)
18	1.0000	A76-15060-05755		CABLE;AC-CORD;W/POLYBAG;LENGTH:150cm;POLES:3;227 IEC 53 (RVV) 3x1mm2;VERSION:CCC		(CCC)

	Quantity	Item	Rev	Description	Reference Designators	Notes
19	1.0000	A76-18050-05757		CABLE;AC-CORD;LENGTH:180cm;PLUG:HE105 ISOLATED;SAA H05VV-F 3x1mm2;CONN.HP-3;VERSION:SAA		(SAA)
20	2.0000	A74-00000-26890		CABLE;FLAT;AWG:28;UL2651;2.54 MM;14;150 MM;PIN1 RED;FC-14P;FD-14P	[POAEM:01: {1.0}{}] [POAEN:03: {1.0}{}]	
21	2.0000	A77-00000-03134		CABLE;STRANDWIRE;AWG:16;UL1672;COMMON;120 MM;BLUE;S/T 5mm;6.3mm AMP	[POAEN:03: {2.0}{}]	

Circuit Protector

	Quantity	Item	Rev	Description	Reference Designators	Notes
1	1.0000	B20-00000-39637		CIRCUIT BREAKER;12 A;V;RONGFENG;RFLB;TRIP TIME 10s+/-5s2 TIMES OVERLOAD		(EU, UK, SAA, CCC, AR, BR1)
2	1.0000	B20-00000-39640		CIRCUIT BREAKER;25 A;V;RONGFENG;RFLB;TRIP TIME 10s+/-5s2 TIMES OVERLOAD		(UL, JP)

Coil

	Quantity	Item	Rev	Description	Reference Designators	Notes
1	4.0000	B37-00000-23921		COIL;CHOKE;15 uH;POAEN COIL T130-2 L:15uH+/-10%1KHZ,0.25V SG	[POAEN:02: {4.0}()]	
2	1.0000	B40-00000-42961		COIL;TOROID;22 uH;25.8X28.5X12.8 MM;RH25.8X28.5X12.8 K4D	[POAEN:02: {1.0}]	
3	1.0000	B40-00000-42962		COIL;TOROID;21 uH;17.5X28.5X9.5 MM;RH17.5X28.5X9.5 K4D	[POAEN:02: {1.0}]	
4	1.0000	B44-31500-04970		FERRITE BEAD;RH3.5*0.8*4.7-F5B	[POAEN:03: {1.0}()]	(EU, UL, JP, UK, SAA, CCC, AR, BR1)
5	1.0000	B37-00000-28561		COIL;CHOKE;2 uH;T157-2 L:2uH+/-10%1KHZ,0.25V	[POAEN:03: {1.0}()]	(EU, UL, JP, UK, SAA, CCC, AR, BR1)
6	1.0000	B37-00000-28561		COIL;CHOKE;2 uH;T157-2 L:2uH+/-10%1KHZ,0.25V	[POAEN:03: {1.0}()]	
7	1.0000	B44-31500-04970		FERRITE BEAD;RH3.5*0.8*4.7-F5B	[POAEN:03: {1.0}()]	
8	3.0000	B37-00000-27712		COIL;CHOKE;R3X10;2.4uH+/-30%1KHZ,0.25V	[POAEN:03: {3.0}()]	(EU, UL, JP, UK, SAA, CCC, AR, BR1)
9	2.0000	B37-00000-28557		COIL;CHOKE;2.8 mH;T38(37)X22X15 L:2.8mH MIN1KHZ,0.25V;CLICK	[POAEN:03: {2.0}()]	(EU, UL, JP, UK, SAA, CCC, AR, BR1)
10	3.0000	B37-00000-27712		COIL;CHOKE;R3X10;2.4uH+/-30%1KHZ,0.25V	[POAEN:03: {3.0}()]	
11	1.0000	B37-00000-27090		COIL;CHOKE;1 mH;COIL T12.7X7.9X6.35 L:1.0mH MIN1KHZ,0.25V	[POAEN:03: {1.0}()]	(EU, UL, JP, UK, SAA, CCC, AR, BR1)
12	1.0000	B37-00000-27090		COIL;CHOKE;1 mH;COIL T12.7X7.9X6.35 L:1.0mH MIN1KHZ,0.25V	[POAEN:03: {1.0}()]	
13	2.0000	B37-00000-28557		COIL;CHOKE;2.8 mH;T38(37)X22X15 L:2.8mH MIN1KHZ,0.25V;CLICK	[POAEN:03: {2.0}()]	

Connector

	Quantity	Item	Rev	Description	Reference Designators	Notes
1	2.0000	B95-00000-19168		CONNECTOR;XLR;12;XLR&6.35 COMBO;RIGHT ANGLE	[POAEN:02: {2.0}{}]	
2	5.0000	B84-39000-03120		CONNECTOR;AMP;PCB;PCB MOUNT;PITCH:5mm;WIDTH:6mm3	[POAEN:03: {2.0}{}] [POAEN:02: {3.0}{}]	(EU, UL, JP, UK, SAA, CCC, AR, BR1)
3	2.0000	B93-00000-29798		BARE WIRE;DIA:1MM;L:7.5MM;PRE-CUT:3.3MM	J1, J3]	(UL, JP)
4	2.0000	B80-00000-21788		SPEAKON;H=24mm;with M3 NUT	[POAEN:02: {2.0}(X19-X20)]	(EU, UL, JP, UK, SAA, CCC, AR, BR1)
5	1.0000	B93-00000-29798		BARE WIRE;DIA:1MM;L:7.5MM;PRE-CUT:3.3MM		(EU, UK, SAA, CCC, AR, BR1)
6	1.0000	B93-00000-29798		BARE WIRE;DIA:1MM;L:7.5MM;PRE-CUT:3.3MM	J2]	
7	2.0000	B80-00000-21788		SPEAKON;H=24mm;with M3 NUT	[POAEN:02: {2.0}{}]	
8	5.0000	B84-39000-03120		CONNECTOR;AMP;PCB;PCB MOUNT;PITCH:5mm;WIDTH:6mm3	[POAEN:03: {2.0}{}] [POAEN:02: {3.0}{}]	
9	2.0000	B93-00000-29798		BARE WIRE;DIA:1MM;L:7.5MM;PRE-CUT:3.3MM	[POAEN:03: {2.0}{}]	

Diode

	Quantity	Item	Rev	Description	Reference Designators	Notes
1	4.0000	C11-07030-09902		DIODE;BAV99;SOT23	[POAEN:02: {4.0}()]	
2	4.0000	C12-14200-04303		DIODE;ZMM04V3;SMD1206	[POAEN:02: {4.0}()]	
3	2.0000	C11-08000-20063		DIODE;1.5KE200A;DO201AD	[POAEN:03: {2.0}()]	(EU, UL, JP, UK, SAA, CCC, AR, BR1)
4	6.0000	C10-18700-54083		DIODE;SCHOTTKY;SS0540;SOD123;SMD	[POAEN:03: {6.0}()]	(EU, UL, JP, UK, SAA, CCC, AR, BR1)
5	1.0000	C11-20430-00124		DIODE;SUPERFAST;ER1J;600V;1A;35NS;DO-214AA;SMD	[POAEN:03: {1.0}()]	(EU, UL, JP, UK, SAA, CCC, AR, BR1)
6	1.0000	C11-20430-00124		DIODE;SUPERFAST;ER1J;600V;1A;35NS;DO-214AA;SMD	[POAEN:03: {1.0}()]	
7	33.0000	C14-20430-00024		DIODE;SUPERFAST;ES1D;200V;1A;15NS;DO-214AC;SMD	[POAEN:03: {5.0}()] [POAEN:02: {28.0}()]	(EU, UL, UK, SAA, CCC, AR, BR1)
8	2.0000	C11-08000-20063		DIODE;1.5KE200A;DO201AD	[POAEN:03: {2.0}()]	
9	6.0000	C10-18700-54083		DIODE;SCHOTTKY;SS0540;SOD123;SMD	[POAEN:03: {6.0}()]	
10	1.0000	C12-14200-05103		DIODE;ZMM05V1;SMD1206	[POAEN:03: {1.0}()]	(EU, UL, UK, SAA, CCC, AR, BR1)
11	1.0000	C14-51775-00800		DIODE;BRIDGE;RBV5008;800V;50A	[POAEN:03: {1.0}()]	(EU, UL, JP, UK, SAA, CCC, AR, BR1)
12	1.0000	C12-14200-18003		DIODE;ZMM18V0;SMD1206	[POAEN:03: {1.0}()]	(EU, UL, JP, UK, SAA, CCC, AR, BR1)
13	1.0000	C14-51775-00800		DIODE;BRIDGE;RBV5008;800V;50A	[POAEN:03: {1.0}()]	
14	3.0000	C11-19141-10030		DIODE;MBRS1100TR;IR	[POAEN:03: {3.0}()]	(JP)
15	1.0000	C12-14200-18003		DIODE;ZMM18V0;SMD1206	[POAEN:03: {1.0}()]	
16	1.0000	C12-14200-09103		DIODE;ZMM09V1;SMD1206	[POAEN:03: {1.0}()]	(EU, UL, JP, UK, SAA, CCC, AR, BR1)
17	30.0000	C14-20430-00024		DIODE;SUPERFAST;ES1D;200V;1A;15NS;DO-214AC;SMD	[POAEN:03: {2.0}()] [POAEN:02: {28.0}()]	(JP)
18	2.0000	C11-08330-44021		DIODE;SUPERFAST;MUR440;400V;4A;60NS;DO-201AD	[POAEN:03: {2.0}()]	(EU, UL, JP, UK, SAA, CCC, AR, BR1)
19	1.0000	C12-14200-09103		DIODE;ZMM09V1;SMD1206	[POAEN:03: {1.0}()]	
20	19.0000	C11-09014-14802		DIODE;LL4148;LL34;TEMIC OR FC	[POAEN:03: {7.0}()] [POAEN:02: {12.0}()]	(JP)
21	2.0000	C11-08330-44021		DIODE;SUPERFAST;MUR440;400V;4A;60NS;DO-201AD	[POAEN:03: {2.0}()]	
22	20.0000	C11-09014-14802		DIODE;LL4148;LL34;TEMIC OR FC	[POAEN:03: {8.0}()] [POAEN:02: {12.0}()]	(EU, UL, UK, SAA, CCC, AR, BR1)
23	4.0000	C13-12550-030A2		DIODE;IXYS;DSEP30-04A;400V;30A;TO-247AD	[POAEN:03: {4.0}()]	(EU, UL, JP, UK, SAA, CCC, AR, BR1)

	Quantity	Item	Rev	Description	Reference Designators	Notes
24	4.0000	C10-00000-12620		DIODE;SCHOTTKY;100 V;SMB;B2100	[POAEN:03: {4.0}{}]	(EU, UL, JP, UK, SAA, CCC, AR, BR1)
25	4.0000	C13-00000-25853		DIODE;RECTIFIER;SMA;1A;1000V;GS1MW	[POAEN:03: {4.0}{}]	(EU, UL, JP, UK, SAA, CCC, AR, BR1)
26	4.0000	C13-00000-25853		DIODE;RECTIFIER;SMA;1A;1000V;GS1MW	[POAEN:03: {4.0}{}]	
27	3.0000	C11-20370-00124		DIODE;GP;GS1G;400V;1A;DO-214AC;SMD	[POAEN:03: {3.0}{}]	(EU, UL, JP, UK, SAA, CCC, AR, BR1)
28	4.0000	C10-00000-12620		DIODE;SCHOTTKY;100 V;SMB;B2100	[POAEN:03: {4.0}{}]	
29	4.0000	C13-12550-030A2		DIODE;IXYS;DSEP30-04A;400V;30A;TO-247AD	[POAEN:03: {4.0}{}]	
30	6.0000	C12-14200-15003		DIODE;ZMM15V0;SMD1206	[POAEN:03: {2.0}{}] [POAEN:02: {4.0}{}]	(EU, UL, JP, UK, SAA, CCC, AR, BR1)
31	6.0000	C12-14200-15003		DIODE;ZMM15V0;SMD1206	[POAEN:03: {2.0}{}] [POAEN:02: {4.0}{}]	
32	3.0000	C11-20370-00124		DIODE;GP;GS1G;400V;1A;DO-214AC;SMD	[POAEN:03: {3.0}{}]	

Hardware

	Quantity	Item	Rev	Description	Reference Designators	Notes
1	8.0000	F83-04000-00021		CABLE TIE;NYLON;4in;COLOR:		
2	0.3000	F84-03000-01090		SCREWLOCK;SPEC.NO:01090		
3	1.0000	F85-04000-44001		HEX. NUT;INNER DIA;M4mm;SURFACE:ZINC		
4	4.0000	F88-00000-22569		SCREW;25 (BT);3 MM;7 MM;FLAT;SILVER;PHILIPS REC.;BET3*7		
5	8.0000	F88-00000-23246		SC;B5*8;PAN;BLACK		
6	17.0000	F88-03064-2029A		SCREW;M3mm*6mm;HEAD:PAN SPRING WASHER;INSERT:PHILIPS REC.;SURFACE:SILVER/NIC		
7	4.0000	F88-30060-30297		SCREW;M3mm*6mm;HEAD:PAN;INSERT:PHILLIPS REC.;SURFACE:BLACK/ZINC		
8	4.0000	F88-30060-50277		SCREW;M3mm*6mm;PITCH:0mm5;HEAD:FLAT;INSERT:PHILIPS REC.;SURFACE:BLACK/ZINC		
9	10.0000	F88-30060-50291		SCREW;M3mm*6mm;HEAD:FLAT;INSERT:PHILIPS REC.;SURFACE:ZINC		
10	22.0000	F88-30080-30237		SCREW;B3mm*8mm;HEAD:PAN;INSERT:PHILIPS REC.;SURFACE:BLACK/ZINC		
11	5.0000	F88-30120-30297		SCREW;M3mm*12mm;HEAD:PAN;INSERT:PHILIPS REC.;SURFACE:BLACK/ZINC		
12	3.0000	F88-30150-30297		SCREW;M3mm*15mm;HEAD:PAN;INSERT:PHILIPS REC.;SURFACE:BLACK/ZINC		
13	4.0000	F88-40060-30297		SCREW;M4mm*6mm;HEAD:PAN;INSERT:PHILIPS REC.;SURFACE:BLACK/ZINC		
14	4.0000	F89-32023-00194		INSULATION SHEET;TO247 W/HOLE;ALUMINIUM OXIDE CERAMIC INSULATOR;THICKNESS:2mm03;HOLE DIAMETER:3mm96;(LANXIN)		
15	1.0000	F91-02020-05792		SILICA GEL;MASS;20g;SPEC.NO:20QB-BB2001-4		
16	1.0000	F96-00000-10098		WASHER;4 MM;9 MM;NICKEL;SILVER;M4;EXT_TEETH;LOCKING_WASHER		
17	1.0000	F96-20400-70170		WASHER;SPRING;INNER DIA:4mm;OUTER DIA:7mm;THICKNESS;1mm7		
18	1.0000	F97-00000-21446		INSULATION SHEET;FIBER SHEET1;POAEN		
19	1.0000	F97-00000-21447		INSULATION SHEET;FIBER SHEET2;POAEN		
20	1.0000	F97-00000-21448		INSULATION SHEET;FIBER SHEET3;POAEN		
21	2.0000	F97-00000-26098		INSULATION SHEET;AL OXIDE;30*30*2;W/O HOLE		
22	1.0000	F97-00000-28512		INSULATION SHEET;FIBER SHEET4;POAEN		
23	8.0000	F97-00000-36815		INSULATION SHEET;27 MM;WHITE;AL OXIDE;1mm;27x14x1		
24	0.0500	F95-20005-00000		SHRINKING TUBE;INNER DIA:20mm;THICKNESS:0mm5	[POAEN:03: {0.05}()]	(EU, UL, JP, UK, SAA, CCC, AR, BR1)
25	4.0000	F87-00000-48383		RUBBER;BLACK;POAEN THERMAL RESISTOR PAD	[POAEN:02: {4.0}()]	(EU, UL, JP, UK, SAA,

	Quantity	Item	Rev	Description	Reference Designators	Notes
						CCC, AR, BR1)
26	1.0000	F97-00000-31591		INSULATION SHEET;BLACK;SILICON SLEEVE FOR BRIDGE;T:0.5mm;UL94V0	[POAEN:03: {1.0}(TUB3)]	(EU, UL, JP, UK, SAA, CCC, AR, BR1)
27	7.8000	F84-01800-09286		THERM-GREASE;COLOR:WHT;SPEC.NO:09286	[POAEN:03: {1.2}] [POAEN:02: {1.5}]	(EU, UL, JP, UK, SAA, CCC, AR, BR1)
28	0.0500	F95-20005-00000		SHRINKING TUBE;INNER DIA:20mm;THICKNESS:0mm5	[POAEN:03: {0.05}{}]	
29	0.0150	F95-00000-08106		SHRINKING TUBE;12 MM;BLACK;HIGH TEMPERATURE,Dia. 12mm;150C	[POAEN:03: {0.015}{}]	(EU, UL, JP, UK, SAA, CCC, AR, BR1)
30	0.0150	F95-00000-08106		SHRINKING TUBE;12 MM;BLACK;HIGH TEMPERATURE,Dia. 12mm;150C	[POAEN:03: {0.015}{}]	
31	1.0000	F97-00000-31591		INSULATION SHEET;BLACK;SILICON SLEEVE FOR BRIDGE;T:0.5mm;UL94V0	[POAEN:03: {1.0}{}]	
32	1.0000	F97-00000-31591		INSULATION SHEET;BLACK;SILICON SLEEVE FOR BRIDGE;T:0.5mm;UL94V0	[POAEN:03: {1.0}{}]	
33	0.0800	F95-01000-43217		SHRINKING TUBE;INNER DIA;1mm;SPEC.NO:43217	[POAEN:03: {0.08}]	(EU, UL, JP, UK, SAA, CCC, AR, BR1)
34	0.0800	F95-01000-43217		SHRINKING TUBE;INNER DIA;1mm;SPEC.NO:43217	[POAEN:03: {0.08}]	20mm*4
35	7.8000	F84-01800-09286		THERM-GREASE;COLOR:WHT;SPEC.NO:09286	[POAEN:03: {1.2}] [POAEN:02: {1.5}]	
36	4.0000	F87-00000-48383		RUBBER;BLACK;POAEN THERMAL RESISTOR PAD	[POAEN:02: {4.0}(RUBBERPAD1-RUBBERPAD4)]	

Ic

	Quantity	Item	Rev	Description	Reference Designators	Notes
1	5.0000	C73-00000-29050		IC;OPAMP;SMD;SOP;8;BA4580RF	[POAEN:02: {5.0}()]	
2	1.0000	C73-22370-00516		IC;OPAMP OPAMP;V13700M;SOP	[POAEN:02: {1.0}()]	
3	1.0000	C73-55035-80508		IC;OPAMP OPAMP;LM358;SOP 8D	[POAEN:02: {1.0}()]	
4	2.0000	C73-55617-27408		IC;OPAMP;LM6172IM;SO;PIN:8	[POAEN:02: {2.0}()]	
5	2.0000	C77-00000-19127		IC;VOLT.REGULATOR;DDPAK;3;LM7812	[POAEN:02: {2.0}()]	
6	1.0000	C77-05152-03001		IC;VOLT.REGULATOR;78L05;SOT89	[POAEN:02: {1.0}()]	
7	1.0000	C78-55039-32208		IC;COMPARATOR;LM393;SOIC	[POAEN:02: {1.0}()]	
8	2.0000	D22-00070-42608		IC;INVERTER BUFFER;TOSHIBA;TC7WH04FU;SSOP8-P-0.65	[POAEN:02: {2.0}()]	
9	4.0000	D28-64295-72216		IC;IRS20957S;SOIC	[POAEN:02: {4.0}()]	
10	1.0000	D30-22002-20108		IC;SWITCH/MULTIPLEX;VIPER22ADIP;DIP-8	[POAEN:03: {1.0}()]	(EU, UL, JP, UK, SAA, CCC, AR, BR1)
11	1.0000	D30-22002-20108		IC;SWITCH/MULTIPLEX;VIPER22ADIP;DIP-8	[POAEN:03: {1.0}()]	
12	2.0000	C77-00128-03000		IC;VOLT.REGULATOR;ZENERSHUNT.REGULATOR;SOT23;LM431ACM3/N1	[POAEN:03: {1.0}()] [POAEN:02: {1.0}()]	(EU, UL, JP, UK, SAA, CCC, AR, BR1)
13	2.0000	C77-00128-03000		IC;VOLT.REGULATOR;ZENERSHUNT.REGULATOR;SOT23;LM431ACM3/N1	[POAEN:03: {1.0}()] [POAEN:02: {1.0}()]	
14	2.0000	C74-55031-71403		IC;VOLT.REGULATOR;LM317F;TO220 FULL	[POAEN:03: {2.0}()]	(EU, UL, JP, UK, SAA, CCC, AR, BR1)
15	2.0000	C74-55031-71403		IC;VOLT.REGULATOR;LM317F;TO220 FULL	[POAEN:03: {2.0}()]	
16	1.0000	C74-36100-60803		IC;POWER CONVERSION;MCR100-6RLG;TO92;TAPE	[POAEN:03: {1.0}()]	(EU, UL, JP, UK, SAA, CCC, AR, BR1)
17	1.0000	C71-20352-50116		IC;DRIVER VOLTAGE-MODE PWM CONTROLLER;KA3525A;DIP	[POAEN:03: {1.0}()]	(EU, UL, JP, UK, SAA, CCC, AR, BR1)
18	1.0000	D24-16055-57408		IC;MICROCONTROLLER;NE555D;SO8	[POAEN:03: {1.0}()]	(EU, UL, JP, UK, SAA, CCC, AR, BR1)
19	1.0000	C71-20352-50116		IC;DRIVER VOLTAGE-MODE PWM CONTROLLER;KA3525A;DIP	[POAEN:03: {1.0}()]	
20	1.0000	C74-36100-60803		IC;POWER CONVERSION;MCR100-6RLG;TO92;TAPE	[POAEN:03: {1.0}()]	
21	4.0000	C78-55133-90514		IC;COMPARATOR;(SGS ONLY);LM339;SOP;SMD	[POAEN:03: {1.0}()] [POAEN:02: {3.0}()]	(EU, UL, JP, UK, SAA, CCC, AR, BR1)
22	4.0000	C78-55133-90514		IC;COMPARATOR;(SGS ONLY);LM339;SOP;SMD	[POAEN:03: {1.0}()] [POAEN:02: {3.0}()]	
23	1.0000	D24-16055-57408		IC;MICROCONTROLLER;NE555D;SO8	[POAEN:03: {1.0}()]	

Led

	Quantity	Item	Rev	Description	Reference Designators	Notes
1	8.0000	E10-00000-25912		LED HIB;3mm0 ROUND;RED;Len: RED Diffuse;lv:500mcd	[POAEM:01: {8.0}{}]	
2	8.0000	E10-51610-05431		LED;HIGH BRIGHT;3mm ROUND;AMBER;NO RING;WAVELENGTH:610nm	[POAEM:01: {8.0}{}]	
3	6.0000	E10-00000-28393		LED HIB;3mm0 ROUND;AMBER;DIFFUSED;w/RING;605;lv:900mcd	[POAEM:01: {6.0}{}]	(EU, UL, JP, UK, SAA, CCC, AR, BR1)
4	6.0000	E10-00000-28393		LED HIB;3mm0 ROUND;AMBER;DIFFUSED;w/RING;605;lv:900mcd	[POAEM:01: {6.0}{LDA1-LDA3, LDB1-LDB3}]	

Manual

	Quantity	Item	Rev	Description	Reference Designators	Notes
1	1.0000	A56-00000-56789		SERVICE INFORMATION SHEET;P0000;EN;Contact Information Sheet:EN;REV:002		
2	1.0000	A57-00003-12001		PRODUCT LEAFLET;FOR 2008 FULL LINE CATALOG		
3	1.0000	A52-00000-42338		WARRANTY CARD;P0000;EN;REV:001		(AR)
4	1.0000	A54-00000-57341		QUICK START GUIDE;POAEM;WW;REV:003		(EU, UL, UK, SAA, AR, BR1)
5	1.0000	A54-00000-57348		QUICK START GUIDE;POAEM;JA;REV:003		(JP)
6	1.0000	A52-00000-40142		WARRANTY CARD;P0000;JA;DATE:01.07.2011;REVD		(JP)
7	1.0000	A54-00000-57346		QUICK START GUIDE;POAEM;ZH;REV:003		(CCC)

Metal Part

	Quantity	Item	Rev	Description	Reference Designators	Notes
1	1.0000	A65-00000-19986		METAL;POAEM;FACE PLATE;REV:A		
2	1.0000	A65-00000-23557		METAL;POAEN;TOP COVER		
3	1.0000	A65-00000-47081		METAL;POAEN;MN65;SPRING SHEET PSU S		
4	4.0000	A65-00000-47240		METAL;POAEN;MN65;PUNCHING;SPRING SHEET AMP,REV C,Mn65,T=0.5MM		
5	3.0000	A65-00000-47242		METAL;POAEN;MN65;PUNCHING;SPRING SHEET PSU REV C,Mn65,T=0.5MM		
6	2.0000	A65-09000-25912		METAL;FAN GUARD;DIAMETER:80mm;TYP:G;NO:01;SPEC.NO:25912		
7	1.0000	J05-00000-32721		METAL;POAEN;CHASSIS;A001		
8	1.0000	A65-00000-23558		METAL;POAEN;PSU SHIELD	[POAEN:03: {1.0}{}]	(EU, UL, JP, UK, SAA, CCC, AR, BR1)
9	1.0000	A65-23000-24593		METAL CLIP;DSP2000;DWG.NO:24593;(R14-DSP2000-CLIP-REVC.DWG)	[POAEN:03: {1.0}]	(EU, UL, JP, UK, SAA, CCC, AR, BR1)
10	1.0000	A65-23000-24593		METAL CLIP;DSP2000;DWG.NO:24593;(R14-DSP2000-CLIP-REVC.DWG)	[POAEN:03: {1.0}]	
11	1.0000	A65-00000-23558		METAL;POAEN;PSU SHIELD	[POAEN:03: {1.0}{}]	

Packaging Part

	Quantity	Item	Rev	Description	Reference Designators	Notes
1	1.0000	G25-00000-60289		POLYFOAM;POAEM;REAR; REVB		
2	1.0000	G25-00000-60290		POLYFOAM;POAEM;FRONT; REVB		
3	1.0000	G28-20090-14010		PE BAG;SIZE:9in*14in;W/WARNING		
4	1.0000	G28-20180-28010		PE BAG;SIZE:18in*28in;W/WARNING		
5	0.2500	I40-00000-38066		MASTER CARTON;POAEN;A003		
6	1.0000	I46-00000-48959		GIFTBOX;POAEN;A005		

Plastic Part

	Quantity	Item	Rev	Description	Reference Designators	Notes
1	4.0000	G51-01200-01762		FEET;RUBBER;STANDARD;SELF-ADHESIVE;COLOR:BLK;DWG.NO:01762		
2	1.0000	G52-00000-20112		PLASTIC;POAEM;POWER BUTTON;REV:A		
3	4.0000	G54-00000-20117		PLASTIC;POAEM;VOLUME PET FILM;REV:A		
4	2.0000	G58-00000-20114		PLASTIC;POAEM;VOLUME COVER;REV:A		
5	2.0000	G58-00000-20115		PLASTIC;POAEM;VOLUME PIPE RING;REV:A		
6	2.0000	G58-00000-20116		PLASTIC;POAEM;VOLUME KNOB;REV:A		
7	8.0000	G58-00000-24116		PLASTIC;POAEM;LED HOLDER;3*11mm	[POAEM:01: {8.0}]	
8	1.0000	G58-00000-31827		PLASTIC;POAEM;HANDLE ASSY;LEFT;REV:A		
9	1.0000	G58-00000-31828		PLASTIC;POAEM;HANDLE ASSY;RIGHT;REV:A		
10	1.0000	G58-00000-40253		PLASTIC;POAEM;ABS PA757;PANEL;SILVER;GREY;FRONT PANEL;ABS		
11	1.0000	I68-00000-32719		PLASTIC;POAEN;FRONT_STRIP;A003		
12	6.0000	G53-00000-46348		PLASTIC;POAEN;SILICON RUBBER;SHEET;BLACK;RUBBER SHEET DSP	[POAEN:03: {6.0}]	(EU, UL, JP, UK, SAA, CCC, AR, BR1)
13	1.0000	G58-00000-33079		PLASTIC;POAEN;BLACK;SHIELD PC SHEET	[POAEN:03: {1.0}()]	(EU, UL, JP, UK, SAA, CCC, AR, BR1)
14	6.0000	G53-00000-46348		PLASTIC;POAEN;SILICON RUBBER;SHEET;BLACK;RUBBER SHEET DSP	[POAEN:03: {6.0}]	D37-D40,T5-T6
15	1.0000	G58-00000-33079		PLASTIC;POAEN;BLACK;SHIELD PC SHEET	[POAEN:03: {1.0}()]	
16	10.0000	G53-00000-46325		PLASTIC;POAEN;SILICON RUBBER;SHEET;BLACK;RUBBER SHEET AMP	[POAEN:03: {2.0}] [POAEN:02: {8.0}]	(EU, UL, JP, UK, SAA, CCC, AR, BR1)
17	10.0000	G53-00000-46325		PLASTIC;POAEN;SILICON RUBBER;SHEET;BLACK;RUBBER SHEET AMP	[POAEN:03: {2.0}] [POAEN:02: {8.0}]	IC8-IC9, T8-T15

Plug Socket

	Quantity	Item	Rev	Description	Reference Designators	Notes
1	2.0000	G61-65214-03291		BOX HEADER;POLES:14;2 ROW;STRAIGHT;PITCH:2mm54;SCM-14S	[POAEN:02: {2.0}()]	
2	1.0000	G71-23106-04965		PLUG;WAFER;P:2mm;1 ROW;STRAIGHT;POLES:06;TYPE:A2006WV-6P	[POAEN:02: {1.0}()]	
3	1.0000	G67-30103-01969		SOCKET;AC;PCB MOUNT;COLOR:BLACK;POLES:03;(SS- 7B-1-T7NUT2)	[POAEN:03: {1.0}()]	(EU, UL, JP, UK, SAA, CCC, AR, BR1)
4	3.0000	G71-23102-04756		PLUG;WAFER;P:2mm;1 ROW;STRAIGHT;POLES:02;TYPE:A2006WV-2P	[POAEN:03: {3.0}()]	(EU, UL, JP, UK, SAA, CCC, AR, BR1)
5	3.0000	G71-23102-04756		PLUG;WAFER;P:2mm;1 ROW;STRAIGHT;POLES:02;TYPE:A2006WV-2P	[POAEN:03: {3.0}()]	
6	1.0000	G67-30103-01969		SOCKET;AC;PCB MOUNT;COLOR:BLACK;POLES:03;(SS- 7B-1-T7NUT2)	[POAEN:03: {1.0}()]	

Power Supply

	Quantity	Item	Rev	Description	Reference Designators	Notes
1	1.0000	J63-00000-28559		TRANSFORMER;POAEN;EEL1927 CLICK	[POAEN:03: {1.0}()]	(EU, UL, JP, UK, SAA, CCC, AR, BR1)
2	1.0000	J63-00000-28559		TRANSFORMER;POAEN;EEL1927 CLICK	[POAEN:03: {1.0}()]	
3	1.0000	J63-00000-40111		TRANSFORMER;POAAQ;EE55 L:250uH+/- 10%1KHZ,0.25V SG	[POAEN:03: {1.0}()]	(JP)
4	1.0000	J63-00000-22405		TRANSFORMER;POAEN;EE55/55/21	[POAEN:03: {1.0}()]	(EU, UL, UK, SAA, CCC, AR, BR1)

Raw Material

	Quantity	Item	Rev	Description	Reference Designators	Notes
1	2.5000	E41-50088-50456		HOTMELT;ZL;HS-88A		
2	6.5000	E41-60116-04068		GLUE;SUN-DA;SILCONE;SW-116-A	[POAEN:03: {4.5}] [POAEN:02: {2.0}]	(EU, UL, JP, UK, SAA, CCC, AR, BR1)
3	6.5000	E41-60116-04068		GLUE;SUN-DA;SILCONE;SW-116-A	[POAEN:03: {4.5}] [POAEN:02: {2.0}]	

Potentiometer

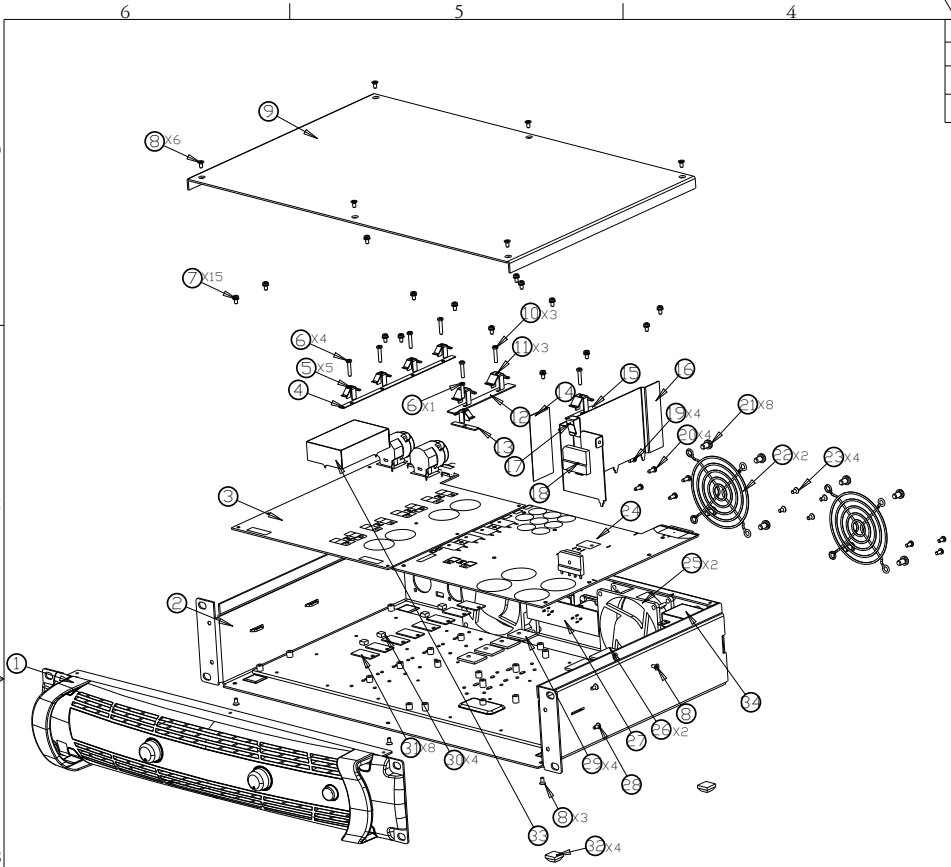
	Quantity	Item	Rev	Description	Reference Designators	Notes
1	2.0000	I03-00000-22527		POTENTIOMETER;10 kohm;A;20%;SINGLE;DETENT:21;L=20mm;R1131	[POAEM:01: {2.0}{}]	

Switch

	Quantity	Item	Rev	Description	Reference Designators	Notes
1	2.0000	I86-00000-20188		SWITCH;SLIDE;2;2;RIGHT ANGLE;SK-22H04-G9;COMAX	[POAEN:02: {2.0}{}]	
2	1.0000	I91-02421-05535		SWITCH;PUSH;MAINS;POLES:2;TOGGLES:1;LOCKING;NONSHORT;ANGLED;PCB VERSION;(RONG FENG;SS-160-PCB)	[POAEN:04: {1.0}{}]	

Transistor

	Quantity	Item	Rev	Description	Reference Designators	Notes
1	8.0000	J70-20422-74503		TRANSISTOR;IRFB4227PBF;TO220	[POAEN:02: {8.0}{}]	
2	15.0000	J73-16390-46603		TRANSISTOR;MMBT3904LT1;SOT23;SMD	[POAEM:01: {4.0}{}] [POAEN:03: {3.0}{}] [POAEN:02: {8.0}{}]	
3	2.0000	J71-64606-03203		TRANSISTOR;;IXYS;IXGH60N60C2;TO247	[POAEN:03: {2.0}{}]	(EU, UL, JP, UK, SAA, CCC, AR, BR1)
4	5.0000	J73-16390-62803		TRANSISTOR;MMBT3906;SOT23;SMD	[POAEN:03: {1.0}{}] [POAEN:02: {4.0}{}]	(EU, UL, JP, UK, SAA, CCC, AR, BR1)
5	5.0000	J73-16390-62803		TRANSISTOR;MMBT3906;SOT23;SMD	[POAEN:03: {1.0}{}] [POAEN:02: {4.0}{}]	
6	2.0000	J71-13102-06103		TRANSISTOR;2SA1020Y;PNP;50V;2A;TO-92MOD;TOSHIBA	[POAEN:03: {2.0}{}]	(EU, UL, JP, UK, SAA, CCC, AR, BR1)
7	2.0000	J71-13102-06103		TRANSISTOR;2SA1020Y;PNP;50V;2A;TO-92MOD;TOSHIBA	[POAEN:03: {2.0}{}]	
8	2.0000	J71-64606-03203		TRANSISTOR;;IXYS;IXGH60N60C2;TO247	[POAEN:03: {2.0}{}]	



REVISION HISTORY				
REV	MEI/ECN	DESCRIPTION	DATE	APPROVED

24	A04-AEN01-17000	PSU PCB ASSY	1		
23	F88-30060-50277	BLACK,M3x6,FLAT HEAD,MACHINE	4		
22	A65-09000-25912	FAN GUARD	2		
21	F88-00000-23246	M5,BLACK,PLASTIC TAPPING	8		
20	F88-30080-30237	PLASTIC TAPPING,M3,BLACK	4		
19	F88-30060-30297	MACHINE,M3,BLACK	4		
18	F97-00000-31591	BRIDGE SLEEVE	1		
17	A65-23000-24593	BRIDGE IC CLIP	1		
16	A65-00000-23558	PSU-SHIELD	1		
15	F97-00000-28512	FIBER SHEET 4	1		
14	G58-00000-33079	PC SHEET PSU SHIELD	1		
13	F97-00000-21448	FIBER SHEET 3	1		
12	F97-00000-21447	FIBER SHEET 2	1		
11	A65-00000-40250	IC-CLIP-PSU	3		
10	F88-30150-30297	M3X15,MACHINE,BLACK,PAN HEAD	3		
9	A65-00000-23557	TOP COVER	1		
8	F88-30060-50291	SILVER,M3x6,FLAT HEAD,MACHINE	10		
7	F88-03064-2029A	MACHINE,M3,BLACK	15		
6	F88-30120-30297	M3X12,MACHINE,BLACK,PAN HEAD	5		
5	A65-00000-40249	IC-CLIP-AMP	5		
4	F97-00000-21446	FIBER SHEET 1	1		
3	A05-AEQ02-00102	AMP PCB DSP	1		FDR NU6000DSP
	A05-AEN02-00104	AMP PCB	1		FDR NU6000
2	J05-00000-32744	CHASSIS WITH DSP	1		FDR NU6000DSP
	J05-00000-32721	CHASSIS	1		FDR NU6000
1	A04-AEQ00-02000	FRONT PANEL WITH DSP ASSY	1		FDR NU6000DSP
	A04-AEN00-00000	FRONT PANEL ASSY	1		FDR NU6000
ITEM	PART NUMBER	DESCRIPTION	QTY.	ITEM CODE.	REMARKS

ITEM	PART NUMBER	DESCRIPTION	QTY.	ITEM CODE	REMARKS
36					
35					
34	B20-00000-39637	CIRCUIT BREAKER	1		FDR EU VERSION
	B20-00000-39640	CIRCUIT BREAKER	1		FDR UL VERSION
33	A65-00000-22589	AMP SHIELD	1		FDR NU6000DSP
32	G51-01200-01762	RUBBER FOOT	4		
31	F97-00000-36815	ALUMINA SHEET AMP	8		
30	F87-00000-28515	RUBBER PAD	4		
29	F89-32023-00194	ALUMINA SHEET PSU 1	4		
28	F88-00000-22569	SILVER,TAPPING,FLAT HEAD,M3X7	4		
27		OUTPUT PCB ASSY	1		
26	F97-00000-26098	ALUMINA SHEET PSU 2	2		
25	A31-00000-26278	FAN	2		

PROJECT/ MODEL: POAEN POAEO		COMMENTS: iNuke 6000		BEHRINGER <small>All information (including drawings and diagrams) contained in this document is the property of BEHRINGER. Addressee who the information is confined to shall maintain the information in confidence and shall not release it to any unauthorized third parties (except under attorney-client privilege or under appropriate confidentiality agreements). Any unauthorized disclosure, use, application or any other dealings in the information shall result in civil and/or (where applicable) criminal liabilities and penalties.</small>	
		FILENAME: NU6000 EXPLODED DRAWING		JUST LISTEN.	
DRAWN MC CHEN 2011-07-30	CHECKED MC CHEN 2011-07-30	APPROVED DENNY YIN 2011-07-30	SIZE A3	ARTWORK NO. XXX-XXXXX-XXXXX	PART NO. 014-00000-41585
SCALE 1.0			UNIT mm	SHEET 1 OF 1	



We Hear You