

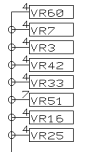
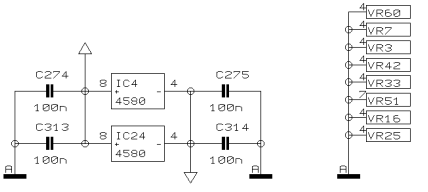
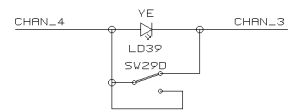
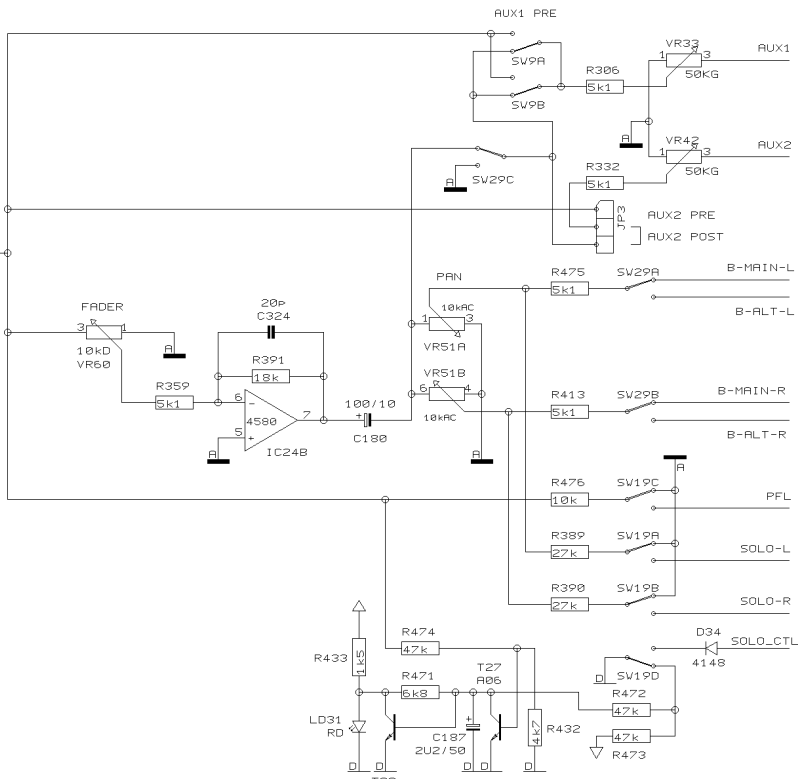
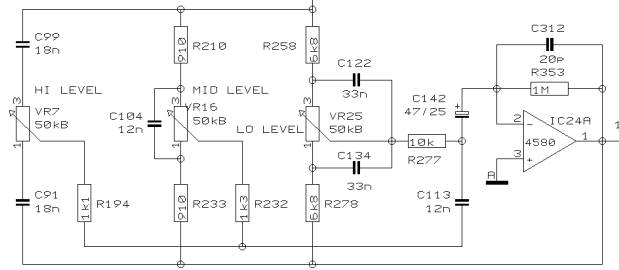
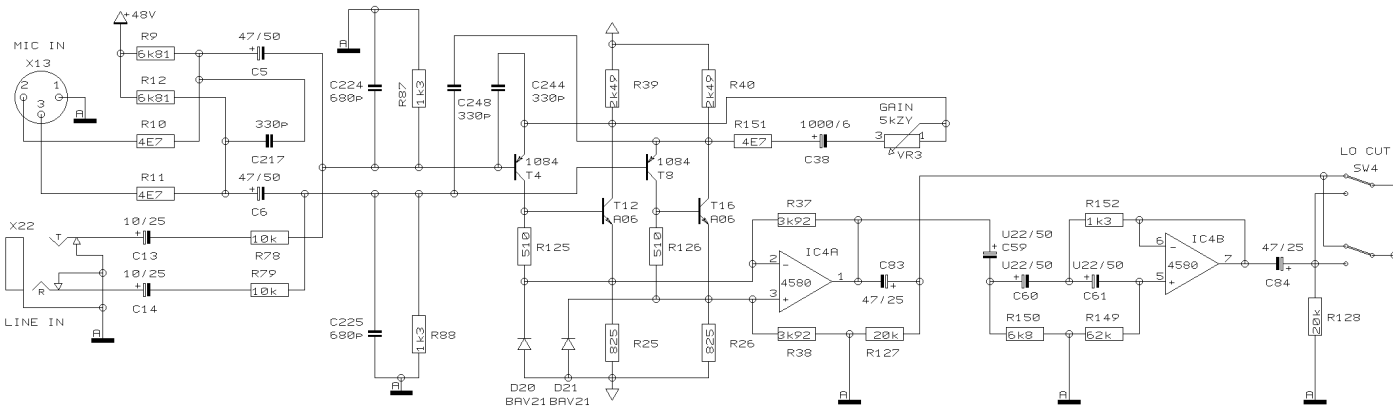
REVISIONS E (12/01/2000)

DRAWN \_\_\_\_\_ CHECKED \_\_\_\_\_ DATE 05.02. 1 10:22



PROJECT  
MX1604  
EURORACK MX1604  
MONO CHANNEL 1  
SHEET 1 OF 11 SHEETS TOTAL

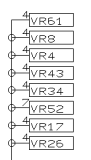
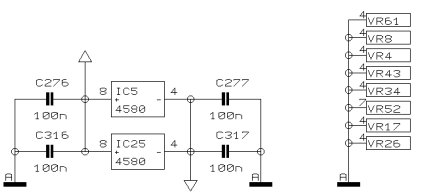
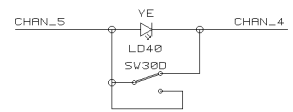
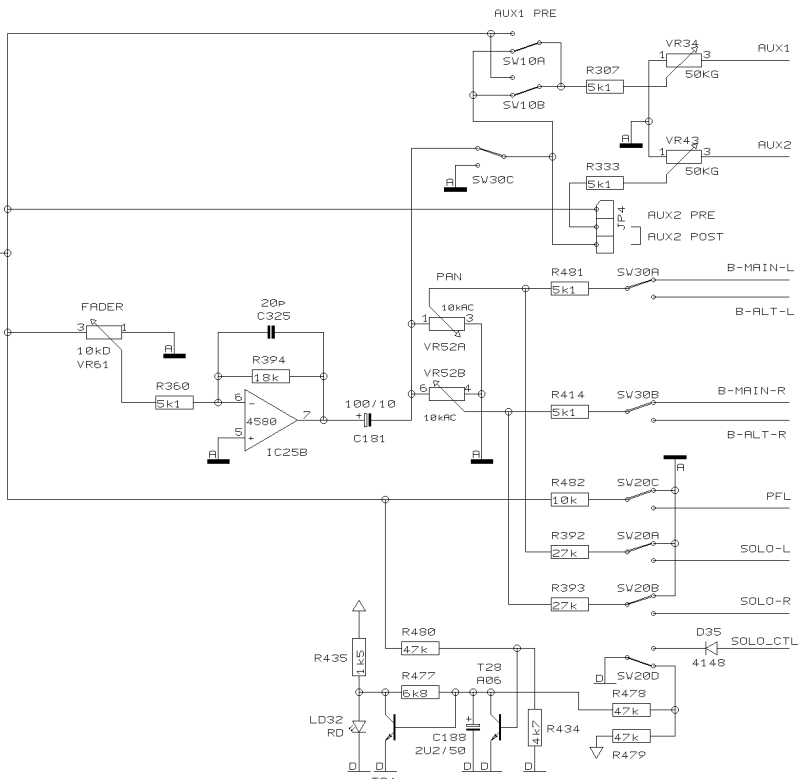
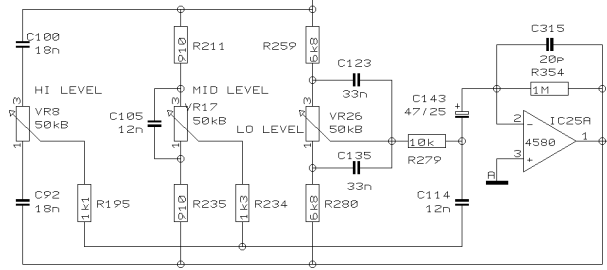
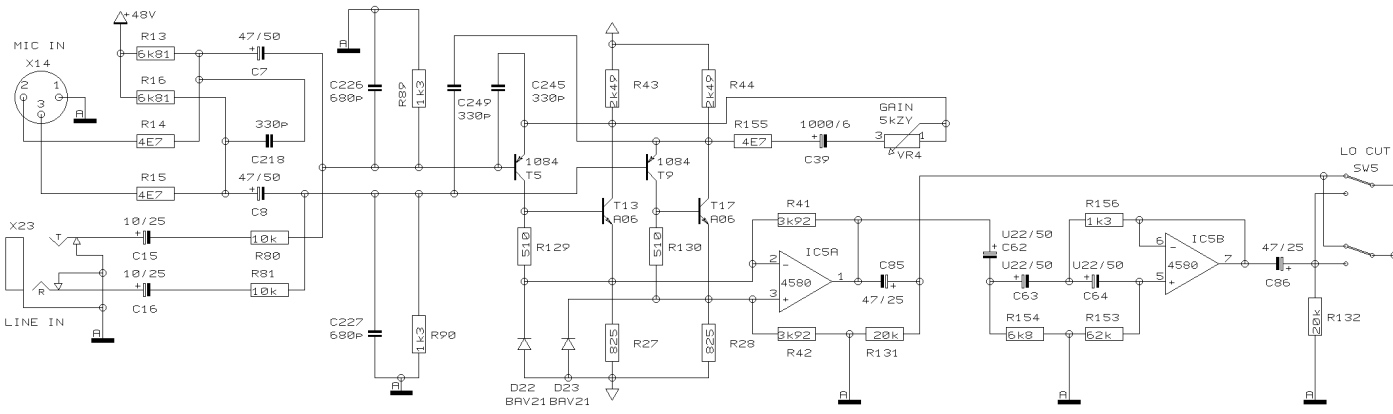




REVISIONS E		
DRAWN	CHECKED	DATE 05.02. 1 10:22



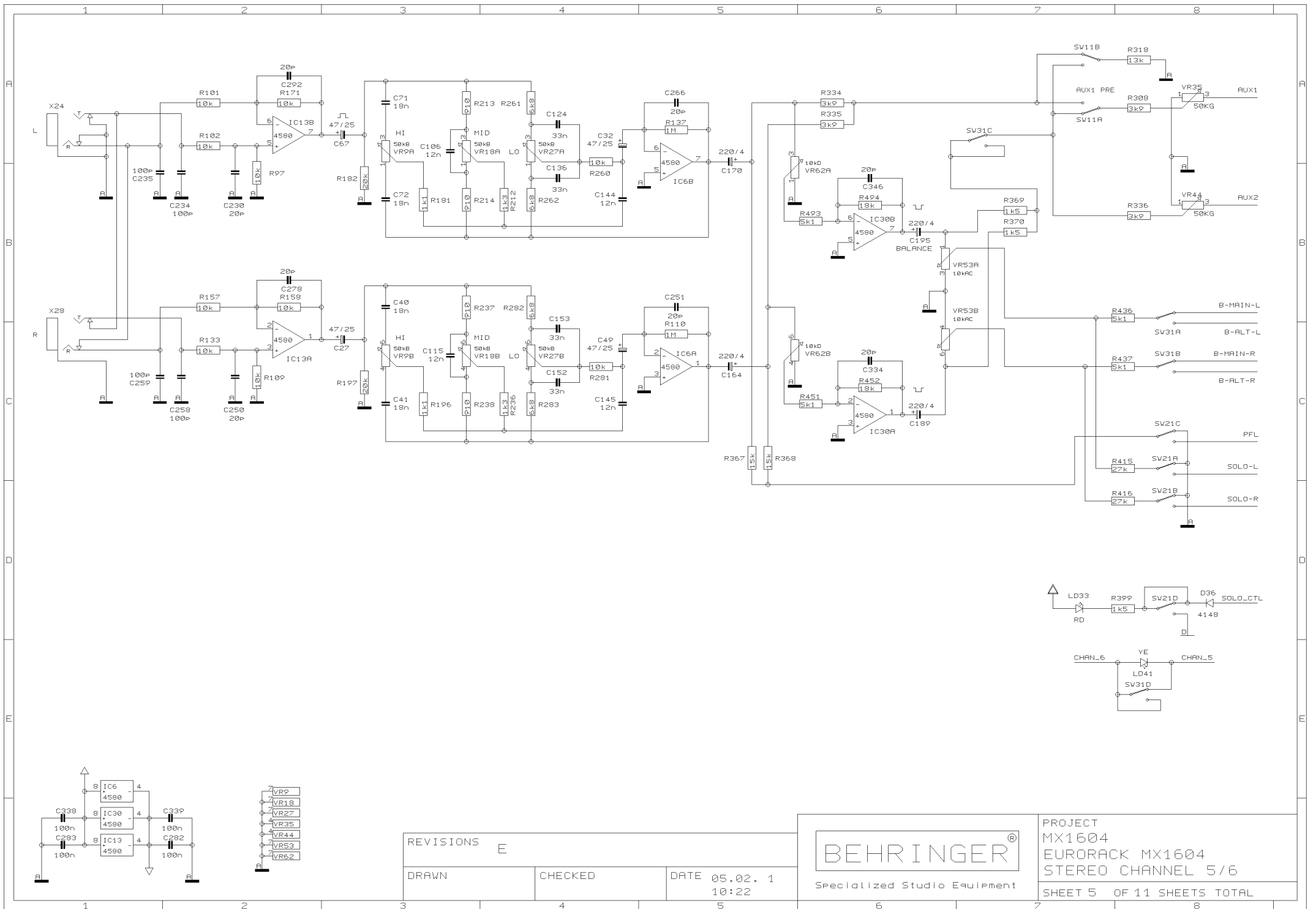
PROJECT  
MX1604  
EURORACK MX1604  
MONO CHANNEL 3  
SHEET 3 OF 11 SHEETS TOTAL



REVISIONS		
E		
DRAWN	CHECKED	DATE 05.02. 10:22



PROJECT  
 MX1604  
 EURORACK MX1604  
 MONO CHANNEL 4  
 SHEET 4 OF 11 SHEETS TOTAL



REVISIONS E

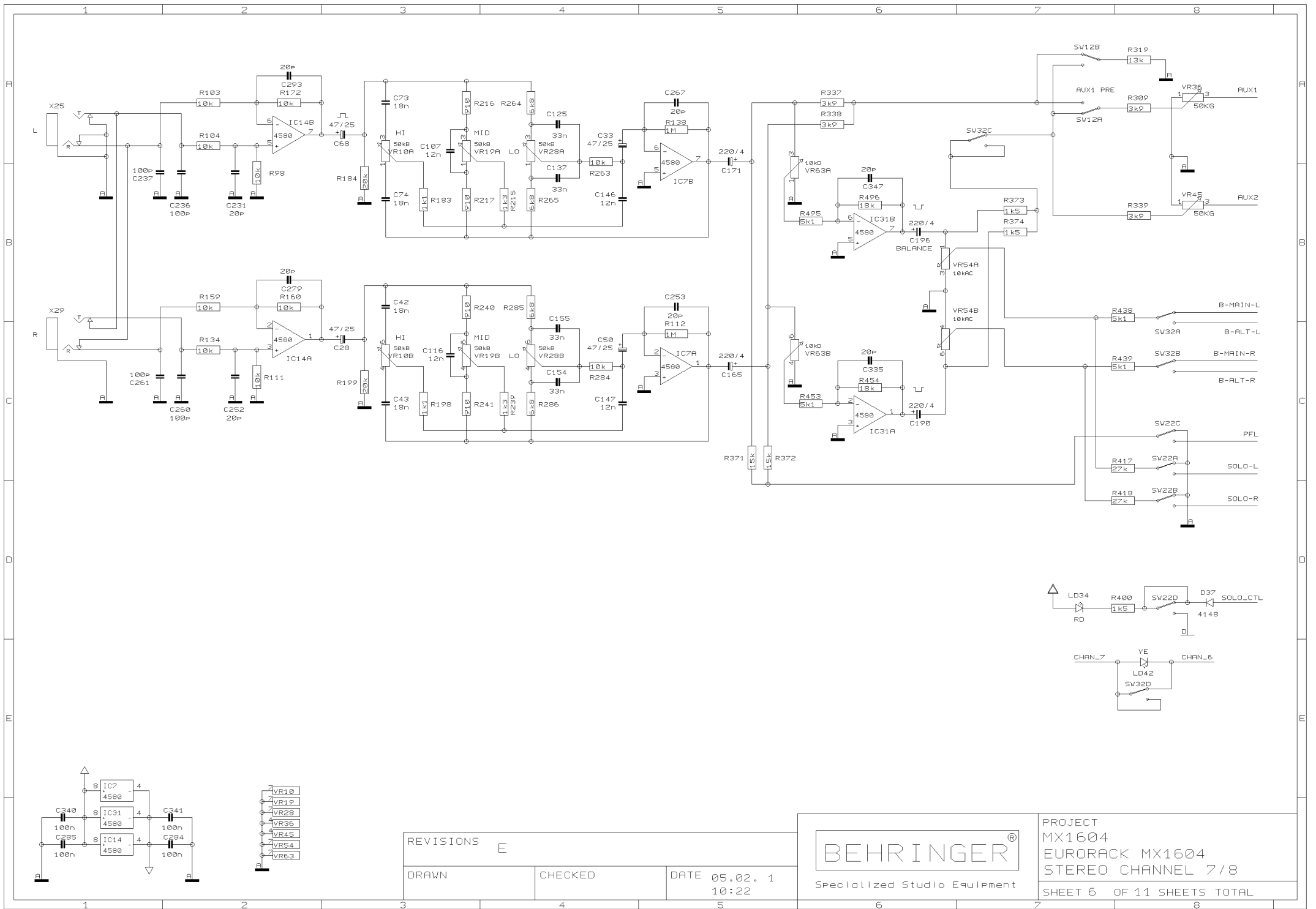
DRAWN

CHECKED

DATE 05.02. 1  
10:22



PROJECT  
MX1604  
EURORACK MX1604  
STEREO CHANNEL 5/6  
SHEET 5 OF 11 SHEETS TOTAL



REVISIONS E

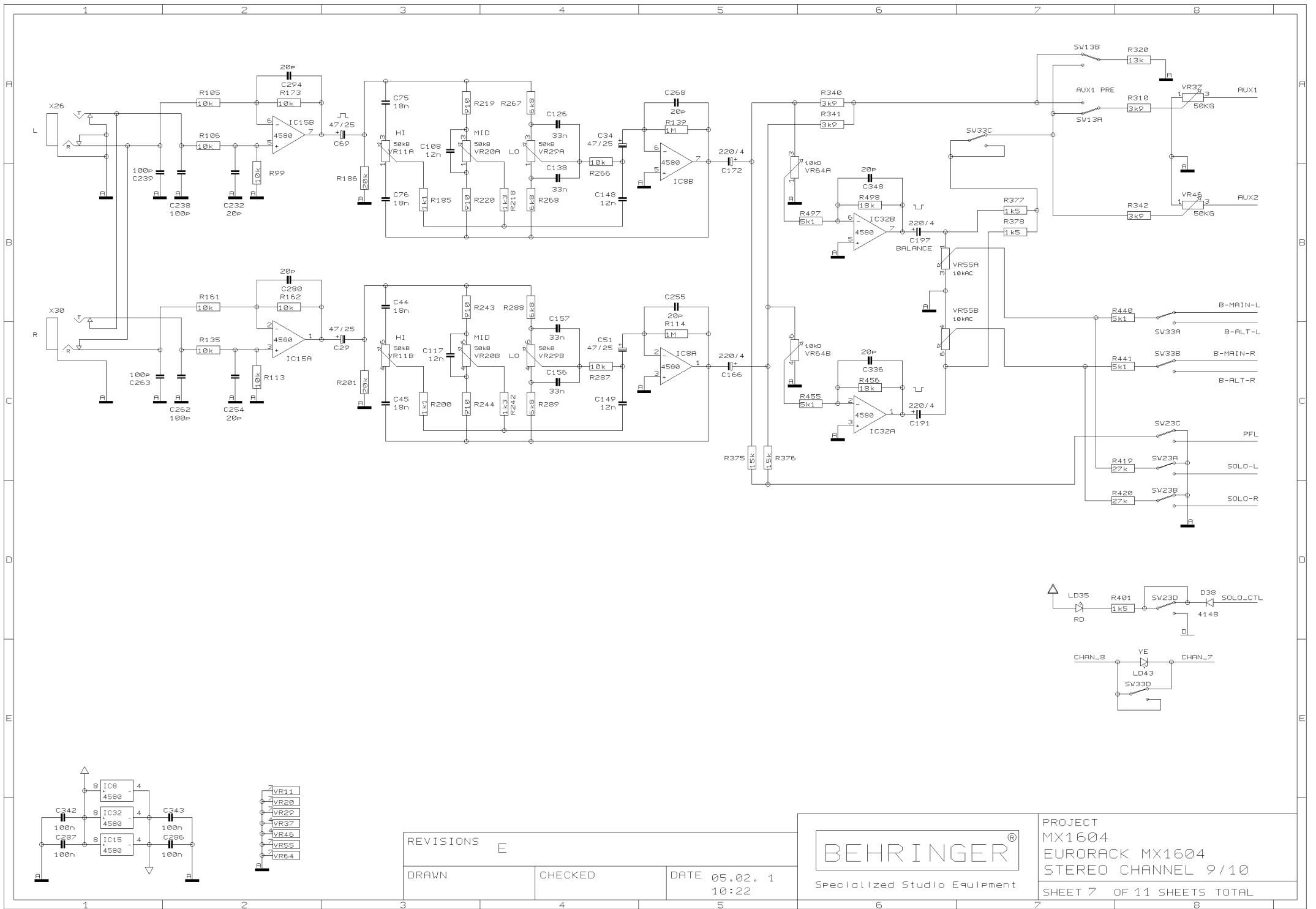
DRAWN

CHECKED

DATE 05.02. 1  
10:22



PROJECT  
MX1604  
EURORACK MX1604  
STEREO CHANNEL 7/8  
SHEET 6 OF 11 SHEETS TOTAL



REVISIONS E

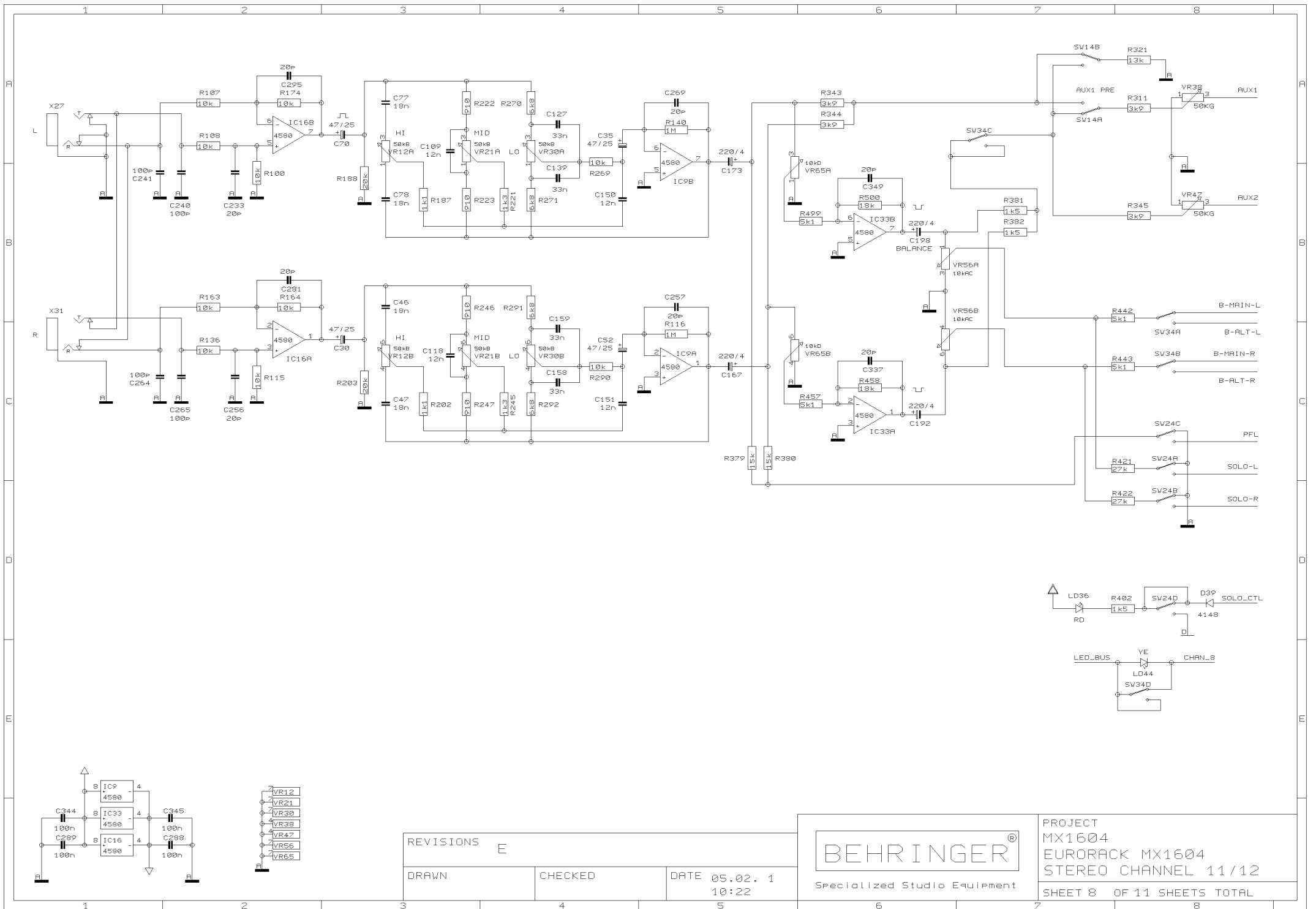
DRAWN

CHECKED

DATE 05.02. 1  
10:22



PROJECT  
MX1604  
EURORACK MX1604  
STEREO CHANNEL 9/10  
SHEET 7 OF 11 SHEETS TOTAL



REVISIONS E

DRAWN

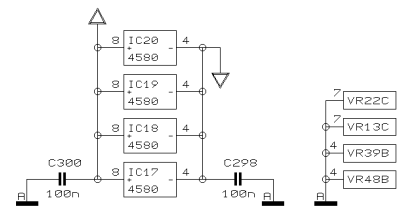
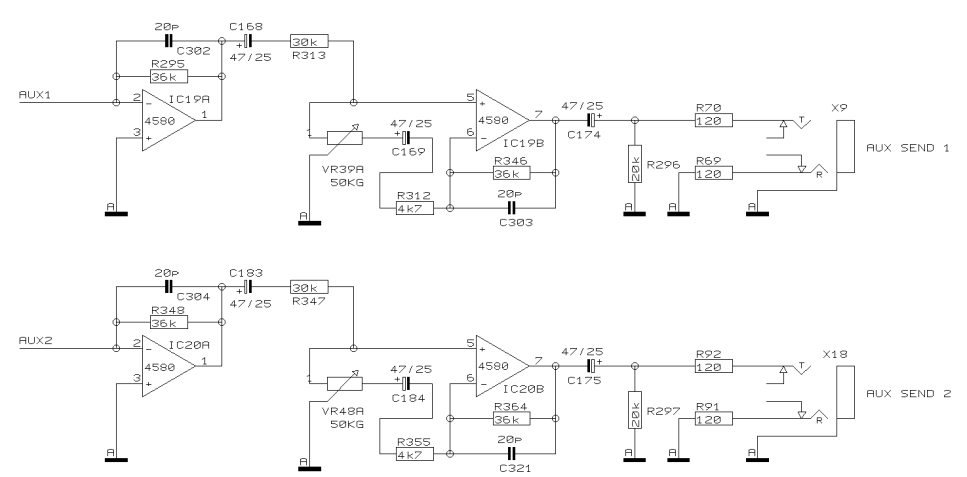
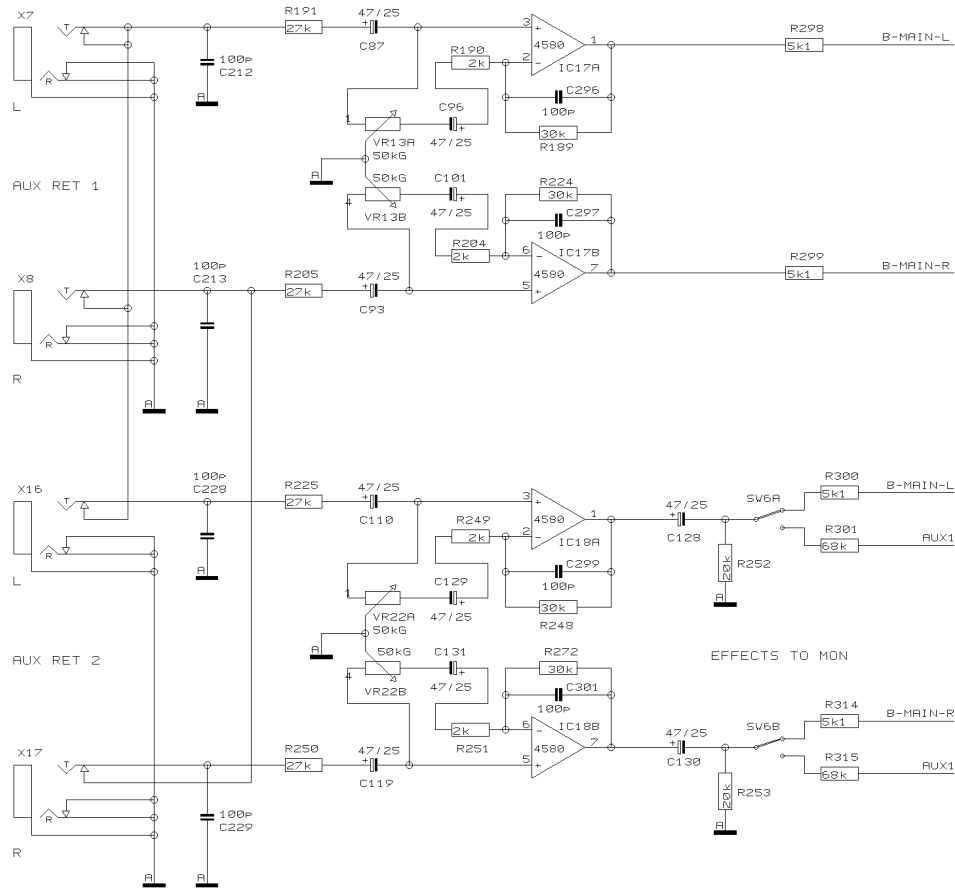
CHECKED

DATE 05.02. 1  
10:22



PROJECT  
MX1604  
EURORACK MX1604  
STEREO CHANNEL 11/12  
SHEET 8 OF 11 SHEETS TOTAL

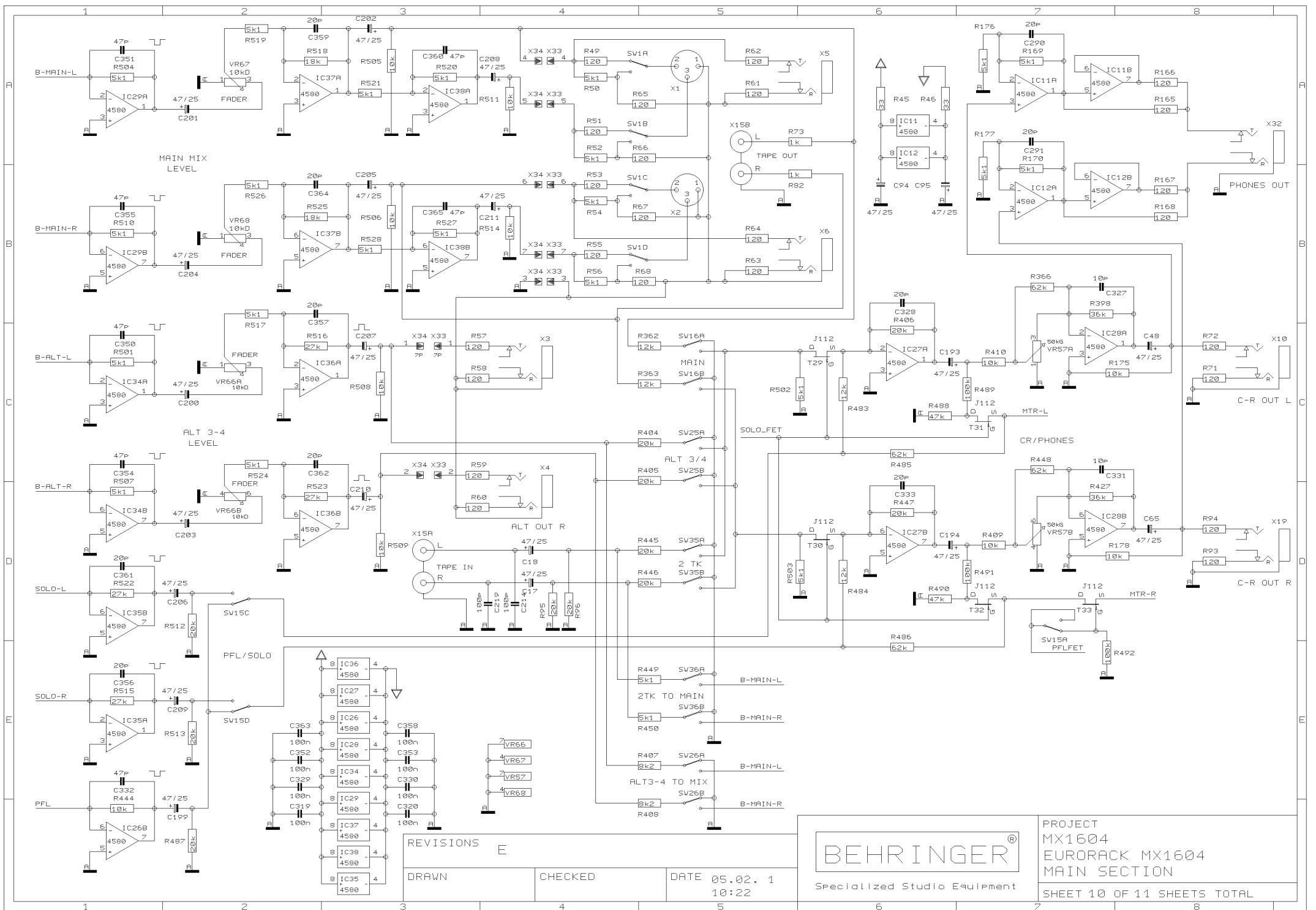




REVISIONS		
E		
DRAWN	CHECKED	DATE 05.02. 1 10:22

**BEHRINGER**<sup>®</sup>  
Specialized Studio Equipment

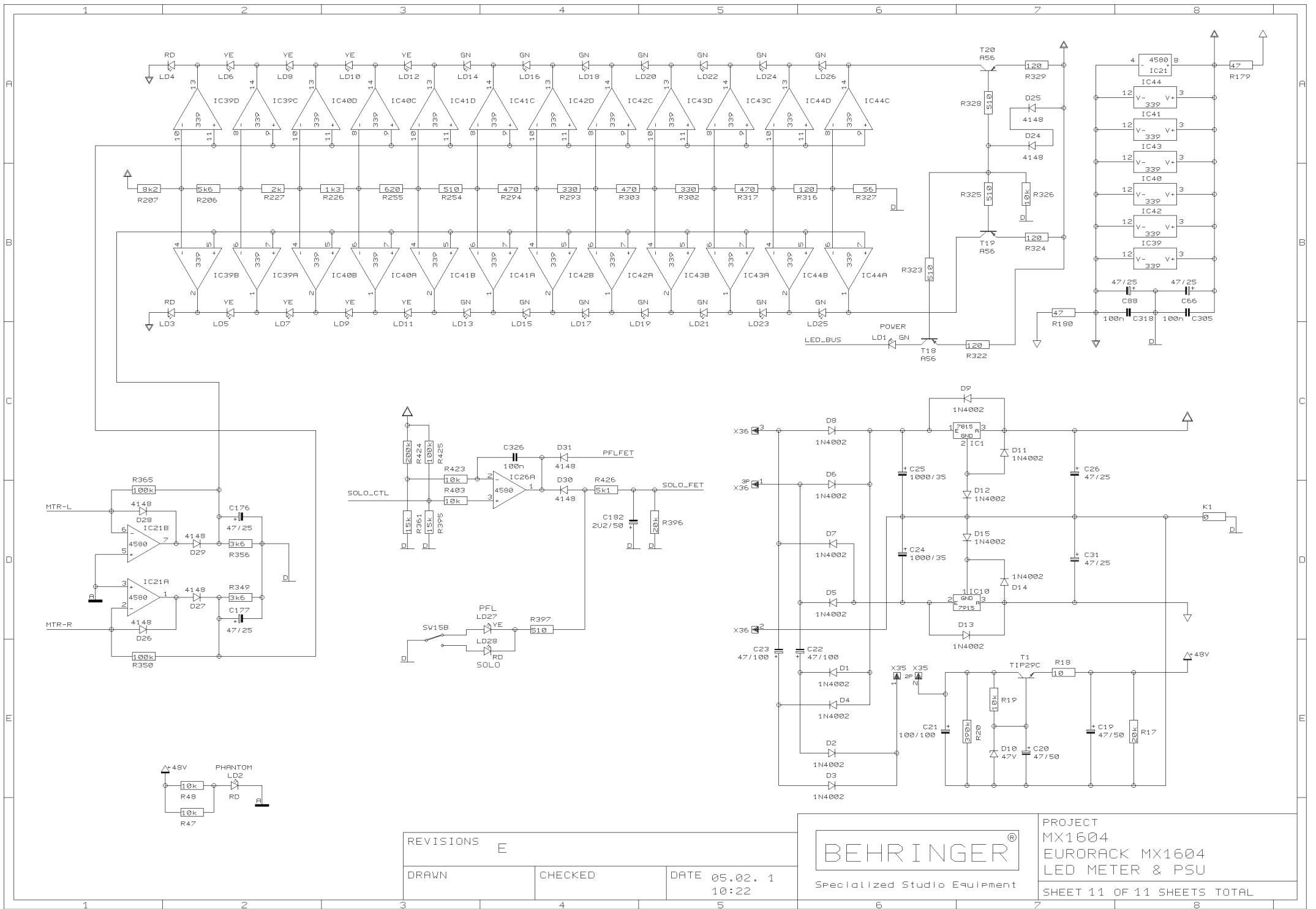
PROJECT  
MX1604  
EURORACK MX1604  
AUX SENDS & AUX RETURNS  
SHEET 9 OF 11 SHEETS TOTAL



REVISIONS		
E		
DRAWN	CHECKED	DATE 05.02. 1 10:22



PROJECT  
MX1604  
EURORACK MX1604  
MAIN SECTION  
SHEET 10 OF 11 SHEETS TOTAL



REVISIONS E

DRAWN

CHECKED

DATE 05.02. 1  
10:22



PROJECT  
MX1604  
EURORACK MX1604  
LED METER & PSU  
SHEET 11 OF 11 SHEETS TOTAL