

REVISIONS

DRAWN

CHECKED

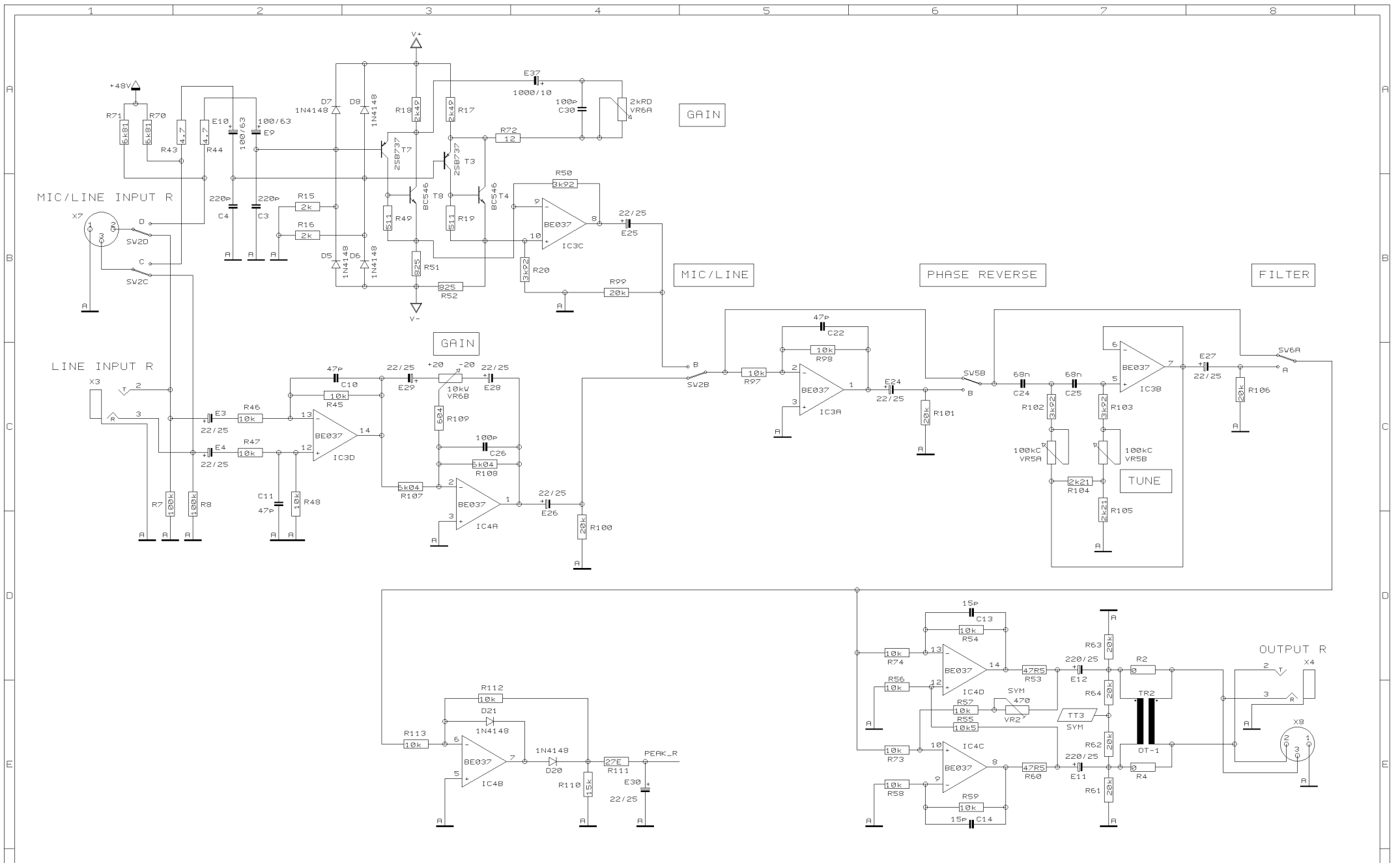
DATE 16.02. 1
9:37



Specialized Studio Equipment

PROJECT
MIC2000B
MODEL MIC 2000
CHANNEL 1

SHEET 1 OF 3 SHEETS TOTAL



REVISIONS

DRAWN

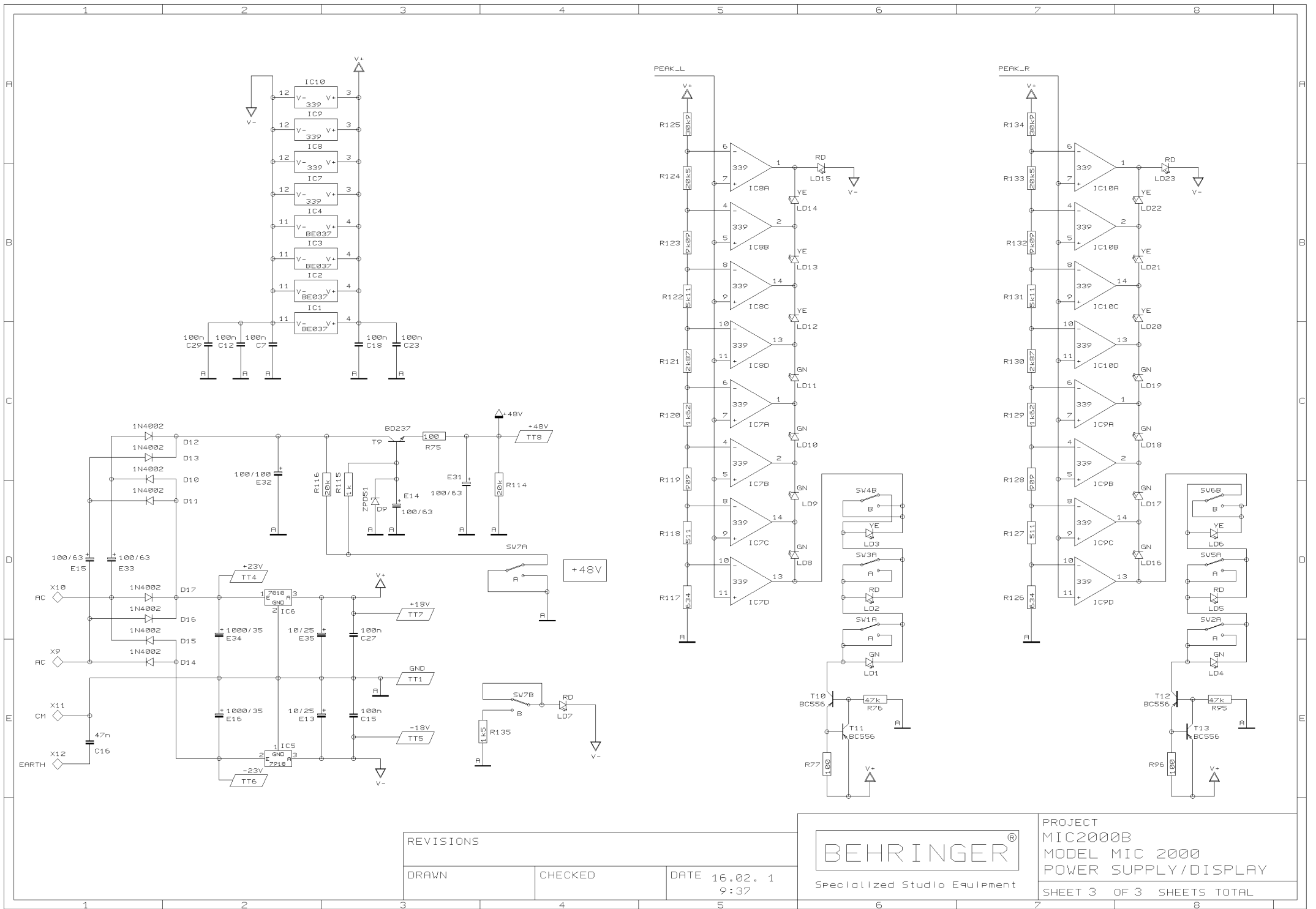
CHECKED

DATE 16.02. 1
9:37



PROJECT
MIC2000B
MODEL MIC 2000
CHANNEL 2

SHEET 2 OF 3 SHEETS TOTAL



REVISIONS

DRAWN

CHECKED

DATE 16.02. 1
9:37



Specialized Studio Equipment

PROJECT
MIC2000B
MODEL MIC 2000
POWER SUPPLY/DISPLAY

SHEET 3 OF 3 SHEETS TOTAL