

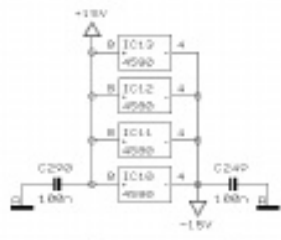
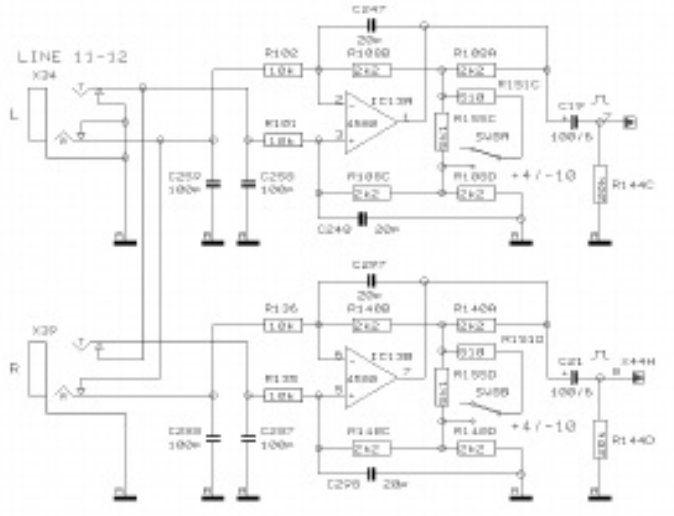
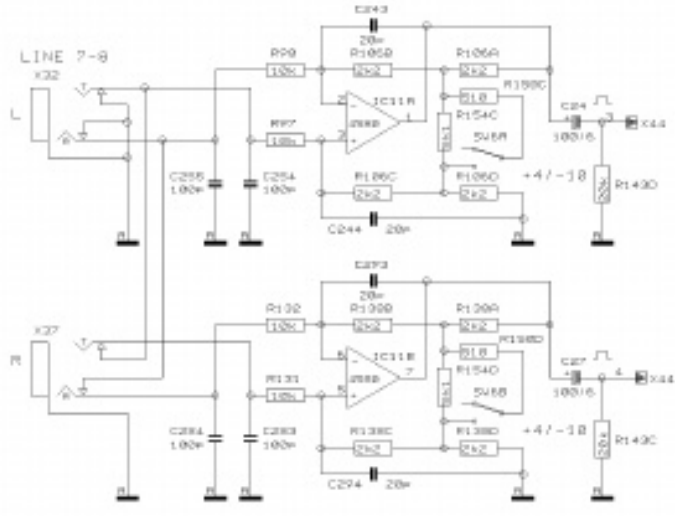
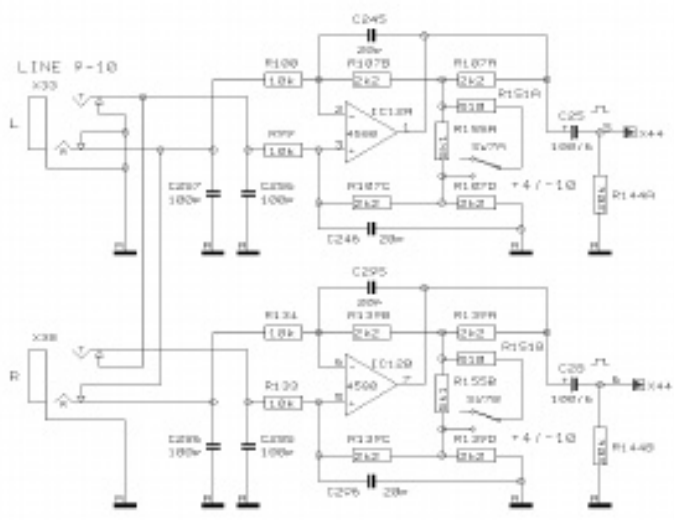
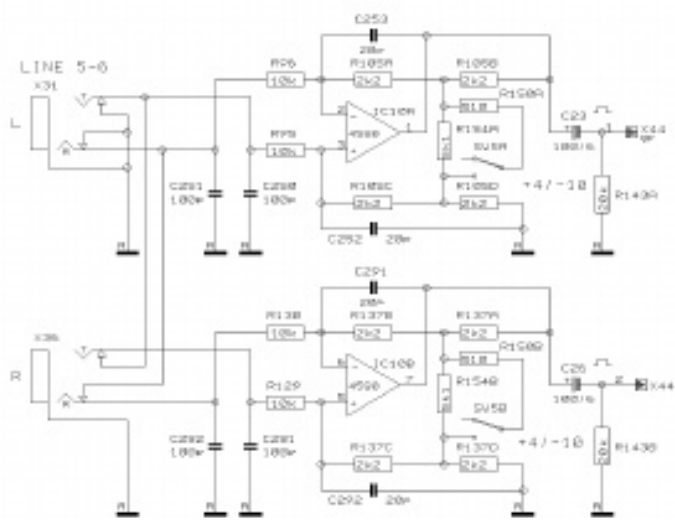
REVISIONS A (09/12/05)

DRAWN TD CHECKED DATE 10.01.7 10:32



Specialized Studio Equipment

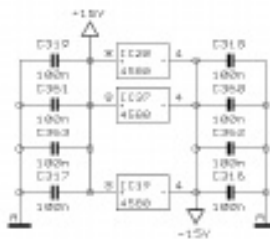
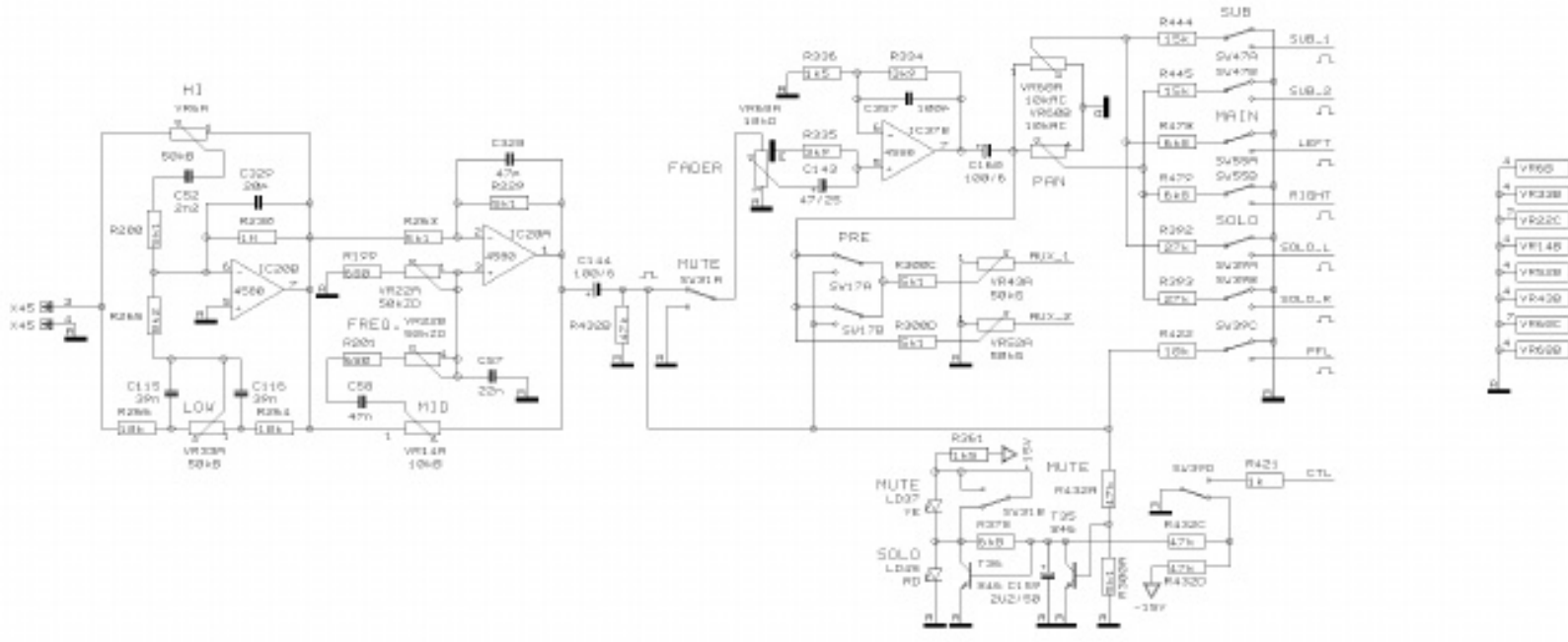
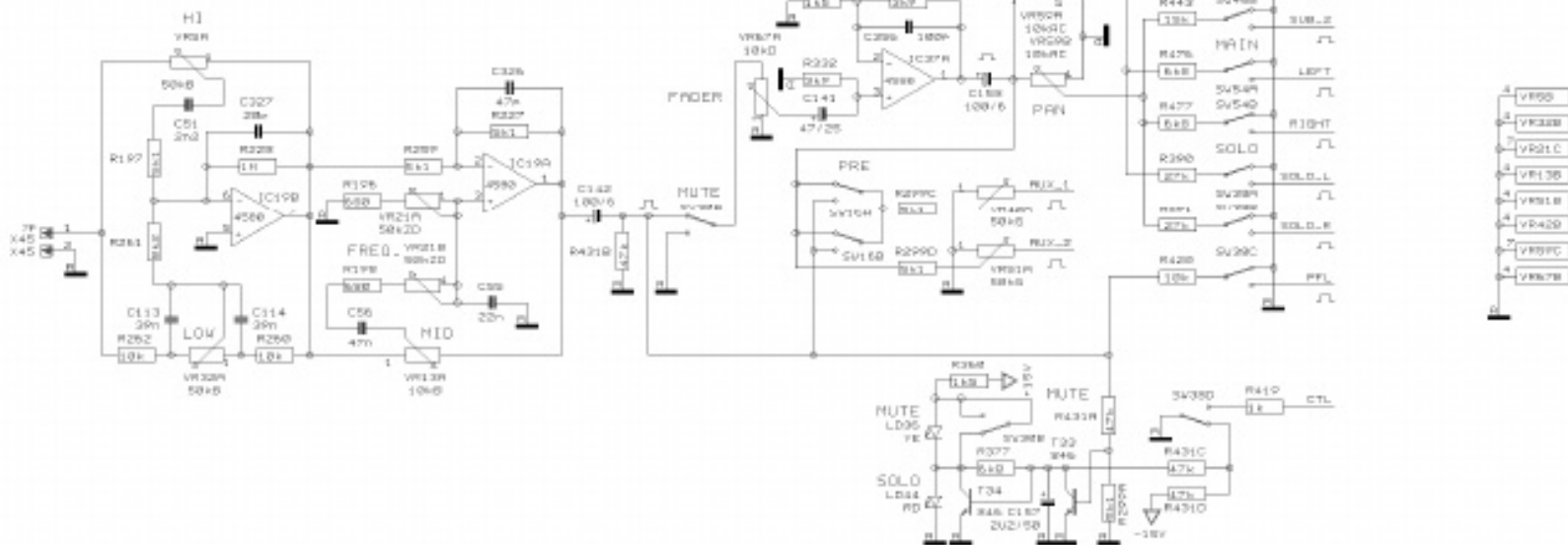
PROJECT 1622FX  
 XENYX 1622FX  
 MIC INPUT CH. 1-4  
 SHEET 1 OF 10 SHEETS TOTAL



REVISIONS		A
DRAWN	TD	CHECKED
DATE		10.01.7 10:32

**BEHRINGER**  
Specialized Studio Equipment

PROJECT  
1622FX  
XENYX 1622FX  
INPUT CH. 9-16  
SHEET 2 OF 10 SHEETS TOTAL

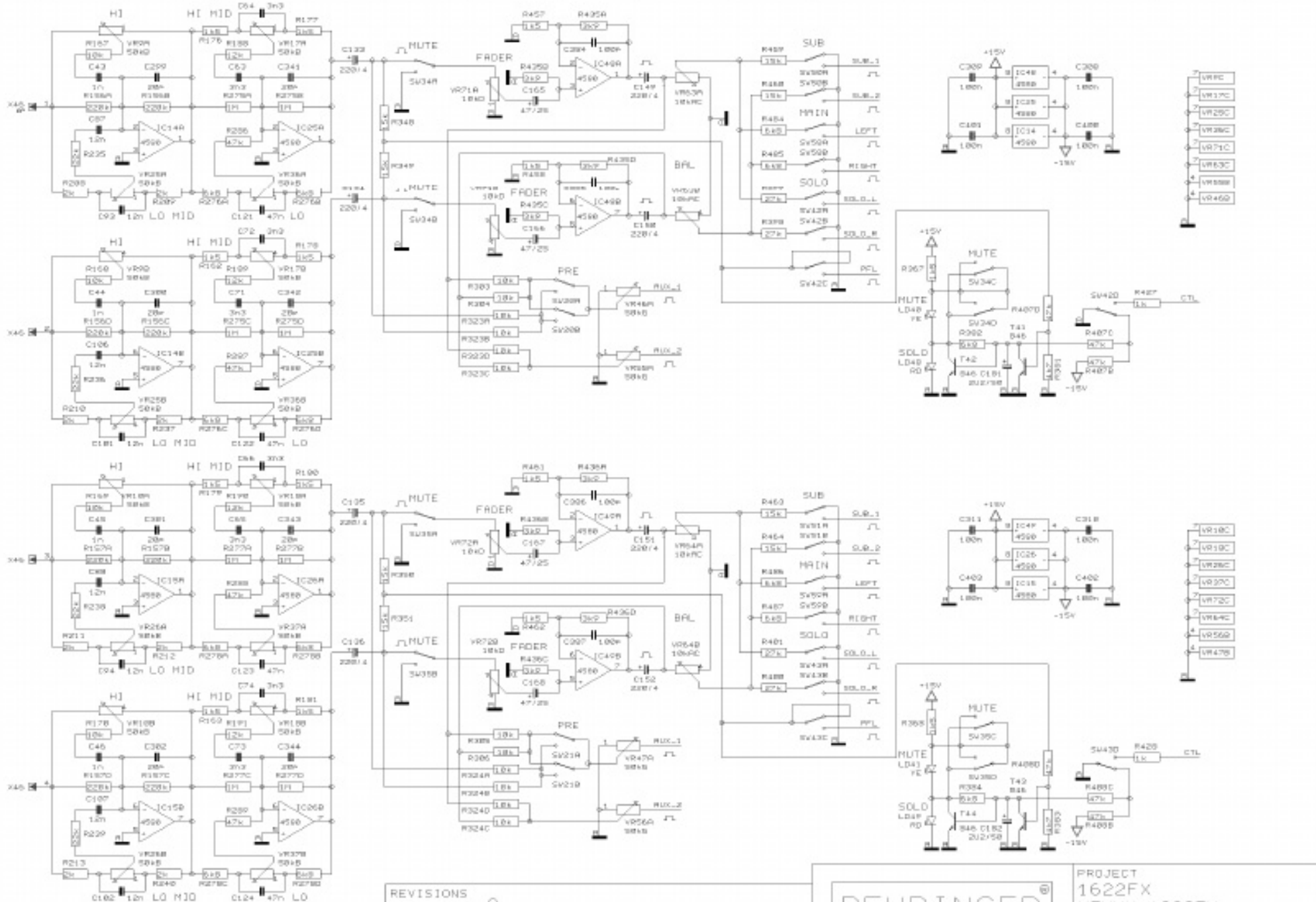


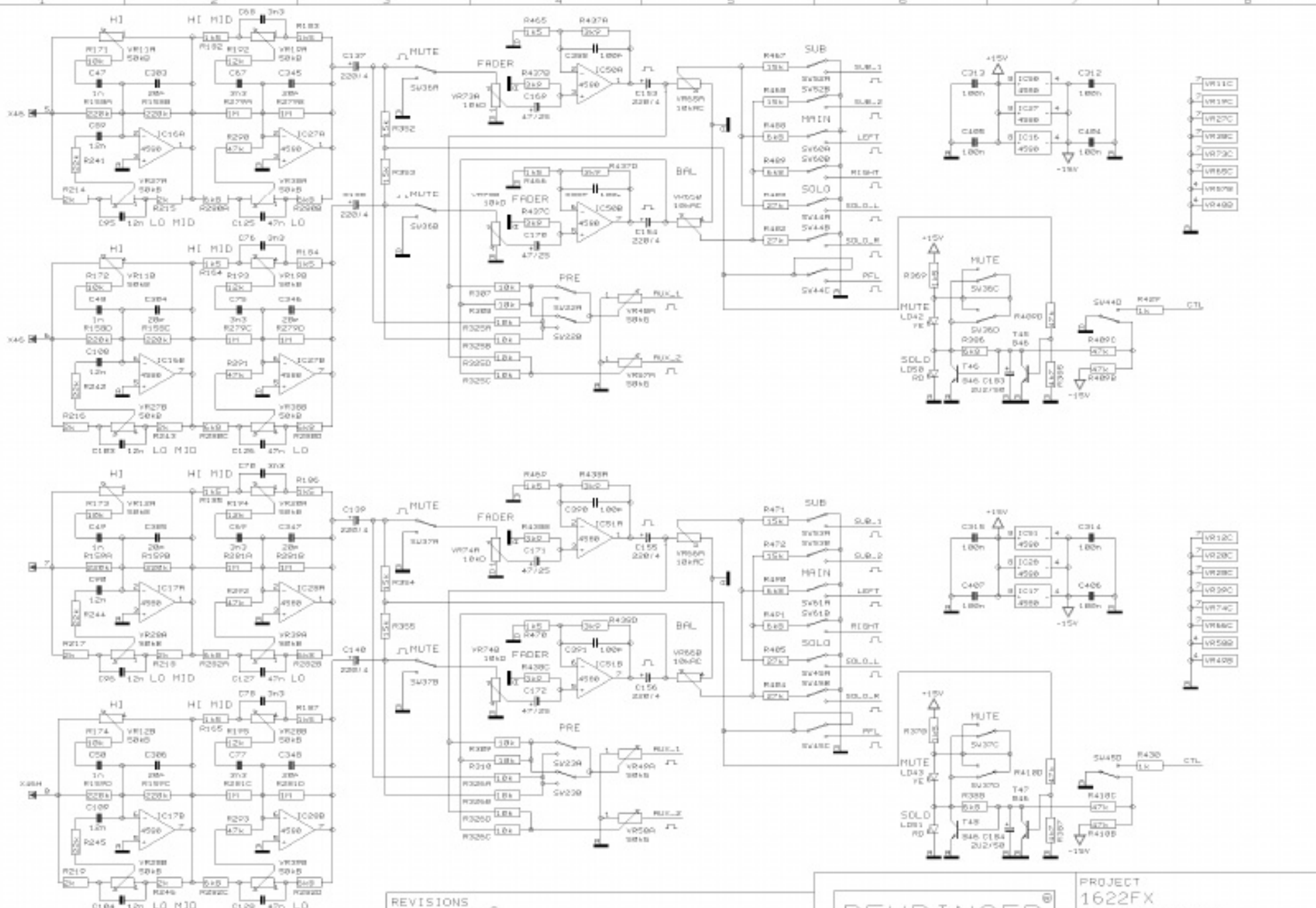
REVISIONS A

DRAWN TD







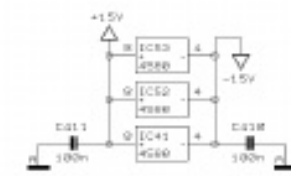
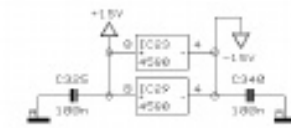
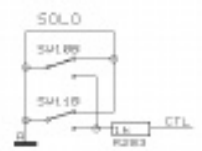
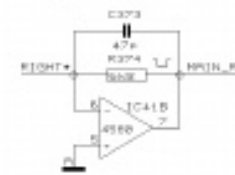
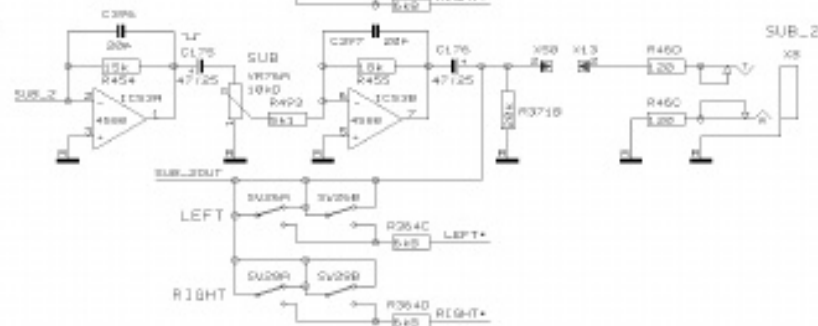
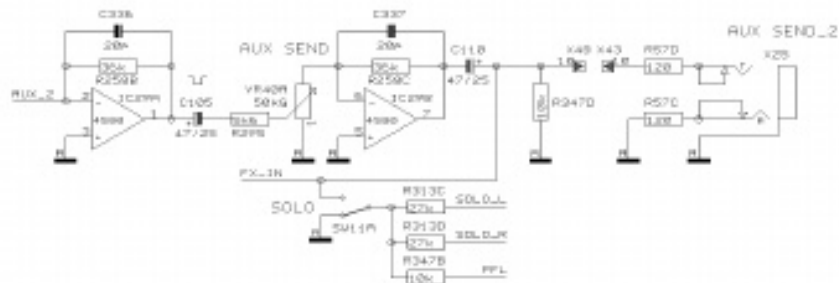
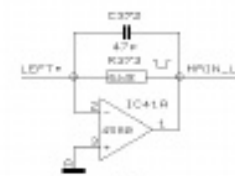
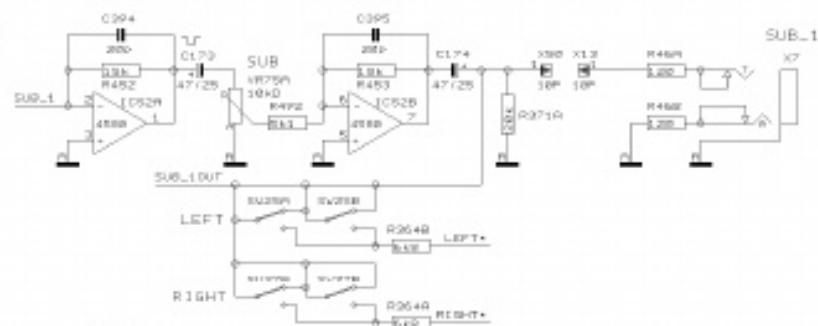
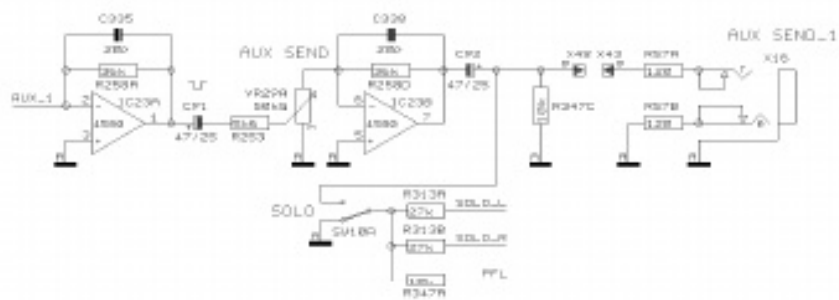


REVISIONS		
A		
DRAWN	CHECKED	DATE
TD		10.01.7 10:32

**BEHRINGER**  
Specialized Studio Equipment

PROJECT  
1622FX  
XENYX 1622FX  
STEREO CHANNEL 9-12  
SHEET 6 OF 10 SHEETS TOTAL





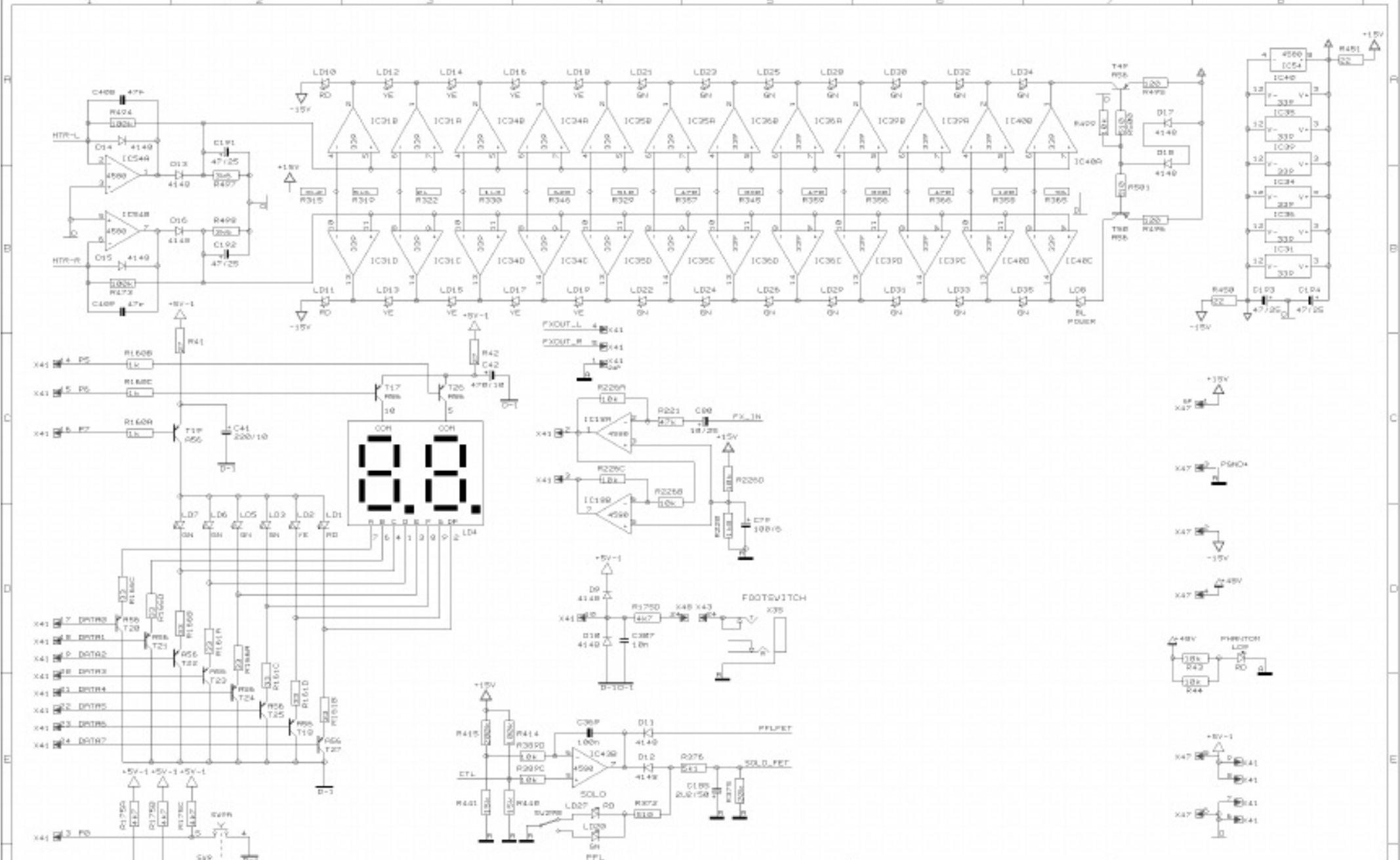
REVISIONS		
A		
DRAWN	CHECKED	DATE
TD		10.01.7 10:32



PROJECT  
1622FX  
XENYX 1622FX  
AUX SENDS/SUB OUTS 1-2  
SHEET 8 OF 10 SHEETS TOTAL



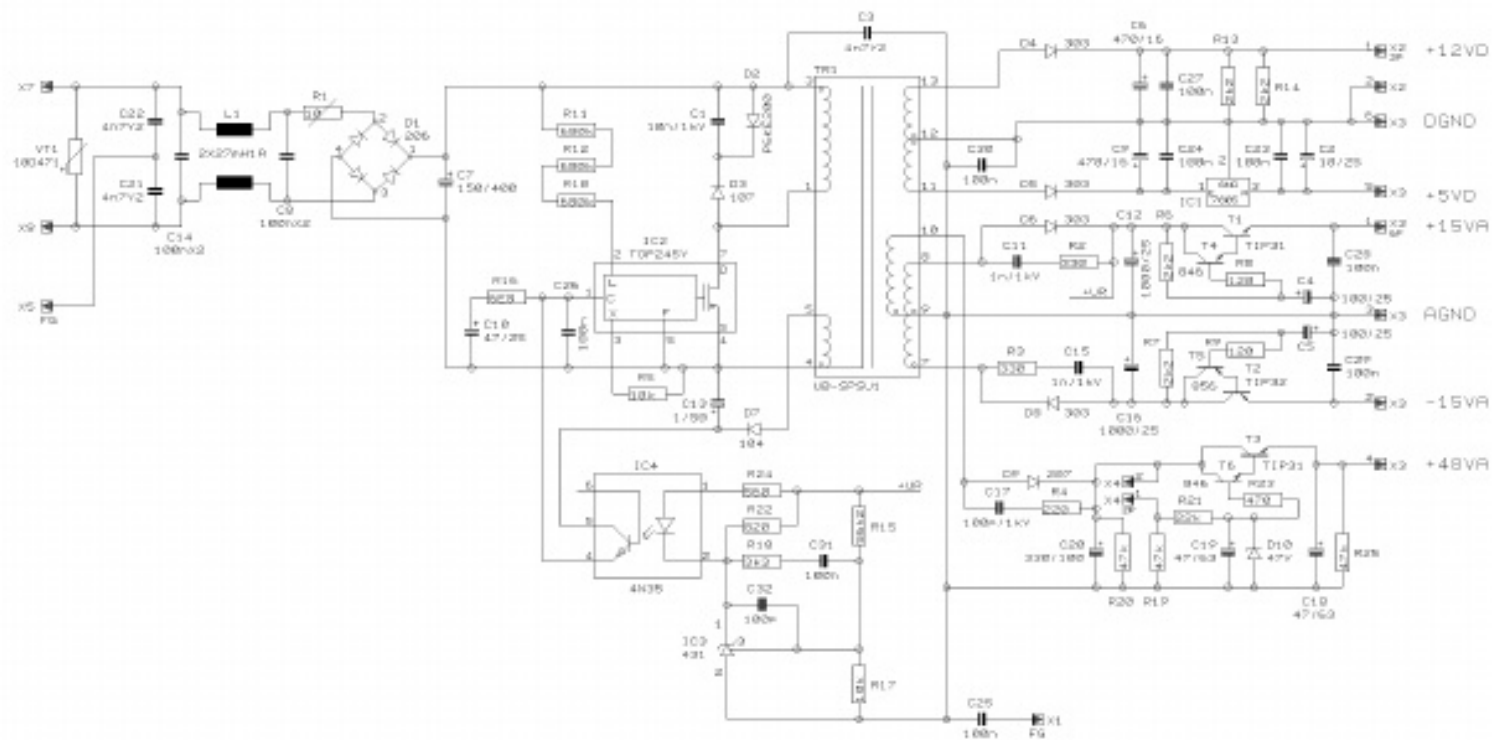




REVISIONS	A		
DRAWN	TD	CHECKED	DATE 10.01.7 10:32

**BEHRINGER**  
Specialized Studio Equipment

PROJECT  
1622FX  
XENYX 1622FX  
LED DISPLAY & PSU  
SHEET 10 OF 10 SHEETS TOTAL



REVISIONS F (07/09/04)

DRAWN TZ

CHECKED

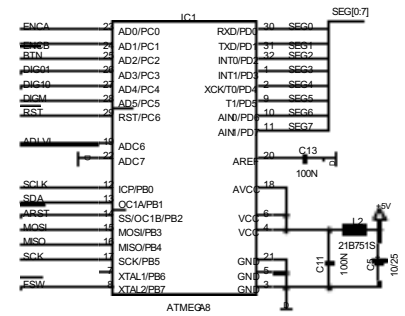
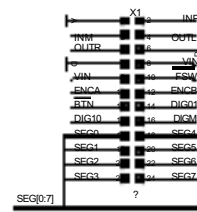
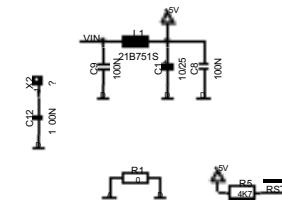
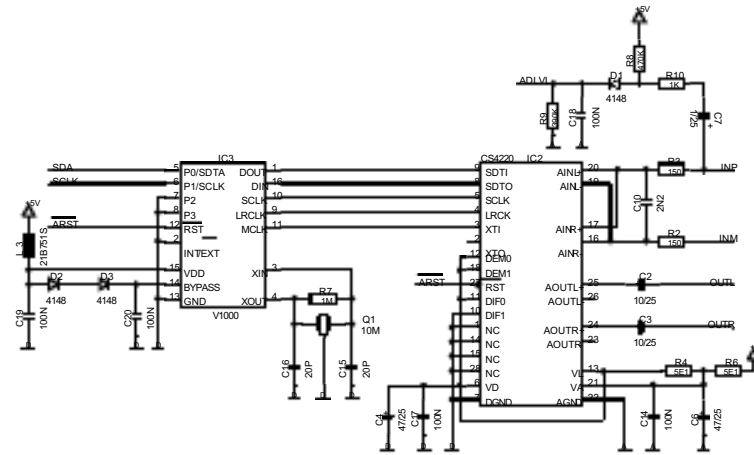
DATE 23.11. 6  
14:27

BEHRINGER®

Specialized Studio Equipment

PROJECT  
UB-SPSU2  
SWITCH MODE PSU  
FOR UB MIXER SERIES

SHEET 1 OF 1 SHEETS TOTAL



D.F.E. NAME		V1000 BASED FXMODULE REPLACEMENT FOR DPM5M	
DRWN	14.06.2005	TK	
CHKD			
APPR			
REV		DATE	INT FILE
B	14.06.2005	TK	DEM5/1000
A	14.06.2005	TK	
CHANGES		DATE	INT FILE

ALL INFORMATION (INCLUDING DRAWINGS AND DIAGRAMS) CONTAINED IN THIS DOCUMENT IS THE PROPERTY OF BEHRINGER. ADDRESSEES WHOM THE INFORMATION IS CONFIDED TO SHALL MAINTAIN THE INFORMATION IN CONFIDENCE AND SHALL NOT RELEASE IT TO ANY UNAUTHORIZED THIRD PARTIES (EXCEPT UNDER ATTORNEY-CLIENT PRIVILEGE OR UNDER APPROPRIATE CONFIDENTIALITY AGREEMENTS). ANY UNAUTHORIZED DISCLOSURE, USE, APPLICATION OR ANY OTHER DEALINGS IN THE INFORMATION SHALL RESULT IN CIVIL AND/OR (WHERE APPLICABLE) CRIMINAL LIABILITIES AND PENALTIES.

SHEET 1 OF 1