

THE COOPERATION OF THE MANUFACTURER OF THIS EQUIPMENT MAKES IT POSSIBLE TO BRING YOU THIS SERVICE

EQUALIZER SWITCH (M4) SHOWN IN POSITION "E". SWITCH SEQUENCE

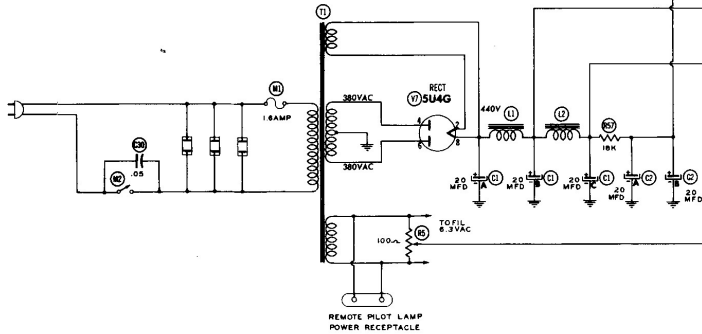
- 1.- A
- 2.- B
- 3.- C
- 4.- D
- 5.- E

INPUT SELECTOR SWITCH (M3) SHOWN IN TV POSITION SWITCH SEQUENCE

- 1.- TV
- 2.- MAG.
- 3.- RADIO
- 4.- XTAL
- 5.- TAPE

*** SEE PARTS LIST FOR VALUE AND APPLICATION**

1. DC Voltage measurements are at 20,000 ohms per volt; AC Voltages measured at 1000 ohms per volt.
2. Socket connections are shown as bottom views.
3. Measured values are from socket pin to common negative.
4. Line voltage maintained at 117 Volts for voltage readings.
5. Nominal tolerance on component values makes possible a variation of ±15% in voltage and resistance readings.
6. All controls at minimum, proper output load connected.



RESISTANCE READINGS

Item	Tube	Pin 1	Pin 2	Pin 3	Pin 4	Pin 5	Pin 6	Pin 7	Pin 8
V 1	12SC7	0Ω	†172KΩ	10Meg	10Meg	†172KΩ	0Ω	200Ω	200Ω
V 2	6SL7GT	1.2Meg	†145KΩ	2.2KΩ	10Ω	†145KΩ	2.2KΩ	200Ω	200Ω
V 3	6SN7GTA	2.2Meg	†74KΩ	56KΩ	10KΩ	†118KΩ	3.3KΩ	200Ω	200Ω
V 4	6SL7GT	1.2Meg	†100KΩ	4.8KΩ	1.2Meg	†100KΩ	4.8KΩ	200Ω	200Ω
V 5	5881	0Ω	200Ω	†370Ω	†2.1KΩ	470KΩ	100Ω	200Ω	200Ω
V 6	5881	0Ω	200Ω	†320Ω	†2.1KΩ	470KΩ	100Ω	200Ω	200Ω
V 7	5U4G	INF	20KΩ	INF	44Ω	INF	46Ω	INF	20KΩ

† MEASURED TO PIN 2 OF V7

■ 6.3VAC MEASURED ACROSS FILAMENTS.