

INPUT (CH1)

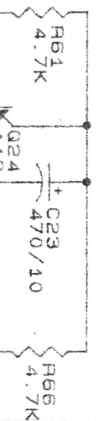
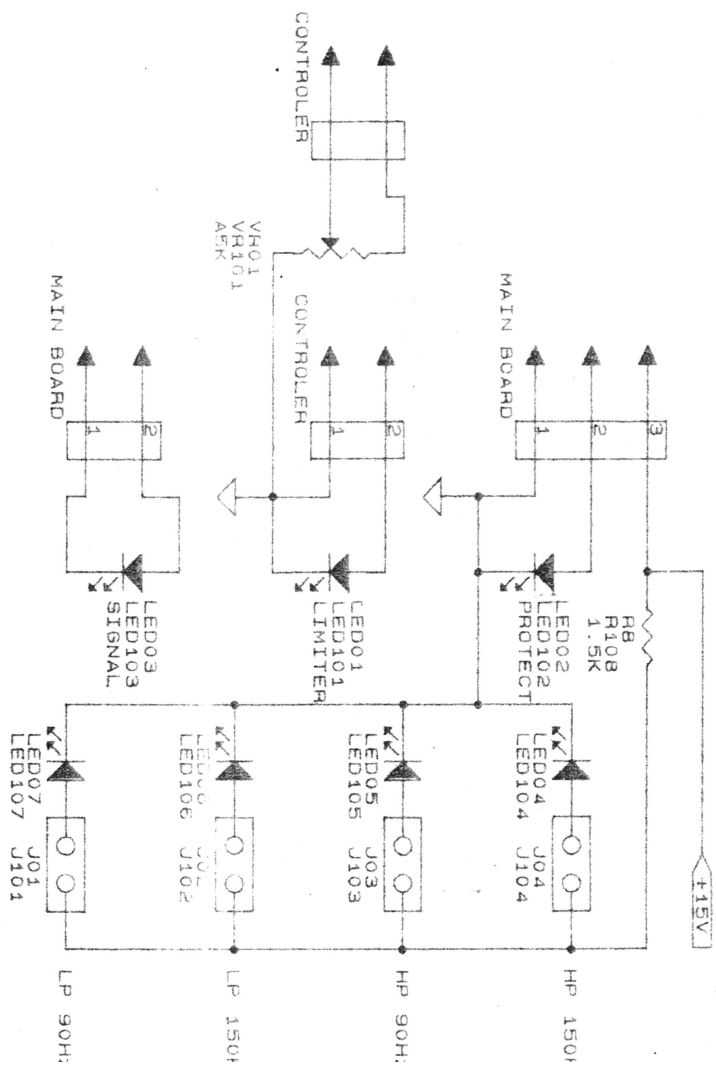
* INPUT MODULE OPTION *

1. LOW PASS FILTER 90HZ
2. LOW PASS FILTER 150HZ
3. HIGH PASS FILTER 90HZ

INPUT (CH2)

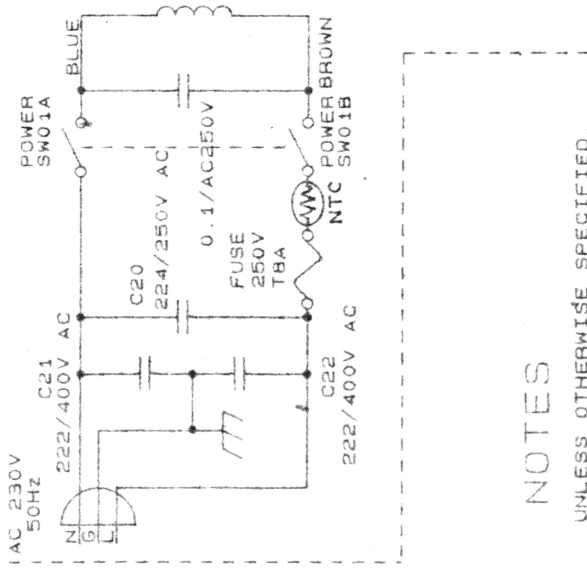
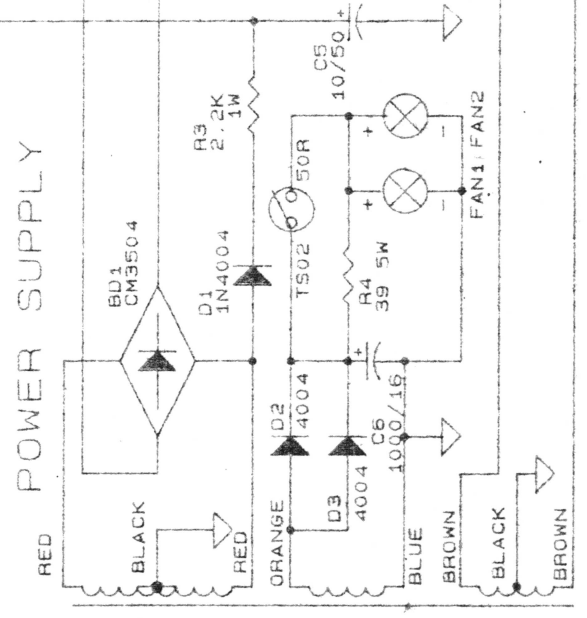
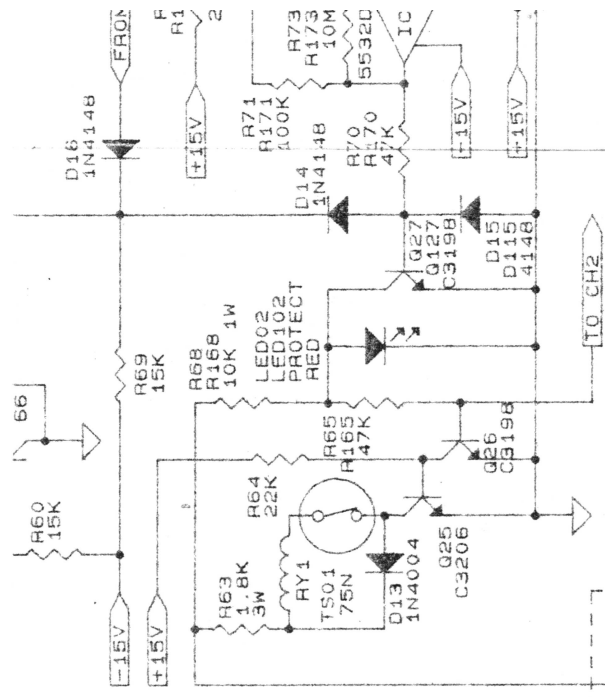
* INPUT MODULE OPTION *

VR & LED



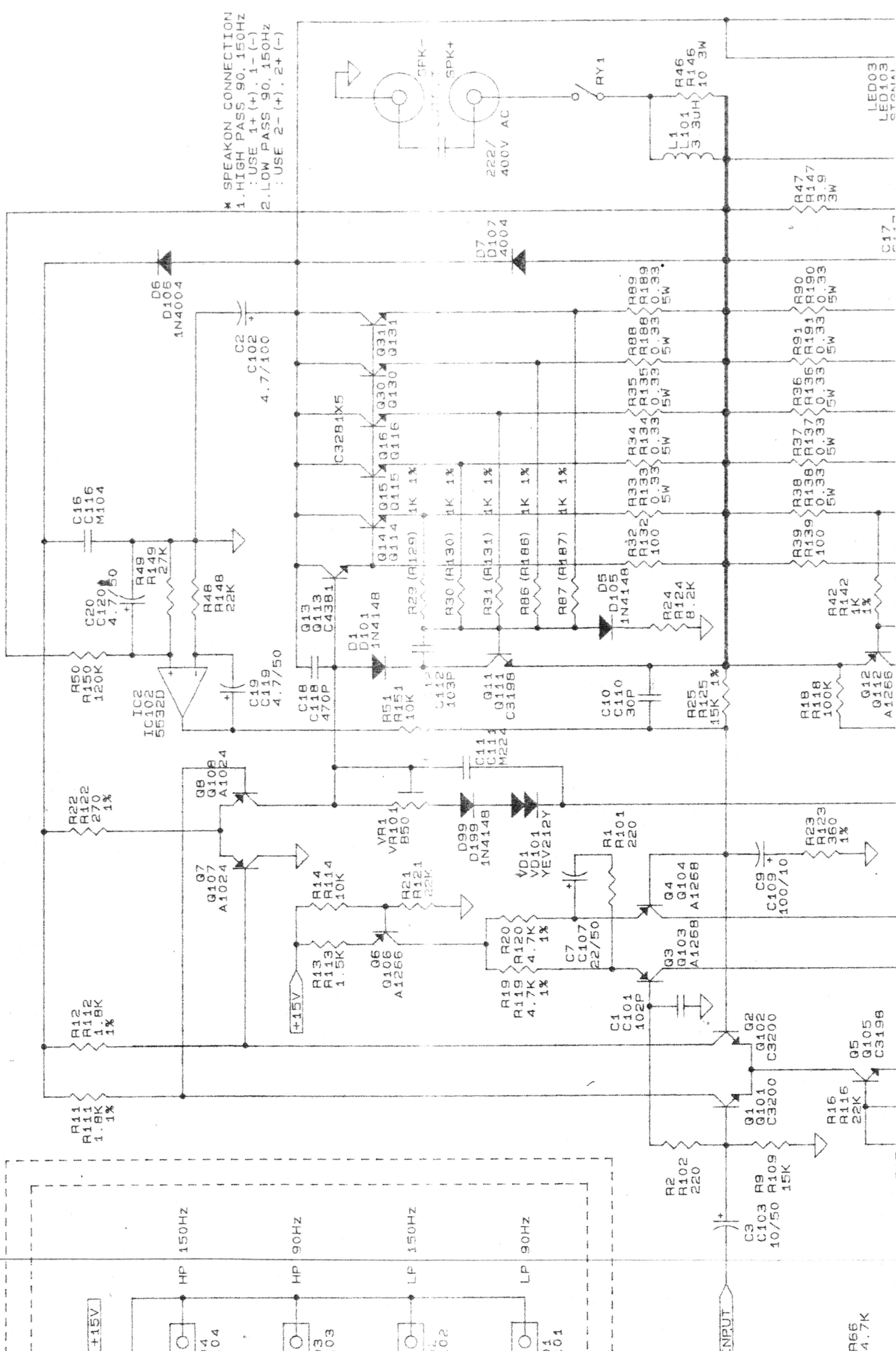
C9
C1
10/

1. LOW PASS FILTER 90HZ
2. LOW PASS FILTER 150HZ
3. HIGH PASS FILTER 90HZ
4. HIGH PASS FILTER 150HZ



NOTES

- UNLESS OTHERWISE SPECIFIED.
1. ALL RESISTERS IN OHMS, 1/4WATTS, ±5%
 2. ALL CAPACITORS IN UF/VOLTS
 3. ALL THE COMPONENTS WITH TWO NUMBERS ARE USED FOR BOTH CHANNELS.



* SPEAKER CONNECTION
 1. HIGH PASS 90.150HZ
 : USE 1+ (+), 1- (-)
 2. LOW PASS 90.150HZ
 : USE 2- (+), 2+ (-)

R66
4.7K

LED03
LED103
SIGNAL

C17

R17

R16
R116
22K

R15
R115
22K

R14
R114
10K

R13
R113
10K

R12
R112
1.8K

R11
R111
1.8K

R10
R110
220

R9
R109
15K

R8
R108
15K

R7
R107
220

R6
R106
22K

R5
R105
22K

R4
R104
22K

R3
R103
22K

R2
R102
220

R1
R101
220

R0
R100
220

R65
R105
4.7K

R64
R104
4.7K

R63
R103
4.7K

R62
R102
4.7K

R61
R101
4.7K

R60
R100
4.7K

R59
R99
5W

R58
R98
5W

R57
R97
5W

R56
R96
5W

R55
R95
5W

R54
R94
5W

R53
R93
5W

R52
R92
5W

R51
R91
5W

R50
R90
5W

R49
R89
5W

R48
R88
5W

R47
R87
5W

R46
R86
5W

R45
R85
5W

R44
R84
5W

R43
R83
5W

R42
R82
5W

R41
R81
5W

R40
R80
5W

R39
R79
5W

R38
R78
5W

R37
R77
5W

R36
R76
5W

R35
R75
5W

R34
R74
5W

R33
R73
5W

R32
R72
5W

R31
R71
5W

R30
R70
5W

R29
R69
5W

R28
R68
5W

R27
R67
5W

R26
R66
5W

R25
R65
5W

R24
R64
5W

R23
R63
5W

R22
R62
5W

R21
R61
5W

R20
R60
5W

R19
R59
5W

R18
R58
5W

R17
R57
5W

R16
R56
5W

R15
R55
5W

R14
R54
5W

R13
R53
5W

R12
R52
5W

R11
R51
5W

R10
R50
5W

R9
R49
5W

R8
R48
5W

R7
R47
5W

R6
R46
5W

R5
R45
5W

R4
R44
5W

R3
R43
5W

R2
R42
5W

R1
R41
5W

R0
R40
5W

R65
R105
4.7K

R64
R104
4.7K

R63
R103
4.7K

R62
R102
4.7K

R61
R101
4.7K

R60
R100
4.7K

R59
R99
5W

R58
R98
5W

R57
R97
5W

R56
R96
5W

R55
R95
5W

R54
R94
5W

R53
R93
5W

R52
R92
5W

R51
R91
5W

R50
R90
5W

R49
R89
5W

R48
R88
5W

R47
R87
5W

R46
R86
5W

R45
R85
5W

R44
R84
5W

R43
R83
5W

R42
R82
5W

R41
R81
5W

R40
R80
5W

R39
R79
5W

R38
R78
5W

R37
R77
5W

R36
R76
5W

R35
R75
5W

R34
R74
5W

R33
R73
5W

R32
R72
5W

R31
R71
5W

R30
R70
5W

R29
R69
5W

R28
R68
5W

R27
R67
5W

R26
R66
5W

R25
R65
5W

R24
R64
5W

R23
R63
5W

R22
R62
5W

R21
R61
5W

R20
R60
5W

R19
R59
5W

R18
R58
5W

R17
R57
5W

R16
R56
5W

R15
R55
5W

R14
R54
5W

R13
R53
5W

R12
R52
5W

R11
R51
5W

R10
R50
5W

R9
R49
5W

R8
R48
5W

R7
R47
5W

R6
R46
5W

R5
R45
5W

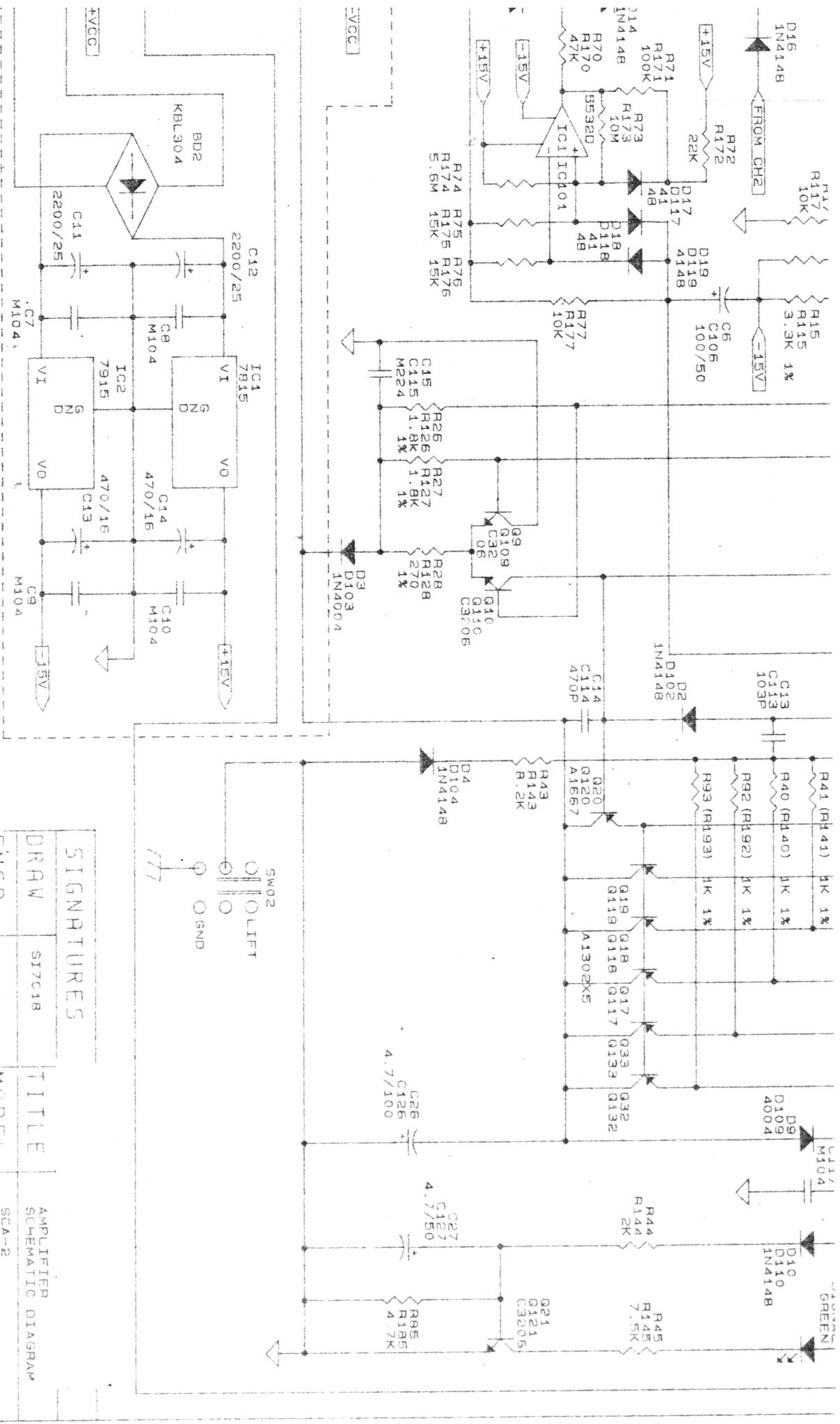
R4
R44
5W

R3
R43
5W

R2
R42
5W

R1
R41
5W

R0
R40
5W



SIGNATURES

DRAW	S17C18	TITLE	AMPLIFIER SCHEMATIC DIAGRAM
ENGR	<i>[Signature]</i>	MODEL	SCA-2 POWER S MAIN
CHECK	<i>[Signature]</i>	DW. NO	9622-501570
NO		TYPE	M N

[Handwritten signature]