

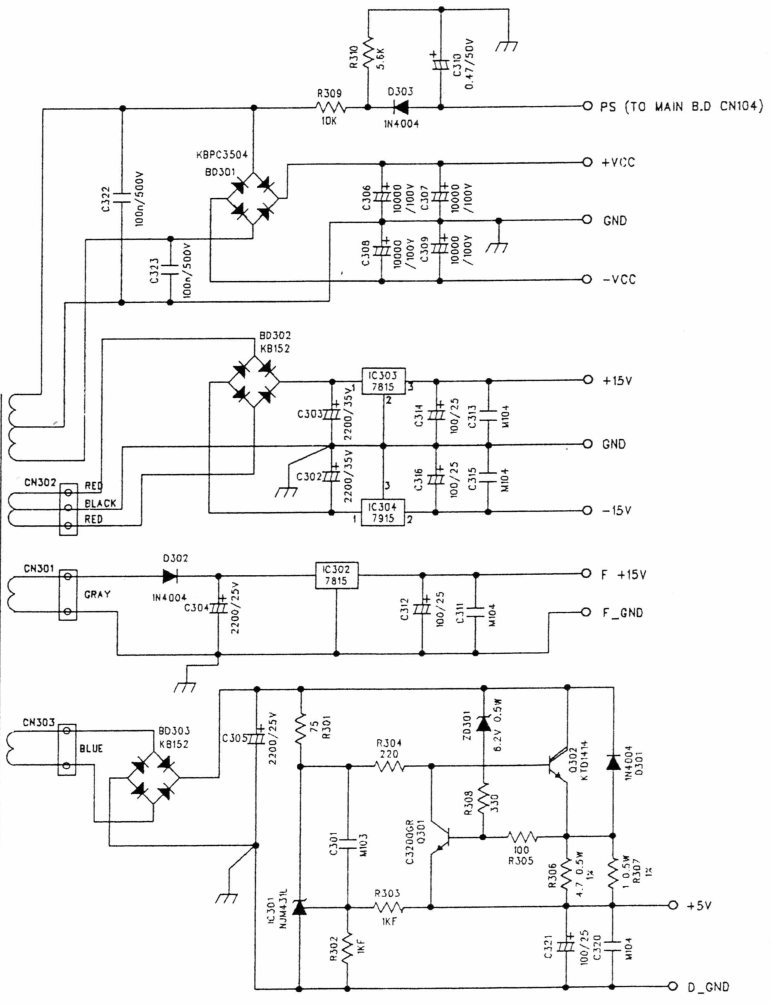
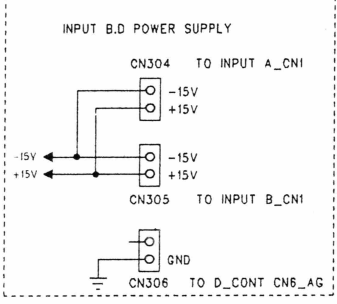
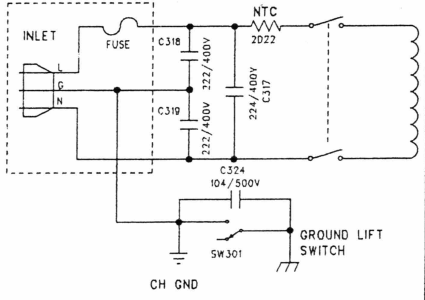
BIAS VOLTAGE
FROM COLD START

1

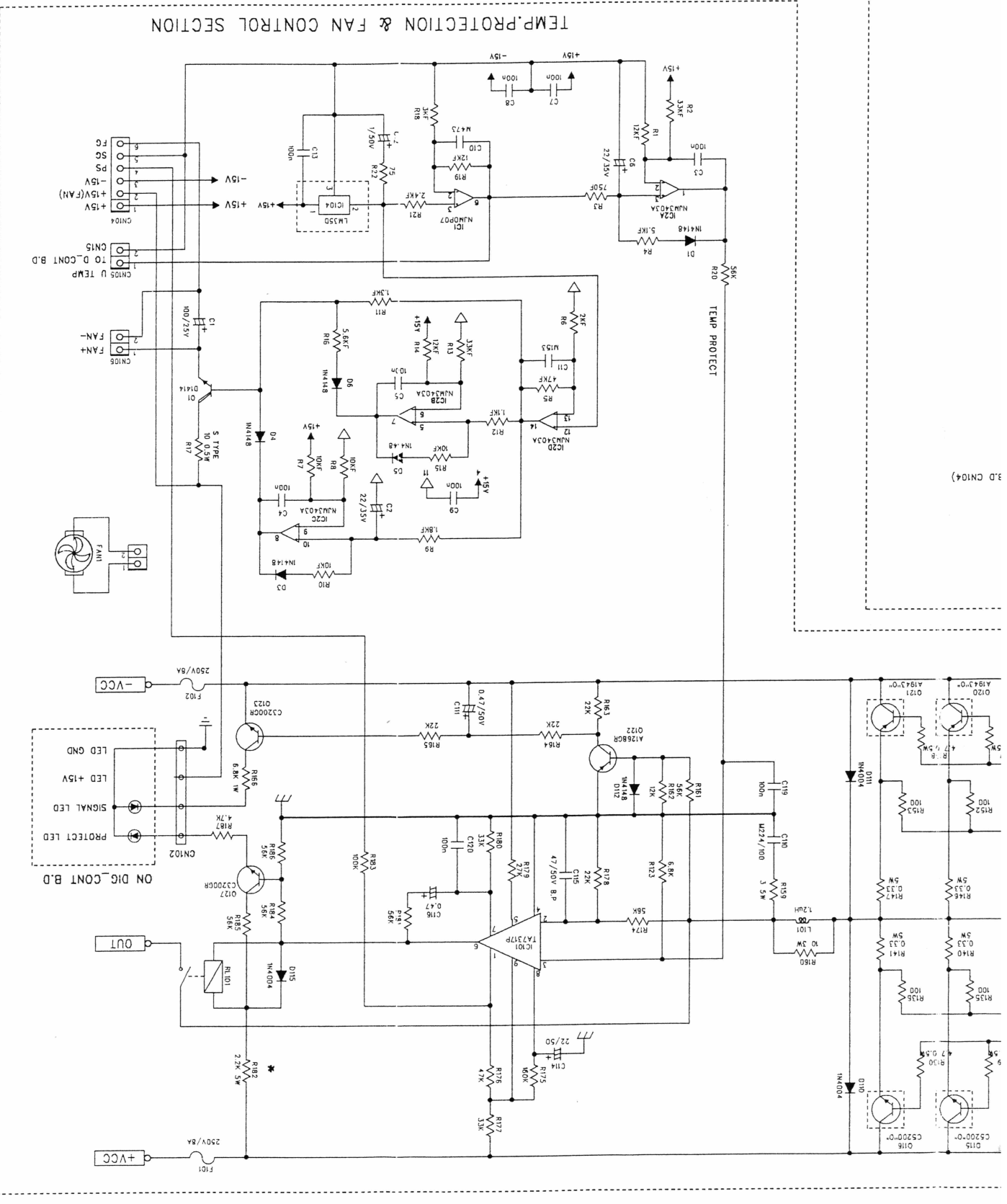
ACROSS R137,R138,R139,R140,R141
 ACROSS R143,R144,R145,R146,R147
 @ DC 1.8mV

CONDITION - NO LOAD
 NO SIGNAL
 AMP COLD

POWER SUPPLY B/D



MAIN BOARD & POWER SUPPLY BOARD		FILE: SCA2_MA	DATE: 06.21
---------------------------------	--	---------------	-------------



3.0 CN104)