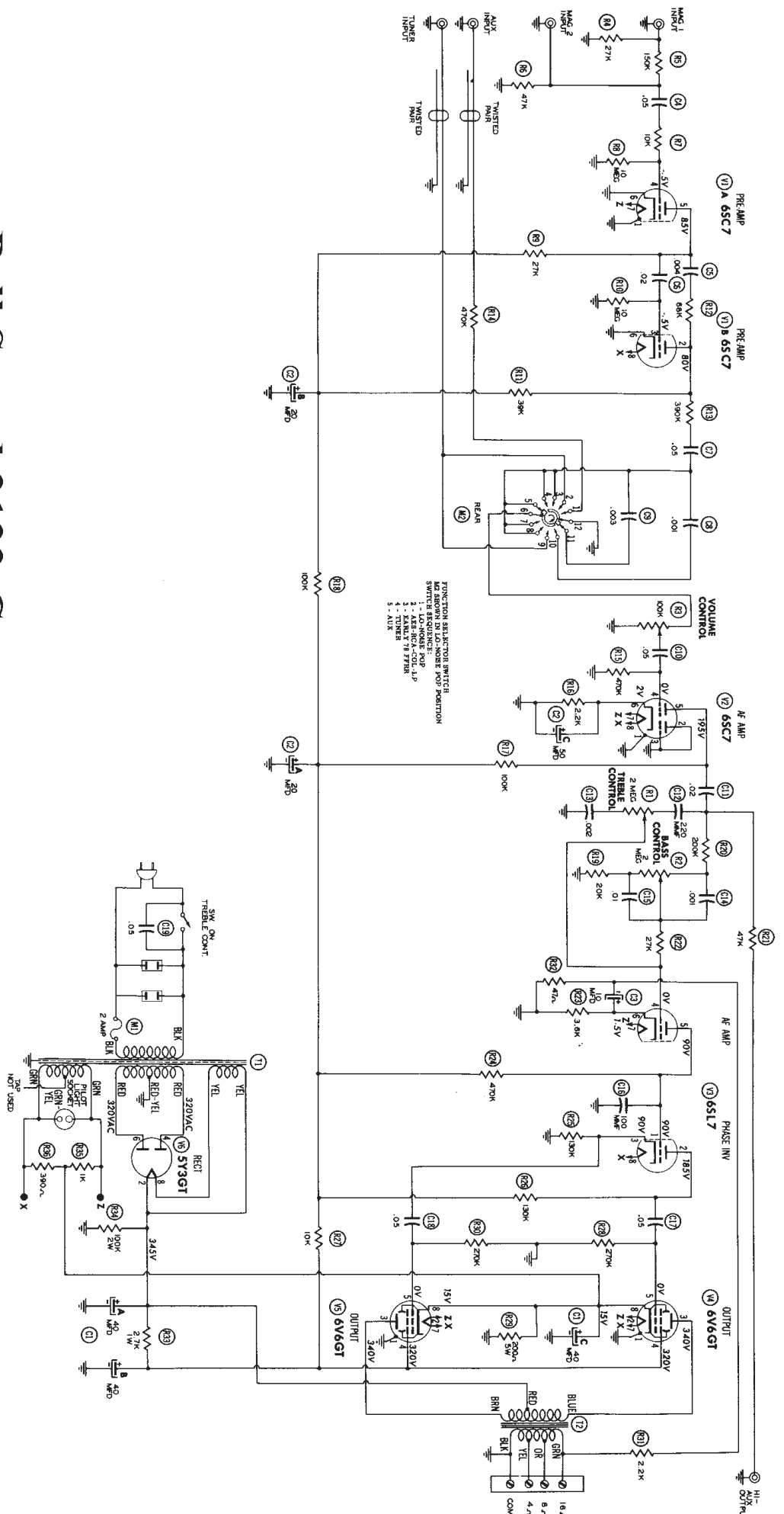


Bell Sound 2122-C



POSITIONS IN VOLUME CONTROL
 MAGNITUDE OF NOISE POT POSITION
 SWITCH RESISTANCE:
 1 - 100K
 2 - 200K
 3 - 500K
 4 - 1M
 5 - 2M

