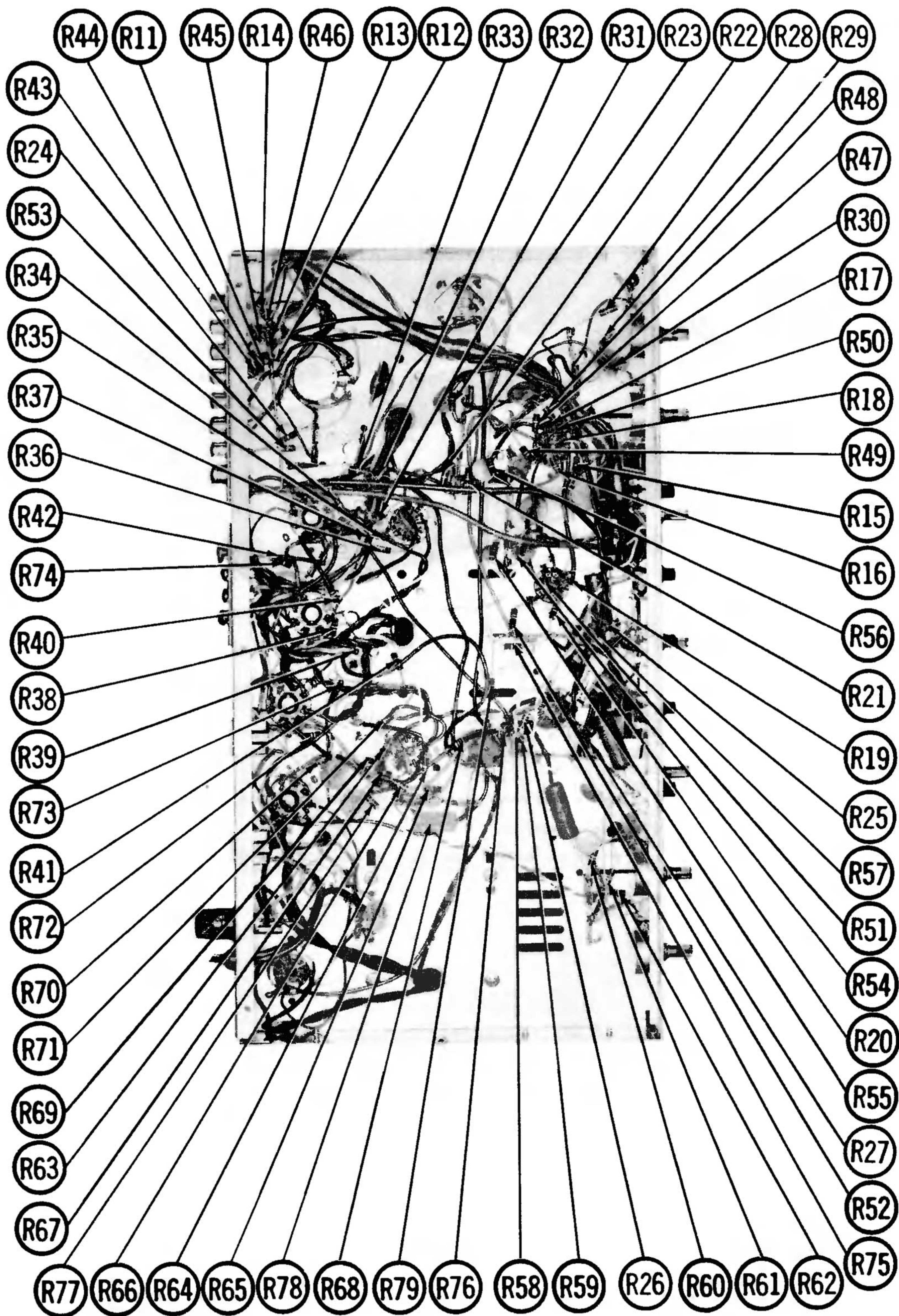


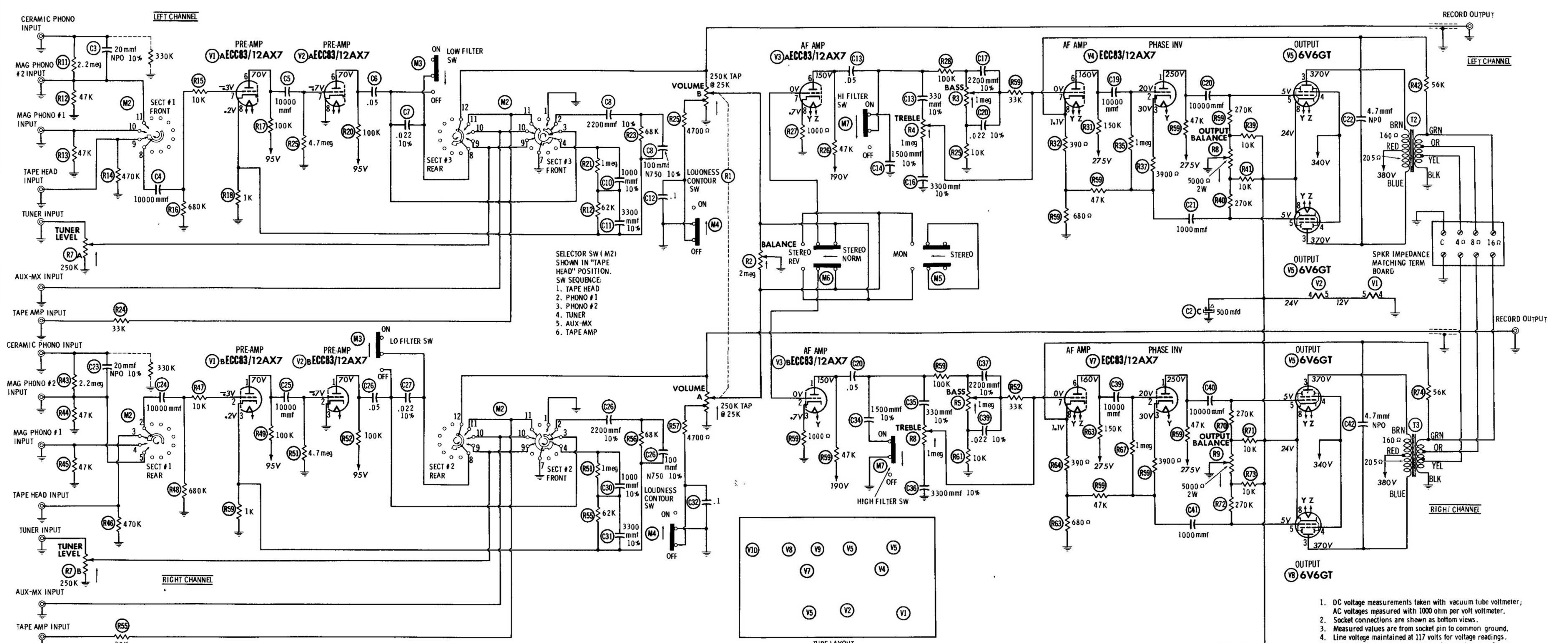
**BELL SOUND  
MODEL 2420**



<b>TRADE NAME</b>	Bell Sound Model 2420
<b>MANUFACTURER</b>	Bell Sound Div., Thompson Ramo Wooldridge Inc., 555 Marion Road, Columbus 7, Ohio
<b>TYPE SET</b>	AC Operated 10 Tube Stereo Amplifier
<b>POWER SUPPLY</b>	110 - 120 Volts AC, 60 Cycles
<b>RATING</b>	105 Watts, .94 Amp. @ 117 Volts AC



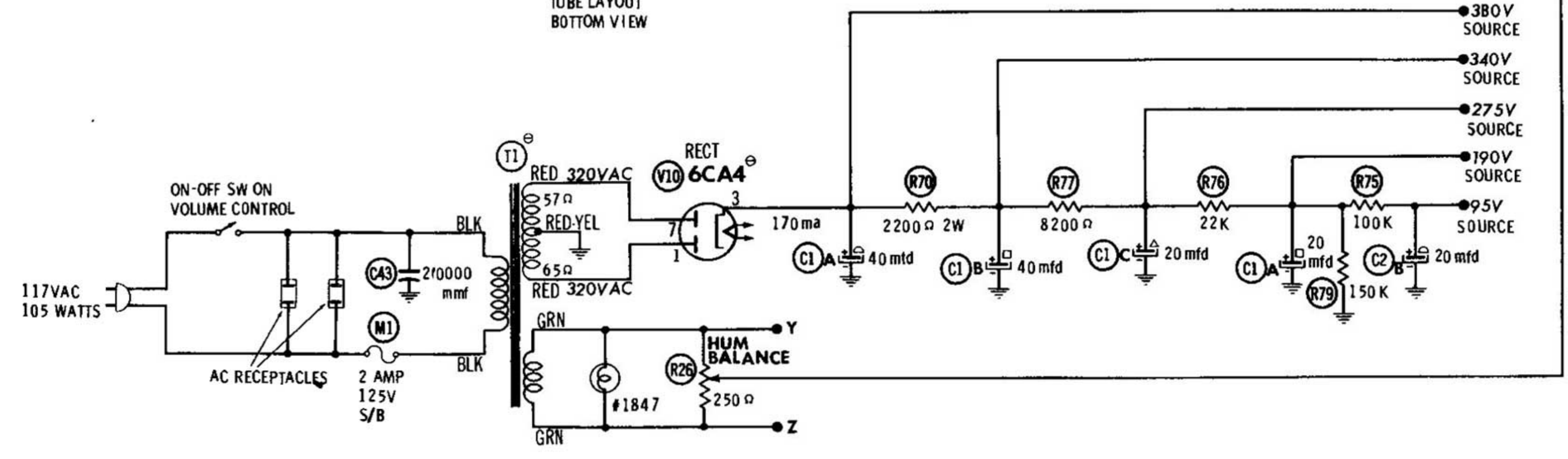
CHASSIS BOTTOM VIEW-FIXED RESISTOR IDENT.



RESISTANCE READINGS

ITEM	TUBE	Pin 1	Pin 2	Pin 3	Pin 4	Pin 5	Pin 6	Pin 7	Pin 8	Pin 9
V1	ECC83 12AX7	+230K	690K	1000Ω	0Ω	20Ω	+230K	690K	1000Ω	NC
V2	ECC83 12AX7	+230K	4.7meg	0Ω	40Ω	20Ω	+230K	4.7meg	0Ω	NC
V3	ECC83 12AX7	+80K	10Ω	1000Ω	80Ω	80Ω	+80K	10Ω	1000Ω	80Ω
V4	ECC83 12AX7	+57K	1meg	51K	80Ω	80Ω	+160K	40K	1000Ω	80Ω
V5	6V6GT	TP	80Ω	+160Ω	+2200Ω	270K	NC	80Ω	40Ω	
V6	6V6GT	TP	80Ω	+205Ω	+2200Ω	270K	NC	80Ω	40Ω	
V7	ECC83 12AX7	+57K	1meg	51K	80Ω	80Ω	+160K	40K	1000Ω	80Ω
V8	6V6GT	TP	80Ω	+160Ω	+2200Ω	270K	NC	80Ω	40Ω	
V9	6V6GT	TP	80Ω	+205Ω	+2200Ω	270K	NC	80Ω	40Ω	
V10	6CA4	65Ω	NC	+100K	80Ω	NC	57Ω	NC	NC	

↑ THIS READING WILL VARY DEPENDING UPON THE CONDITION OF THE ELECTROLYTIC IN THE CIRCUIT.  
 † MEASURED FROM PIN 3 OF V10. NC NO CONNECTION TP TIE POINT

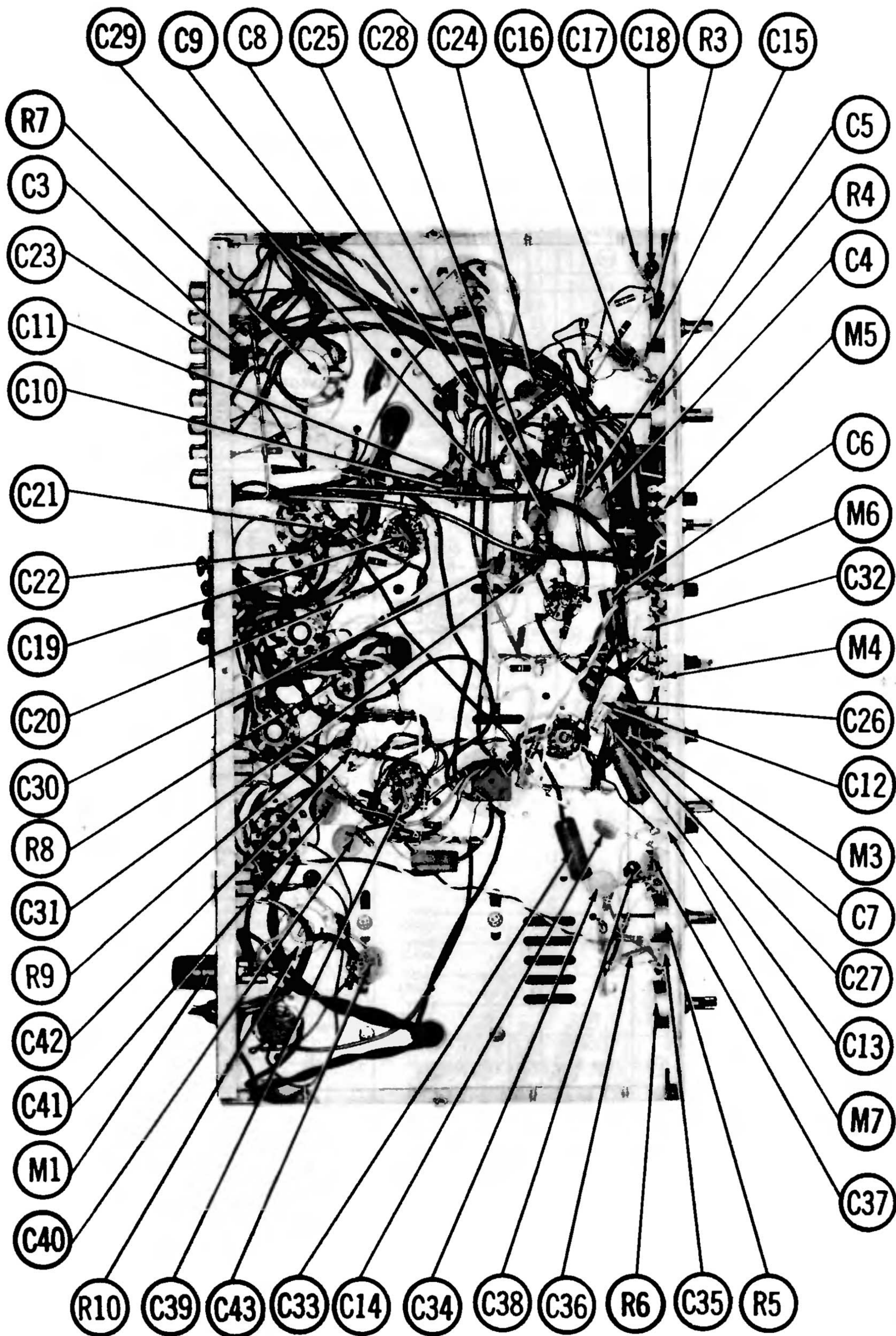


1. DC voltage measurements taken with vacuum tube voltmeter; AC voltages measured with 1000 ohm per volt voltmeter.
2. Socket connections are shown as bottom views.
3. Measured values are from socket pin to common ground.
4. Line voltage maintained at 117 volts for voltage readings.
5. Nominal tolerance of component values makes possible a variation of ±15% in voltage and resistance readings.
6. All controls at minimum, proper output load connected.

SEE PARTS LIST FOR ALTERNATE VALUE OR APPLICATION

DC COIL RESISTANCE VALUES UNDER ONE OHM NOT SHOWN ON SCHEMATIC DIAGRAM

ARROWS ON CONTROLS INDICATE CLOCKWISE ROTATION (CONTROL VIEWED FROM SHAFT END)



CHASSIS BOTTOM VIEW-CAPACITOR, MISC. & CONTROL IDENT.



# PARTS LIST AND DESCRIPTIONS (Continued)

## TRANSFORMER (POWER)

ITEM No.	RATING			REPLACEMENT DATA					NOTES
	PRI.	SEC. 1	SEC. 2	Bell Sound PART No.	Merit PART No.	Stancor PART No.	Thordarson PART No.	Triad PART No.	
T1	117V @ .84A	840VCT @ .170A DC	6.3V @ 6A	32B123 ①					① Part #32B124 is used in 50% version.

## TRANSFORMER (AUDIO OUTPUT)

ITEM No.	IMPEDANCE		REPLACEMENT DATA					NOTES
	PRI.	SEC.	Bell Sound PART No.	Merit PART No.	Stancor PART No.	Thordarson PART No.	Triad PART No.	
T2	9500Ω CT	16Ω Tap @ 8Ω, 4Ω	32B140			24S19		
T3	9500Ω CT	16Ω Tap @ 8Ω, 4Ω	32B140			24S19		

## FUSES

ITEM No.	TYPE	RATING	REPLACEMENT DATA					
			Bell Sound PART No.		LITTELFUSE PART No.		BUSS PART No.	
			FUSE	HOLDER	FUSE	HOLDER	FUSE	HOLDER
M1	3AG	3A 125V S/B	53A16	53A8	313002 (3AG 2A 125V) S/B	342001	MDL 2	HKP

## MISCELLANEOUS

ITEM No.	PART NAME	Bell Sound PART No.	NOTES
M2	Switch	43A82	Function Selector (Rotary Type)
M3	Switch	43A45	Lo-Filter (DPDT Slide Type)
M4	Switch	43A45	Loudness Contour (DPDT Slide Type)
M5	Switch	43A45	Mono-Stereo (DPDT Slide Type)
M6	Switch	43A45	Normal-Reverse (DPDT Slide Type)
M7	Switch	43A45	Hi-Filter (DPDT Slide Type)

## CABINETS & CABINET PARTS

(When Ordering Cabinets & Cabinet Parts, Specify Model, Chassis & Color)

NAME	PART NO.	DESCRIPTION
Knob	84A59	With Indicator; Volume, Balance
Knob	84A61	Tone
Knob	84A70	Function Selector
Panel	72D437	Front

## WIRING DATA

General-use Unshielded Hook-up Wire ..... Use BELDEN No. 8530 (Solid) Available in Ten Colors  
8524 (Stranded) Available in Ten Colors  
Power Cord ..... Use BELDEN No. 1765-B (6 Ft. Length)  
1725-K (7½ Ft. Length)

## CHASSIS—TOP VIEW

