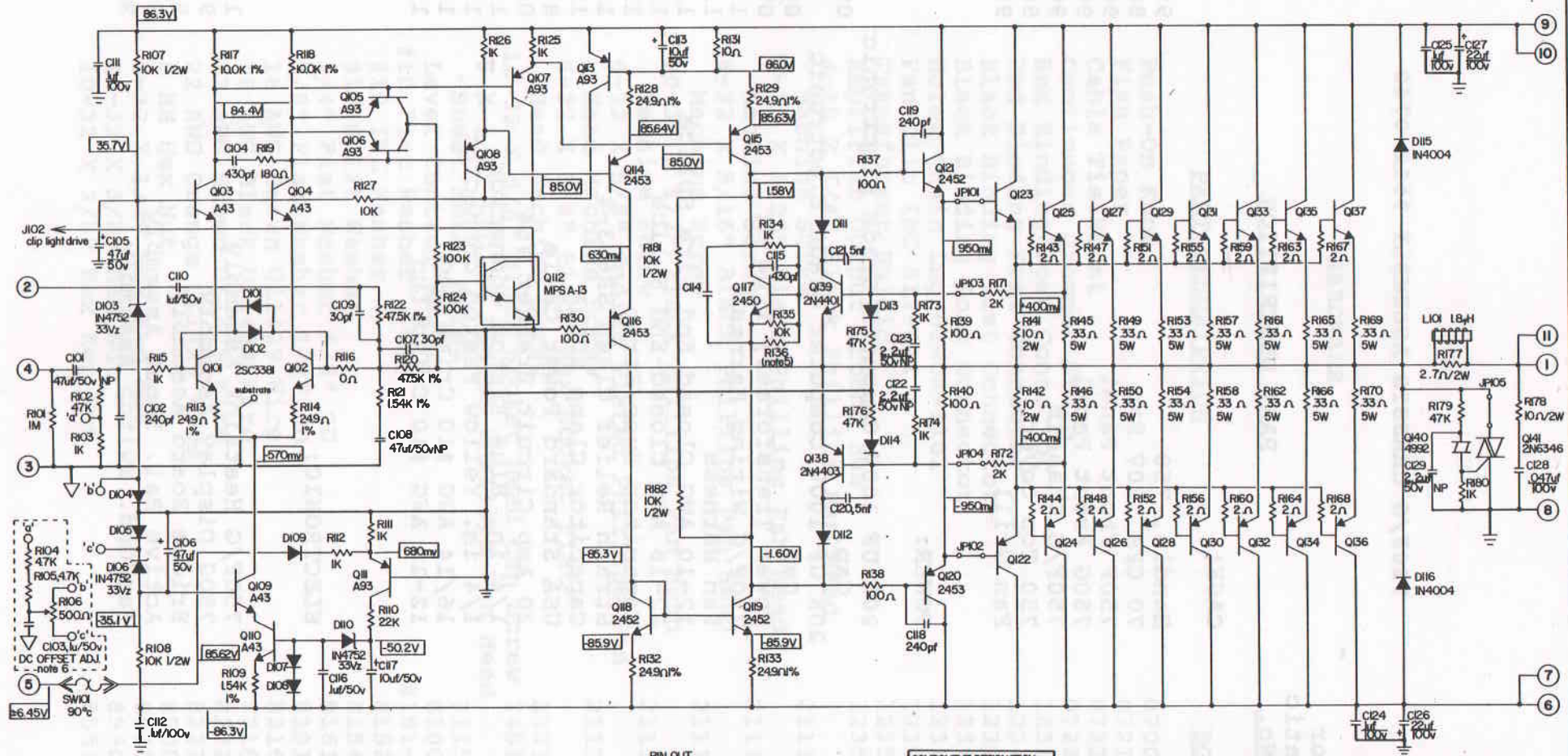


REVISIONS			
LTR	DESCRIPTION	DATE	APPROVED



- 8) [XXXV] DC VOLTAGES REFERENCED TO GROUND
 - 7) ALL RESISTORS 1/4 WATT EXCEPT AS NOTED
 - 6) DC OFFSET CKT. FACTORY OPTION
 - 5) R156 FACTORY SELECTED FOR 400mΩ ACROSS R141 or R142
 - 4) Q101, Q102 are DUAL MATCHED PAIR XSTR
 - 3) Q123, R125, R129, R133, R135, R137 are 2SC3858 POWER XSTR
 - 2) Q122, R124, R126, R128, R130, R132, R134, R136 are 2SA1494 POWER XSTR
 - 1) ALL DIODES IN4148 EXCEPT AS NOTED.
- NOTES: UNLESS OTHERWISE SPECIFIED.

PIN OUT	
J101-1	OUTPUT
2	BRIDGE INPUT
3	SIGNAL GROUND
4	SIGNAL INPUT
5	TURN-ON/FAST OFF
6	(V+) SUPPLY
7	(V-) SUPPLY
8	POWER GROUND
9	(V+) SUPPLY
10	(V-) SUPPLY
11	OUTPUT

J102 CLIP LIGHT DRIVE

COMPONENT DESIGNATION		NUMBERS LAST/NOT USED
TYPE	LAST DESIGNATION NUMBER	
R	R102	R04, R05, R06, R63 THRU R170
C	C29	C14
D	D10	
Q	Q11	Q15, Q16, Q17, Q18
J	J102	

UNLESS OTHERWISE SPECIFIED
DIMENSIONS AND TOLERANCING PER USAS Y14.5
DIMENSIONS ARE IN INCHES AND APPLY AFTER PLATING.
TOLERANCE ON DECIMALS:
.XX = ± .005 .XXX = ± .002
TOLERANCE ON ANGLES = ± 0° 30'
BREAK SHARP EDGES 310 MAX.
SURFACE ROUGHNESS 125/

MODEL 750 F/G	
DATE	8-17-88
DESIGNED BY	S.W. GILBERT
CHECKED BY	S.W. GILBERT
PROJECT FROM	2-11-88

	BOW SYSTEMS 13135 SOUTH FULCON AVE. HAWTHORNE, CA 90250 (213) 773-8050	
	TITLE POWER AMPLIFIER SCHEMATIC, MODELS GTA, GTB, 750 F/G	
SIZE D	DRAWING NUMBER 9008-0760	REV -
SCALE	SHEET 1 OF 3	