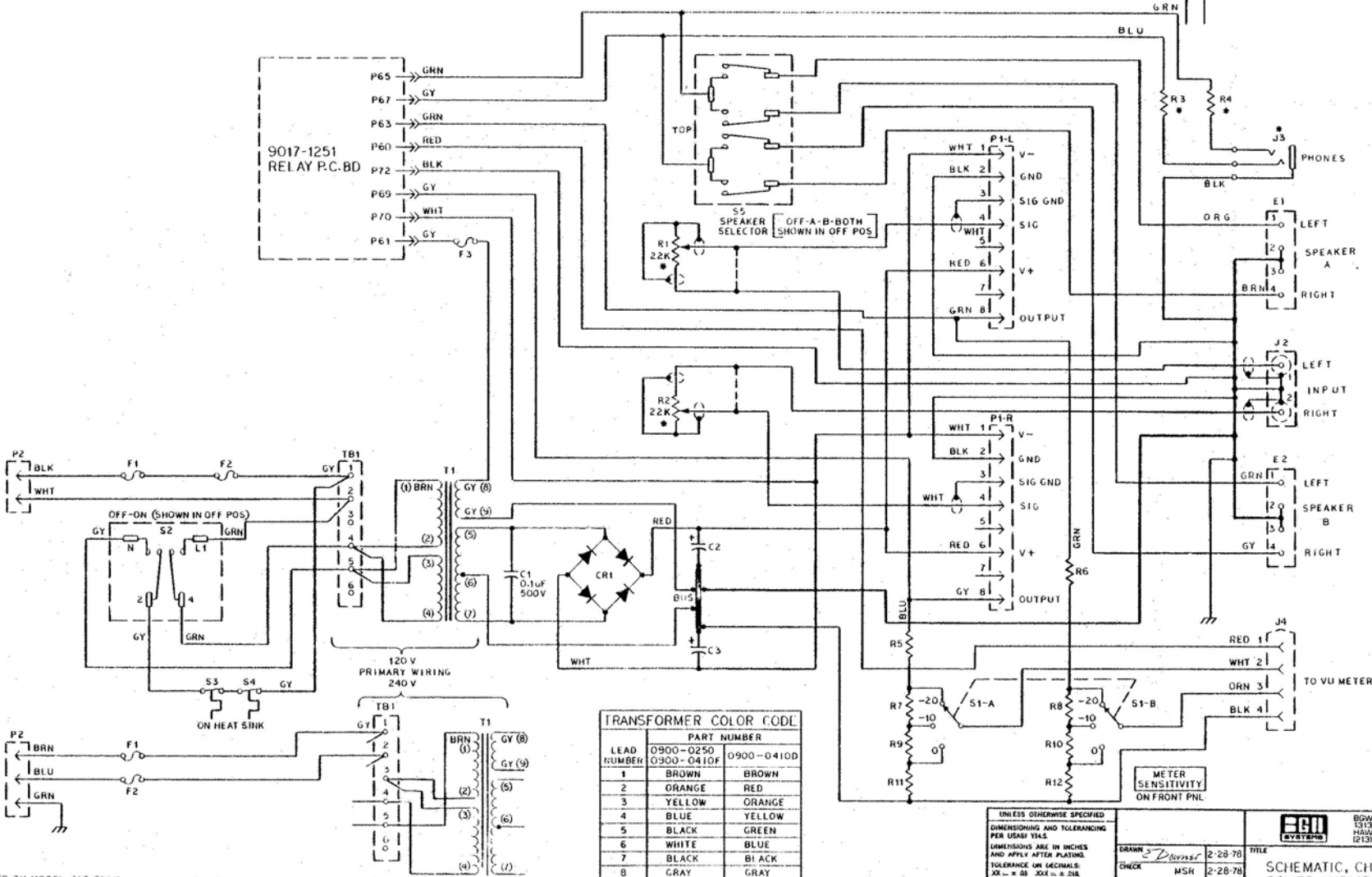


9017-1251
RELAY P.C. BD



TRANSFORMER COLOR CODE

LEAD NUMBER	PART NUMBER	PART NUMBER
1	0900-0250	0900-0410D
2	BROWN	BROWN
3	ORANGE	RED
4	YELLOW	ORANGE
5	BLUE	YELLOW
6	BLACK	GREEN
7	WHITE	BLUE
8	BLACK	BLACK
9	GRAY	GRAY

3 - USED ON MODEL 410 ONLY.
2 - CHECK PARTS LIST FOR VALUES OF UNMARKED COMPONENTS.
1 - ALL RESISTORS ±5%, 1/2W, EXCEPT AS SHOWN.

NOTES: UNLESS OTHERWISE SPECIFIED.

UNLESS OTHERWISE SPECIFIED
DIMENSIONING AND TOLERANCING PER USAS1 Y14.5
DIMENSIONS ARE IN INCHES AND APPLY AFTER PLATING.
TOLERANCE ON DECIMALS:
XX - ±.03 XX - ±.02
TOLERANCE ON ANGLES - ±.0° 30'
BREAK SHARP EDGES .030 MAX.
SURFACE ROUGHNESS 125

DRAWN	D. Dwyer	2-28-78
CHECK	MSR	2-28-78
PROJECT ENGR	MSR	2-28-78

EGM SYSTEMS
BOW SYSTEMS
13130 SOUTH FURCON AVE.
HAWTHORNE, CA 90250
(213) 974-8500

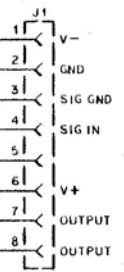
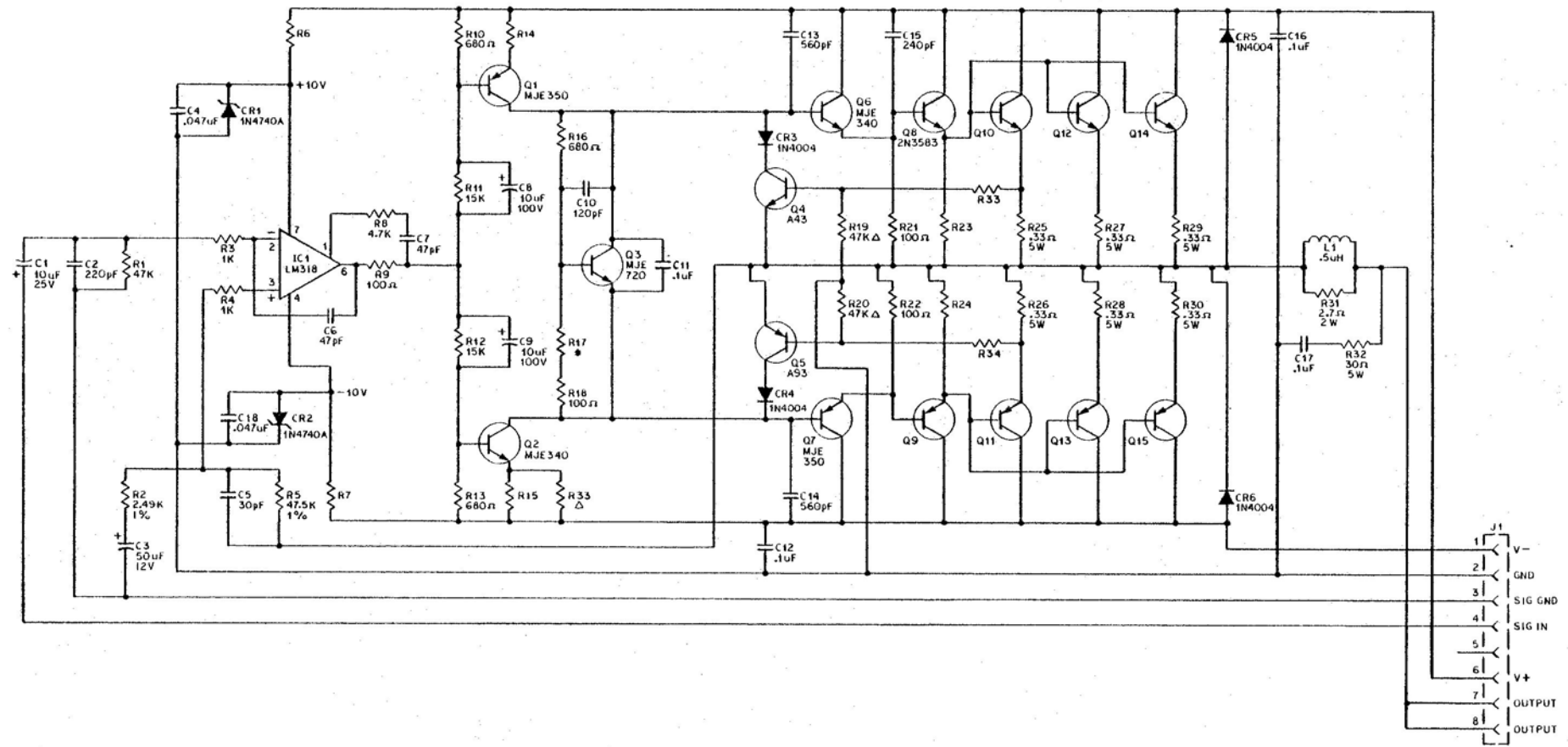
SCHEMATIC, CHASSIS WIRING, POWER AMPLIFIER

SIZE **D** FORM **DRAWING NUMBER** MFRM-07001
SCALE NO. N.E. SHEET 1 OF 1

FORM MFRM-07001

DO NOT SCALE DRAWING

REVISIONS			
LIB	DESCRIPTION	DATE	APPROVED



FORM MFRM-06901

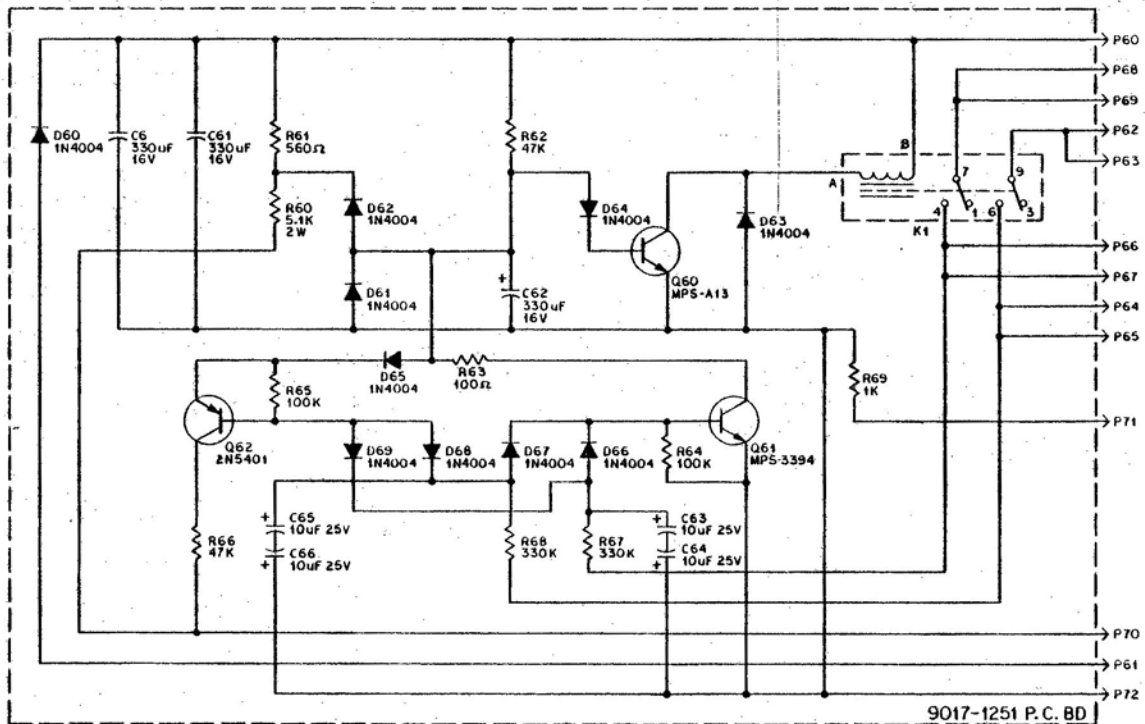
- 4 - CHECK PARTS LIST FOR VALUES OF UNMARKED COMPONENTS.
- Δ 3 - MAY BE SELECTED FOR OPTIMUM OPERATION.
- 2 - R17 TO BE SELECTED FOR 370 mA THRU EMITTER RESISTOR R23 OR R24.
- 1 - ALL RESISTORS 15%, 1/2W, EXCEPT AS SHOWN.

NOTES: UNLESS OTHERWISE SPECIFIED.

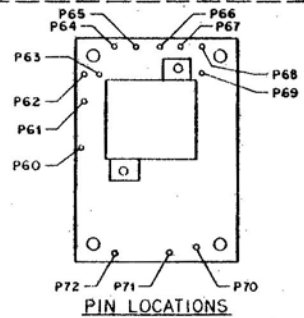
UNLESS OTHERWISE SPECIFIED DIMENSIONING AND TOLERANCING PER USAS1 Y14.5 DIMENSIONS ARE IN INCHES AND APPLY AFTER PLATING. TOLERANCE ON DECIMALS: XX = ±.03 XXX = ±.010 TOLERANCE ON ANGLES: ± 0° 30' BREAK SHARP EDGES AND MAX. SURFACE ROUGHNESS 125				BGW SYSTEMS 13130 SOUTH YUKON AVE HAWTHORNE, CA 90250 (213) 973-9090	
DRAWN	8-27-77	TITLE			
CHECK	8-29-77	SCHEMATIC, HEAT SINK MODULE, POWER AMPLIFIER			
PROJECT	8-29-77	FORM DRAWING NUMBER			
SIZE		FORM		DRAWING NUMBER	
D		MFRM-06901		REV	
SCALE NONE		SHEET		1 OF 1	

DO NOT SCALE DRAWING

REVISIONS			
LTR	DESCRIPTION	DATE	APPROVED



9017-1251 P.C. BD



1 - ALL RESISTORS ±5%, 1/2W, EXCEPT AS SHOWN.

NOTES: UNLESS OTHERWISE SPECIFIED.

UNLESS OTHERWISE SPECIFIED		TITLE	
DIMENSIONING AND TOLERANCING PER USAS1 Y14.5.		SCHEMATIC, RELAY BOARD, POWER AMPLIFIER	
DIMENSIONS ARE IN INCHES AND APPLY AFTER PLATING.		DATE	REV
TOLERANCE ON DECIMALS:		10-24-78	
JXX ± .03 JXX ± .018		CHECK	MSR
TOLERANCE ON ANGLES ± 9° MIN		PROJECT ENGR	MSR
BREAK SHARP EDGES TO MAX SURFACE ROUGHNESS 125		SCALE	
		DRAWING NUMBER	
		MFRM-08302	
		SHEET OF	

FORM MFRM-08302



BDW SYSTEMS
13130 SOUTH YUKON AVE
HAWTHORNE, CA 90250
(213) 873-8050

DRAWN: MSR
CHECK: MSR
PROJECT ENGR: MSR

DATE: 10-24-78

SIZE: D
SCALE:

DO NOT SCALE DRAWING